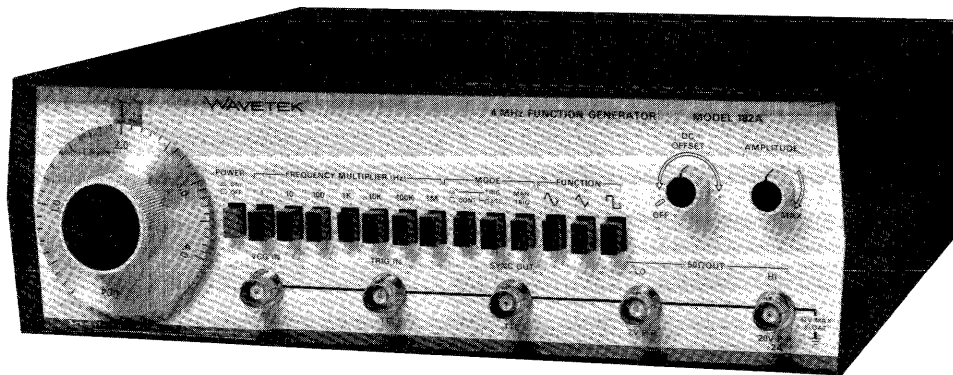


INSTRUCTION MANUAL

**MODEL 182A
4 MHz FUNCTION
GENERATOR**



WAVETEK

INSTRUCTION MANUAL
MODEL 182A
4 MHz
FUNCTION GENERATOR

© - 1982 - Wavetek

THIS DOCUMENT CONTAINS INFORMATION PROPRIETARY TO WAVETEK AND IS SOLELY FOR INSTRUMENT OPERATION AND MAINTENANCE. THE INFORMATION IN THIS DOCUMENT MAY NOT BE DUPLICATED IN ANY MANNER WITHOUT THE PRIOR APPROVAL IN WRITING OF WAVETEK.

WAVETEK®

WAVETEK SAN DIEGO, INC.

9045 Balboa Ave., San Diego, CA 92123

P. O. Box 85265, San Diego, CA 92138

Tel 619/279-2200 TWX 910/335-2007

Manual Revision: 3/86

WARRANTY

Wavetek warrants that all products manufactured by Wavetek conform to published Wavetek specifications and are free from defects in materials and workmanship for a period of one (1) year from the date of delivery when used under normal operating conditions and within the service conditions for which they were furnished.

The obligation of Wavetek arising from a Warranty claim shall be limited to repairing, or at its option, replacing without charge, any product which in Wavetek's sole opinion proves to be defective within the scope of the Warranty. In the event Wavetek is not able to modify, repair or replace non-conforming defective parts or components to a condition as warranted within a reasonable time after receipt thereof, Buyers shall be credited for their value at the original purchase price.

Wavetek must be notified in writing of the defect or nonconformity within the Warranty period and the affected product returned to Wavetek's factory or to an authorized service center within (30) days after discovery of such defect or nonconformity.

For product warranties requiring return to Wavetek, products must be returned to a service facility designated by Wavetek. Buyer shall prepay shipping charges, taxes, duties and insurance for products returned to Wavetek for warranty service. Except for products returned to Buyer from another country, Wavetek shall pay for return of products to Buyer.

Wavetek shall have no responsibility hereunder for any defect or damage caused by improper storage, improper installation, unauthorized modification, misuse, neglect, inadequate maintenance, accident or for any product which has been repaired or altered by anyone other than Wavetek or its authorized representative and not in accordance with instructions furnished by Wavetek.

Exclusion of Other Warranties

The Warranty described above is Buyer's sole and exclusive remedy and no other warranty, whether written or oral, is expressed or implied. Wavetek specifically disclaims the implied warranties of merchantability and fitness for a particular purpose. No statement, representation, agreement, or understanding, oral or written, made by an agent, distributor, representative, or employee of Wavetek, which is not contained in the foregoing Warranty will be binding upon Wavetek, unless made in writing and executed by an authorized Wavetek employee. Under no circumstances shall Wavetek be liable for any direct, indirect, special, incidental, or consequential damages, expenses, losses or delays (including loss of profits) based on contract, tort, or any other legal theory.

CONTENTS


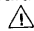
SECTION 1	GENERAL DESCRIPTION	
1.1	THE MODEL 182A	1-1
1.2	SPECIFICATIONS	1-1
1.2.1	Versatility	1-1
1.2.2	Frequency Precision	1-1
1.2.3	Amplitude Precision	1-1
1.2.4	Waveform Characteristics	1-2
1.2.5	General	1-2
SECTION 2	INSTALLATION	
2.1	MECHANICAL INSTALLATION	2-1
2.2	ELECTRICAL INSTALLATION	2-1
2.2.1	Power Connection	2-1
2.2.2	Signal Connections	2-1
2.3	ELECTRICAL ACCEPTANCE CHECK	2-1
2.4	CHANGING THE OUTPUT IMPEDANCE	2-2
SECTION 3	OPERATION	
3.1	CONTROLS AND CONNECTIONS	3-1
3.2	OPERATION	3-2
3.2.1	Signal Termination	3-2
3.2.2	Manual Function Generator Operation	3-2
3.2.3	Voltage Controlled Function Generator Operation	3-2
3.2.4	Waveforms	3-3
SECTION 4	CIRCUIT DESCRIPTION	
4.1	FUNCTIONAL BLOCK DIAGRAM ANALYSIS	4-1
SECTION 5	ALIGNMENT	
5.1	FACTORY REPAIR	5-1
5.2	REQUIRED TEST EQUIPMENT	5-1
5.3	REMOVING GENERATOR COVERS	5-1
5.4	ALIGNMENT	5-1
SECTION 6	TROUBLESHOOTING	
6.1	FACTORY REPAIR	6-1
6.2	TROUBLESHOOTING TABLES	6-1
6.3	TROUBLESHOOTING INDIVIDUAL COMPONENTS	6-1
6.3.1	Transistor	6-1
6.3.2	Diode	6-1
6.3.3	Operational Amplifier	6-1
6.3.4	FET Transistor	6-1
6.3.5	Capacitor	6-1
6.4	GENERAL INSTRUCTIONS	6-2
SECTION 7	PARTS AND SCHEMATICS	
7.1	DRAWINGS	7-1
7.2	ORDERING PARTS	7-1
7.3	ADDENDA	7-1

SAFETY

This instrument is wired for earth grounding via the facility power wiring. Do not bypass earth grounding with two wire extension cords, plug adapters, etc.

BEFORE PLUGGING IN the instrument, comply with installation instructions.

MAINTENANCE may require power on with the instrument covers removed. This should be done only by qualified personnel aware of the electrical hazards.

The instrument power receptacle is connected to the instrument safety earth terminal with a green/yellow wire. Do not alter this connection. (Reference:  or  stamped inside the rear panel near the safety earth terminal.)

WARNING notes call attention to possible injury or death hazards in subsequent operations.

CAUTION notes call attention to possible equipment damage in subsequent operations.

SECTION 1

GENERAL DESCRIPTION

1.1 THE MODEL 182A

Wavetek Model 182A Four MHz Function Generator is a precision source of sine, triangle and square waveforms plus dc voltage. All are front panel variable from 0.004 Hz to 4 MHz and can be externally modulated or swept over a 1000:1 range. Output can be continuous or the generator can be triggered or gated by an external signal or a front panel switch. Amplitude of the waveforms is variable from 10V peak-to-peak into 50 Ω down to 30 mV p-p. DC reference of the waveforms can be offset positively or negatively.

The main waveform output is 20V peak-to-peak maximum and can be varied over a 30 dB range. A second waveform at 2V peak-to-peak maximum (20 dB attenuation) and a TTL level square at generator frequency are auxiliary outputs. Inputs are provided for external voltage controlled generator frequency (VCG) and for triggering and gating the generator.

1.2 SPECIFICATIONS

1.2.1 Versatility

Waveforms

Sine \sim , triangle \wedge , square \square , TTL pulse \square and dc.

Operational Modes

Continuous: Generator runs continuously at selected frequency.

Triggered: Generator is quiescent until triggered by external signal or manual trigger, then generates one complete waveform cycle at selected frequency.

Gated: As triggered mode, except output continues for duration of gate signal. Last waveform started is completed.

Frequency Range

0.004 Hz to 4 MHz in 7 overlapping decade ranges:

$\times 1$	0.004 Hz to 4 Hz
$\times 10$	0.04 Hz to 40 Hz
$\times 100$	0.4 Hz to 400 Hz
$\times 1K$	4 Hz to 4 kHz
$\times 10K$	40 Hz to 40 kHz
$\times 100K$	400 Hz to 400 kHz
$\times 1M$	4 kHz to 4 MHz

Function Output

\sim , \wedge , \square selectable and variable to 20V p-p (10V p-p into 50 Ω) HI output, and to 2V p-p (1V p-p into 50 Ω) LO output. Both outputs varied with a 30 dB vernier. Peak output current is 100 mA maximum (HI output) into 50 Ω (200 mA peak into a short circuit). Source impedance is 50 Ω .

DC Offset and DC Output

Waveform offset and dc output selectable and variable thru HI and LO BNC outputs. DC output selectable by not selecting a waveform function. HI output is $\pm 10V$ max ($\pm 5V$ into 50 Ω) as offset or Vdc output. Signal-peak plus offset limited to $\pm 10V$ ($\pm 5V$ into 50 Ω). LO output is $\pm 1V$ max ($\pm 0.5V$ into 50 Ω) as is signal-peak plus offset limit. DC offset plus waveform attenuated proportionately at LO (-20 dB) output.

TTL Pulse Output

TTL pulse (50% duty cycle) at generator frequency. Drives up to 20 TTL loads.

VCG — Voltage Controlled Generator

Up to 1000:1 frequency change with external 0 to $\pm 4V$ signal. Upper and lower frequencies limited to maximum and minimum of selected range.

Slew Rate: 2% of range per μs .

Linearity:

$\pm 0.5\%$ thru $\times 100K$ range; $\pm 2\%$ on $\times 1M$ range.

Input Impedance: 2 k Ω .

Trigger and Gate

Input: TTL compatible levels.

Pulse Width: 50 ns minimum.

Repetition Rate: 4 MHz maximum.

1.2.2 Frequency Precision

Dial Accuracy

$\pm 5\%$ of full scale.

Time Symmetry

Square wave variation from 0.2 to 4.0 on dial less than: $\pm 1\%$ to 100 kHz; $\pm 5\%$ to 4 MHz.

1.2.3 Amplitude Precision

Sine variation with frequency less than:

± 0.2 dB on all ranges through $\times 100K$; ± 1.0 dB to 4 MHz.

1.2.4 Waveform Characteristics

Sine Distortion

Less than:
0.5% on $\times 1K$ and $\times 10K$ ranges; 1% on $\times 1$, $\times 10$,
 $\times 100$ and $\times 100K$ ranges. All harmonics 25 dB below
fundamental on $\times 1M$ range.

Triangle Linearity

Greater than 99% to 200 kHz.

Square Wave Rise and Fall Time

At HI output, less than 50 ns for 10V p-p output into
50 Ω termination.

1.2.5 General

Environmental

Specifications apply at 25°C \pm 5°C. Instrument will
operate from 0°C to 50°C ambient temperatures.

Dimensions

28.6 cm (11 ¼ in.) wide; 8.9 cm (3½ in.) high; 26.7
(10½ in.) deep.

Weight

2.7 kg (6 lb) net; 4.5 kg (10 lb) shipping.

Power

90 to 126V or 198 to 252V (specify); 48 to 66 Hz; less
than 15 watts.

NOTE

*All specifications apply for dial between 0.2
and 4.0; amplitude at 10V p-p from HI out-
put into 50 Ω termination.*

SECTION 2

INSTALLATION

2.1 MECHANICAL INSTALLATION

After unpacking the instrument, visually inspect all external parts for possible damage to connectors, surface areas, etc. If damage is discovered, file a claim with the carrier who transported the unit. The shipping container and packing material should be saved in case reshipment is required.

2.2 ELECTRICAL INSTALLATION

2.2.1 Power Connection

WARNING

To preclude injury or death due to shock, the third wire earth ground must be continuous to the facility power outlet. Before connecting to the facility power outlet, examine extension cords, auto-transformers, etc., between the instrument and the facility power outlet for a continuous earth ground path. The earth ground path can be identified at the plug on the instrument power cord; of the three terminals, the earth ground terminal is the nonmatching shape, usually cylindrical.

CAUTION

To prevent damage to the instrument, check for proper match of line and instrument voltage and proper fuse type and rating.

NOTE

Unless otherwise specified at the time of purchase, this instrument was shipped from the factory for operation on a 90 to 126 Vac line supply and with a 1/4 amp slow blow fuse. Instruments configured for 198 to 252 Vac have a 1/8 amp slow blow fuse. Select the appropriate fuse and 115 or 230 switch position at the rear panel when changing power sources.

2.2.2 Signal Connections

Use 3 foot RG58U 50Ω shielded cables equipped with female BNC connectors to distribute all input and output signals.

2.3 ELECTRICAL ACCEPTANCE CHECK

This checkout procedure is a general verification of generator operation. Should a malfunction be found, refer to the warranty in the front of this manual.

A two channel oscilloscope, four 3 foot 50Ω coax cables with female BNC connectors, a coax tee connector and an additional function generator are required for this procedure.

Preset the generator front panel controls as follows:

Control	Position
Dial	2.0
MODE	CONT (released)
FUNCTION	\square
DC OFFSET	OFF (ccw)
AMPLITUDE	MAX (cw)
FREQUENCY MULTIPLIER	X 1K

Set up the oscilloscope, Model 182A and external function generator as shown in figure 2-1 and perform the steps in table 2-1.

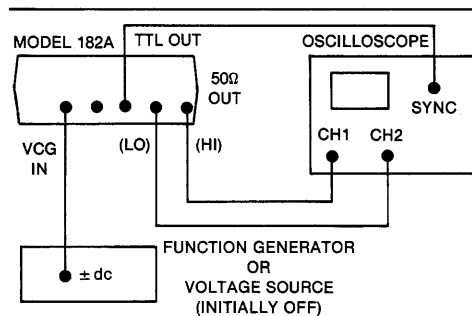


Figure 2-1. First Setup

2.4 CHANGING THE OUTPUT IMPEDANCE

The output impedance is normally:

- HI 10V p-p (50Ω source) into 50Ω.
- LO 1V p-p (50Ω source) into 50Ω.

Amplitude is normally variable over 30 dB with – 50 dB lowest possible amplitude.

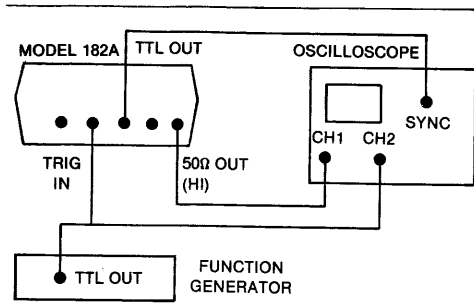


Figure 2-2. Second Setup

2.4 CHANGING THE OUTPUT IMPEDANCE

The output impedance is normally:

HI 10V p-p (50Ω source) into 50Ω.

LO 1V p-p (50Ω source) into 50Ω.

Amplitude is normally variable over 30 dB with - 50 dB lowest possible amplitude.

If simultaneous 600Ω and 50Ω output impedances are desired:

1. Change value of R148 from 499Ω to 604Ω.
2. Remove R149.

The result is:

HI 10V p-p (50Ω source) into 50Ω.

LO 10V p-p (600Ω source) into 600Ω.

Amplitude is variable over 30 dB with - 30 dB lowest possible amplitude. Square wave rise and fall time is less than 150 ns. Any value greater than 600Ω may also be substituted for the value of R148 for other output impedances.

To increase the range of the variable amplitude control in a modified unit beyond 30 dB, decrease the value of R124 as necessary. Waveform quality relative to the standard unit is not guaranteed below - 30 dB and above 20 kHz.

Table 2-1. Initial Checkout

Step	Control	Position/Operation	Observation
1	POWER	ON	± 10V square wave on CH1 and ± 1V on CH2. Return to CH1 only.
2	Dial	Rotate either direction. Return to 2.0.	Rotation ccw increases frequency of □ ; rotation cw decreases frequency.
3	FREQUENCY MULTIPLIER	Press each switch sequentially; return to × 1K.	Frequency increases in decade steps, left to right.
4	AMPLITUDE	Rotate ccw.	Amplitude decreases.
5	DC OFFSET	Rotate cw. Return to OFF.	Output immediately offset negative, then moves positive. OFF return it to original level.
6	AMPLITUDE	Rotate cw.	Square returns to original amplitude.
7	Function Generator or DC Voltage Source	Vary input dc voltage; then disconnect VCG IN input.	Frequency increases with positive voltage and decreases with negative voltage.
8	FUNCTION	Press ~, □, ^ .	Observe ~, □, ^ waveforms.
9	MODE	Gate (CONT depressed, TRIG/GATE released).	A dc level near zero volts (except □ function).
10	MANUAL TRIGGER	Press and hold.	Continuous ^ .
<i>Set up trigger source as shown in figure 2-2. Set trigger source for 100 Hz TTL signal.</i>			
11	---	---	^ gated on during positive portion of TTL signal on CH2.
12	Trigger/Gate	Trigger (depressed)	One ~ cycle per trigger cycle.

SECTION 3

OPERATION

3.1 CONTROLS AND CONNECTIONS

The generator front panel controls and connectors are shown in figure 3-1 and keyed to the following descriptions.

- 1 **Frequency Dial** — Settings under the dial index mark summed with **14** and multiplied by **3** determine the output signal frequency.
- 2 **POWER Button** — Turns generator ON and OFF.
- 3 **FREQUENCY MULTIPLIER Controls** — Selects one of seven frequency multipliers for dial **1** setting.
- 4, 5 **Generator MODE Controls** — Selects one of the following three modes:

CONT — **4** released. Continuous output at 50Ω **OUT 10** and **11** and **SYNC OUT (TTL) 12** connectors.

TRIG — **4** and **5** pressed. DC level output until generator triggered by the **MAN TRIG 6** or with a signal at the **TRIG IN connector 13**. When triggered, the generator output is one cycle of waveform followed by a dc level.

GATE — **4** pressed and **5** released. As for **TRIG** except the output is continuous for the duration of the manual or external trigger signal. The last cycle started is always completed.

- 6 **Manual Trigger Button** — Triggers or gates the output signals when generator mode is **TRIG** or **GATE** (**4** pressed). In trigger mode, one waveform cycle is output when the button is pushed. In gate mode, waveform cycles are continuously output as long as the button is held in.

- 7 **FUNCTION Selector** — Selects one of three waveforms or when all three buttons are released, a dc level.

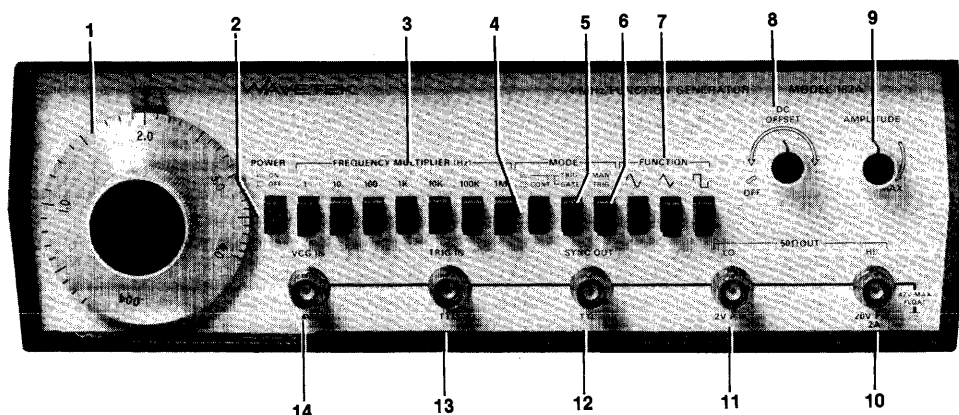


Figure 3.1 Controls and Connectors

- 8 DC OFFSET Control** — Offsets the 50Ω OUT waveforms or gives dc levels from -10V to +10V (-5V to +5V into 50Ω) at **10** and from -1V to +1V (-0.5V to +0.5V into 50Ω) at **11**. An OFF position ensures no offset.
- 9 AMPLITUDE Control** — Cwv rotation reduces waveform amplitudes at **10** and **11** by 30 dB. DC and offset voltages are not affected by this control.
- 10 50Ω OUT HI Connector** — The main output of the generator at the function selected. Maximum 20V p-p (10V p-p into 50Ω) with 30 dB continuous amplitude control. 50Ω source impedance.
- 11 50Ω OUT LO Connector** — Same as **10** except 20 dB (1/10) lower in amplitude.
- 12 TTL OUT Connector** — A TTL square for each cycle of the generator. To be used for synchronization or as a TTL signal capable of driving 20 TTL loads.
- 13 TRIG IN Connector** — Accepts a TTL signal to trigger or gate the generator. Triggers on the rising (low to high) transition and gates during the positive (high) portion of the triggering signal.
- 14 VCG IN Connector** — Accepts ac or dc voltages to proportionately control frequency within the range determined by the **FREQUENCY MULTIPLIER 3**. Positive voltage increases the frequency set by the dial **1**; negative voltage decreases the frequency. The VCG IN will not drive the generator frequency beyond the normal dial limits of a range. Input impedance is 2 kΩ.

3.2 OPERATION

Perform the initial checkout in Section 2 for the feel of the instrument. Any questions concerning individual controls and connectors may be answered in paragraph 3.1.

3.2.1 Signal Termination

Proper signal termination, or loading, of the generator connectors is necessary for its specified operation. For example, the proper termination of either of the 50Ω OUT connectors is shown in figure 3-2. Placing the 50 ohm terminator, or 50 ohm resistance, in parallel with a higher impedance, matches the receiving instrument input impedance to the coax characteristic and generator output impedance, thereby minimizing signal reflection or power loss on the line due to impedance mismatch.

The input and output impedances of the generator connectors are listed below.

Connector	Impedance
50Ω OUT (HI)	50Ω
50Ω OUT (LO)	50Ω
SYNC OUT (TTL)	*
TRIG IN	*
VCG IN	2 kΩ

*The TTL OUT connector is diode protected and can drive up to 20 Transistor-Transistor-Logic (TTL) loads (low level between 0V and 0.4V, and high level between 2.4V and 5V). It should not be connected to resistive load less than 600Ω. The TRIG IN connector accepts TTL logic levels, is diode protected, and requires 500 μA drive from a high level output.

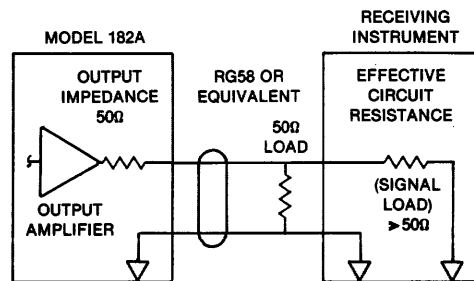


Figure 3-2. Signal Termination

3.2.2 Manual Function Generator Operation

For basic operation, select the waveform frequency and amplitude. The following steps demonstrate manual control of the function generator. (Bold numbers are keys to figure 3-1.)

Step Control/Connector	Setting
1 50Ω OUT 10 11	Connect circuit to either output (refer to paragraph 3.2.1).
2 FREQUENCY MULTIPLIER 3	Set to desired range of frequency.
3 Frequency Dial 1	Set to desired frequency within the range.
4 FUNCTION 7	Set to desired waveform.
5 DC OFFSET 8	Set as desired. Limit waveform amplitude to prevent clipping (see figure 3-3).
6 AMPLITUDE 9	Select for desired amplitude.

3.2.3 Voltage Controlled Function Generator Operation

Operation as a voltage controlled function generator (VCG) is as for a manually controlled function generator, only the frequency within particular ranges is additionally controlled by an external voltage ($\pm 4V$ excursions) injected at the VCG IN connector. Perform the steps given in paragraph 3.2.2, only set the frequency dial to determine a reference from which the frequency is to be voltage controlled.

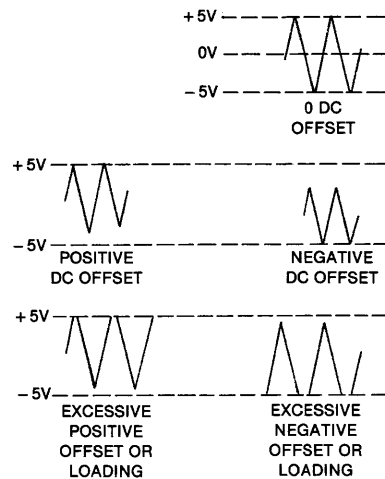


Figure 3-3. DC OFFSET Control

1. For frequency control with positive dc inputs at VCG IN, set the dial for a lower frequency limit.
2. For frequency control with negative dc inputs at VCG IN, set the dial for an upper frequency limit.
3. For modulation with an ac input at VCG IN, set the dial at the desired center frequency. Do not exceed the maximum dial range of the selected frequency range.

Figure 3-4 is a nomograph with examples of dial and voltage effects. Example 1 shows that with 0V VCG input, frequency is determined by the main dial setting, 2 in this example. Example 2 shows that with a positive VCG input, output frequency is increased. Example 3 shows that with a negative VCG input, output frequency is decreased. (Note that the Output Frequency Factor column value must be multiplied by a frequency range multiplier to give the actual output frequency.)

NOTE

Nonlinear operation may result when the VCG input voltage is excessive; that is, when the attempted generator frequency exceeds the range limits. The upper limit is

four times the multiplier setting, and the lower limit is 1/1000th of the upper limit.

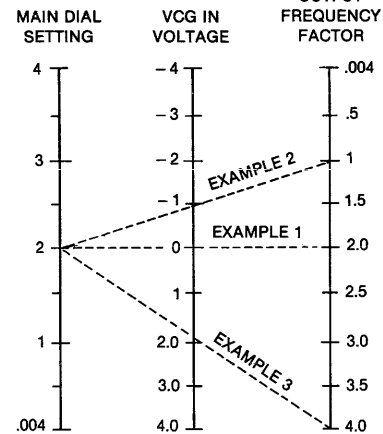


Figure 3-4. VCG Voltage-to-Frequency Nomograph

The up to 1000:1 VCG sweep of the generator frequencies available in each range results from a 4V excursion at the VCG IN connector. With the frequency dial set to 4.0, excursions between $-4V$ and $0V$ at VCG IN provide the up to 1000:1 frequency sweep. With the dial set to .004, excursions between $0V$ and $+4V$ at VCG IN provide the up to 1000:1 sweep within the set frequency range.

3.2.4 Waveforms

See figure 3-5 for definition of controllable waveform characteristics.

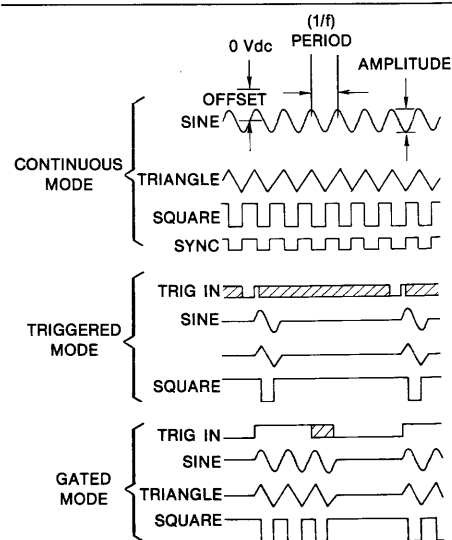


Figure 3-5. Waveform Characteristics

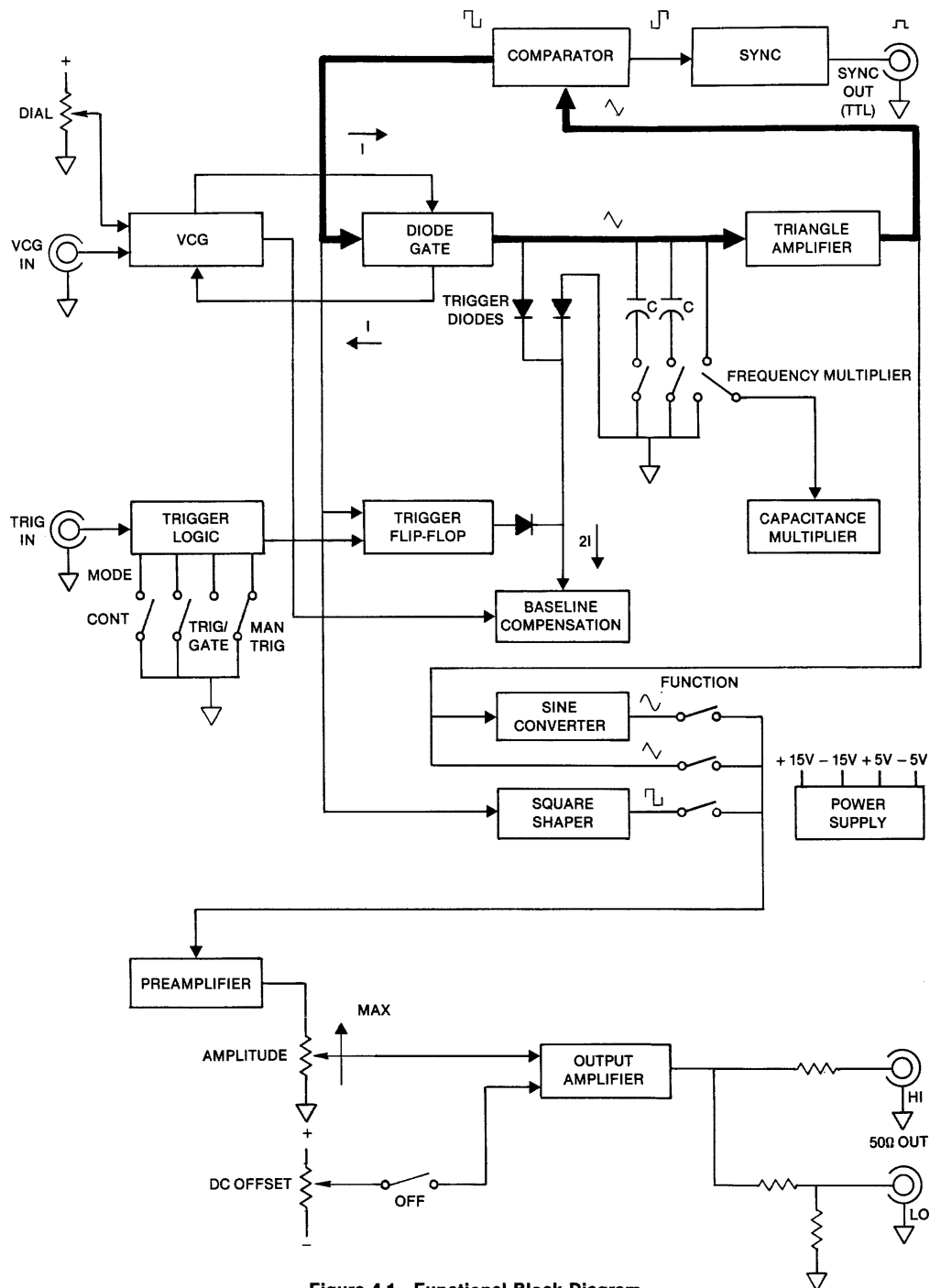


Figure 4-1. Functional Block Diagram

SECTION 4

CIRCUIT DESCRIPTION

4.1 FUNCTIONAL BLOCK DIAGRAM ANALYSIS

This section describes the functions of major circuit elements and their relationships to one another as shown in figure 4-1, functional block diagram. The following sections in this manual provide more detailed information for maintaining the instrument.

As shown in figure 4-1, the VCG sums voltage inputs from the frequency dial and the VCG IN connector. This sum voltage controls the magnitude of a complementary current source and current sink. This current varies linearly from approximately 2 mA to 2 μ A and over the 1000:1 (4.0 to .004) range of each frequency multiplier. The VCG also controls the trigger baseline compensation circuit, which consists of another current sink at twice the current magnitude.

The diode gate, controlled by the comparator output, connects either the current source or the current sink to the timing capacitor selected by the frequency multiplier. When the current source is switched in, the charge on the timing capacitor will rise linearly, producing the positive-going triangle slope. Likewise, the current sink produces the negative-going triangle slope.

The triangle amplifier is a unity gain amplifier whose output is fed to the comparator and to the output circuits. The comparator operates as a window detector with limit points set to the triangle peaks. The $\pm 2V$ output is sent back to the diode gate and to the output circuits. When the output is +2V, the triangle is positive-going until the +1.25V limit is reached and the comparator output switches to -2V. When the output is -2V, the triangle is negative-going until the -1.25V limit is reached and the comparator output switches back to +2V, repeating the process. In this manner, the basic function generator loop, the bold path in figure 4-1, produces simultaneous generation of triangle and square waves at the same frequency.

The output frequency is determined by the magnitude of the timing capacitor selected by the frequency multiplier switches and by the magnitude of the currents supplied to and removed from it. Since the currents are linearly proportional to the sum of the VCG inputs, so will be the output frequency.

To extend the lower frequency capability of the generator, a capacitance multiplier circuit divides VCG currents by 10 (effectively multiplying the timing

capacitor by 10) for each of the lower 3 multiplier ranges.

The TTL square from one side of the comparator is buffered and sent to the SYNC OUT TTL connector. The other side is sent to the trigger flip-flop and to a level shifter to produce the $\pm 2V$ bipolar square for the diode gate and the square shaper circuits. The square shaper converts the square into a current signal and applies it to the \square FUNCTION switch. The buffered triangle is applied to the \wedge FUNCTION switch and to the sine converter input. The sine converter, using the nonlinear characteristics of its diodes, converts the triangle into a sinusoidal current for the \wedge FUNCTION switch.

The selected function is sent to the preamplifier, where it is inverted and buffered. The preamplifier output goes to the output amplifier through the AMPLITUDE control where it is summed with offset voltage from the DC OFFSET control. Here, waveform and offset are inverted and amplified to a 10V peak signal which can drive a 50 Ω termination from a 50 Ω source impedance. The output amplifier drives the 50 Ω OUT HI connector and a resistor divider producing the 50 Ω OUT LO output.

Noncontinuous modes of operation (trigger and gate) result from allowing or preventing the VCG current source from charging the timing capacitor. Whenever the trigger flip-flop output is low, each of the two trigger diodes conduct a current I, sourcing 2I to the baseline compensation circuit. This removes the current I from the VCG current source and forces a 0V baseline at the triangle amplifier input.

When the CONT switch is released, trigger logic is inhibited from passing any trigger signals and the trigger flip-flop output is held high. This prevents the trigger diodes from conducting and the generator loop operates continuously.

When the CONT switch is pressed, the generator loop is held at the 0V baseline. Pressing the TRIG/GATE TRIG/GATE switch puts the instrument in triggered mode and any external or manual trigger signals at the trigger logic input will be transformed into a narrow pulse corresponding to the low-to-high transition of the trigger input. This pulse sets the trigger flip-flop high and allows the generator loop to run. When the triangle negative peak is reached, the comparator low-to-high transition clocks the trigger flip-flop low

and, when the 0V baseline level is reached, the generator loop again stops. The result is a single waveform generated after the triggering signal corresponding to 0 to 360° of phase. Successive triggered waveforms always start at the same 0° point.

Releasing the TRIG/GATE switch puts the instrument

in the gated mode. This is identical to the triggered mode, except the trigger flip-flop is held high for the full duration of the triggering signal. The generator produces continuous waveforms during the time the external signal is high or the manual trigger switch is held in. The last triggered cycle started is always completed and successive gated bursts always start at the 0° point.

SECTION 5 ALIGNMENT

5.1 FACTORY REPAIR

Wavetek maintains a factory repair department for those customers not possessing the necessary personnel or test equipment to maintain the instrument. If an instrument is returned to the factory for alignment or repair, a detailed description of the specific problem should be attached to minimize turnaround time.

5.2 REQUIRED TEST EQUIPMENT

Voltmeter Microvolt dc measurement (1% accuracy)
 Oscilloscope ≥60 MHz bandwidth
 Counter 4 MHz (0.1% accuracy)
 50Ω Feedthru ± 1% accuracy, 2W
 Distortion Analyzer To 400 kHz
 RG58U Coax Cable 3 ft length BNC male contacts

5.3 REMOVING GENERATOR COVERS

1. Invert the instrument and remove the four screws in the bottom cover.
2. Turn the instrument upright; remove the top cover for access to generator alignment controls.
3. When alignment is complete, secure the bottom cover with four screws.

NOTE

Remove the cover only when it is necessary to make adjustments or measurements.

5.4 ALIGNMENT

After referring to the following preliminary data, perform alignment, as necessary, per table 5-1. If performing partial alignment, check previous settings and adjustments for applicability. See figure 5-1 for alignment control location.

The completion of these calibration procedures returns the instrument to correct calibration. All limits and tolerances given in these procedures are calibration guides and should not be interpreted as instrument specifications. Instrument specifications are given in section 1 of this manual.

1. All measurements made at the FUNCTION OUT connector must be terminated into a 50Ω (± 1%) load.
2. Start the alignment by connecting the unit to an appropriate ac power source and setting the front panel switches as follows:
 POWER ON
 Frequency Dial 4.0
 FREQ MULT (Hz) × 1K
 MODE CONT
 FUNCTION
 DC OFFSET OFF
 AMPLITUDE MAX
3. Allow the unit to warm up at least 30 minutes for final alignment. Keep the instrument cover on to maintain heat. Remove cover only to make adjustments or measurements.

Table 5-1. Alignment Procedure

Step	Check	Tester	Test Point	Control Setting	Adjust	Result	Remark
1	Power Supply	Voltmeter	C4 +	Paragraph 5.4, Step 2		+ 15 ± .75V	Verify. ± 15V should track within 30 mV
2			C5 -			- 15 ± .75V	
3			C7 +			+ 5 ± .25V	
4			C6 -			- 5 ± .25V	
5	Capacitor Multiplier Zero		SW3 - B Wiper		R90	0 ± 2 mV	

Table 5-1. Alignment Procedure (Continued)

Step	Check	Tester	Test Point	Control Setting	Adjust	Result	Remark
6	Approximate Bottom of the Dial Frequency	Counter	50Ω OUT HI (terminate into 50Ω)	Dial: .004 FREQ MULT: 10K	R37	20 ms period	
7	Bottom of the Dial Symmetry	Scope			R49	Equalize (+) and (-) half cycles	Set scope to (-) trigger; display one full cycle. Align positive transition to center of screen. Multiply the horizontal display × 10. Set scope (+) trigger; adjust R49 to align negative transition with center of screen
8	Bottom of the Dial Frequency	Counter		FREQ MULT: × 1K	R37	350 ± 50 ms period	
9	Top of the Dial Symmetry	Scope		Dial: 4.0	R45	Equalize (+) and (-) half cycles	See step 7
10	Top of the Dial Frequency	Counter		Dial: 4.0 FREQ MULT: × 1K	R19	4 ± 0.2 kHz	
11				FREQ MULT: × 10 K		40 ± .8 kHz	Verify
12				FREQ MULT: × 1M	C34	4 ± .02 MHz	
13				FREQ MULT: × 100K		400 ± 8 kHz	Verify. If necessary, trim by changing value of C33
14				FREQ MULT: × 100	R86	2.5 ± .05 ms	
15				FREQ MULT: × 10		25 ± .5 ms	Verify
16		FREQ: × 1		250 ± 5 ms			
17	Sine Distortion	Distortion Analyzer		FUNCTION: \surd FREQ MULT: × 1 K	R97 R114	Adjust for minimum distortion	It may be necessary to reduce amplitude to 5V peak
18	Output Amplitude	Scope		FUNCTION: \surd	R118	10 Vp-p +.3V - 0V	
19	Output Offset	Voltmeter		FUNCTION: \surd	R112	0V ± 50 mv	
20	Baseline Zero	Scope		MODE: Trigger	R81	0V ± 75 mv	It may be necessary to trim the baseline with R80

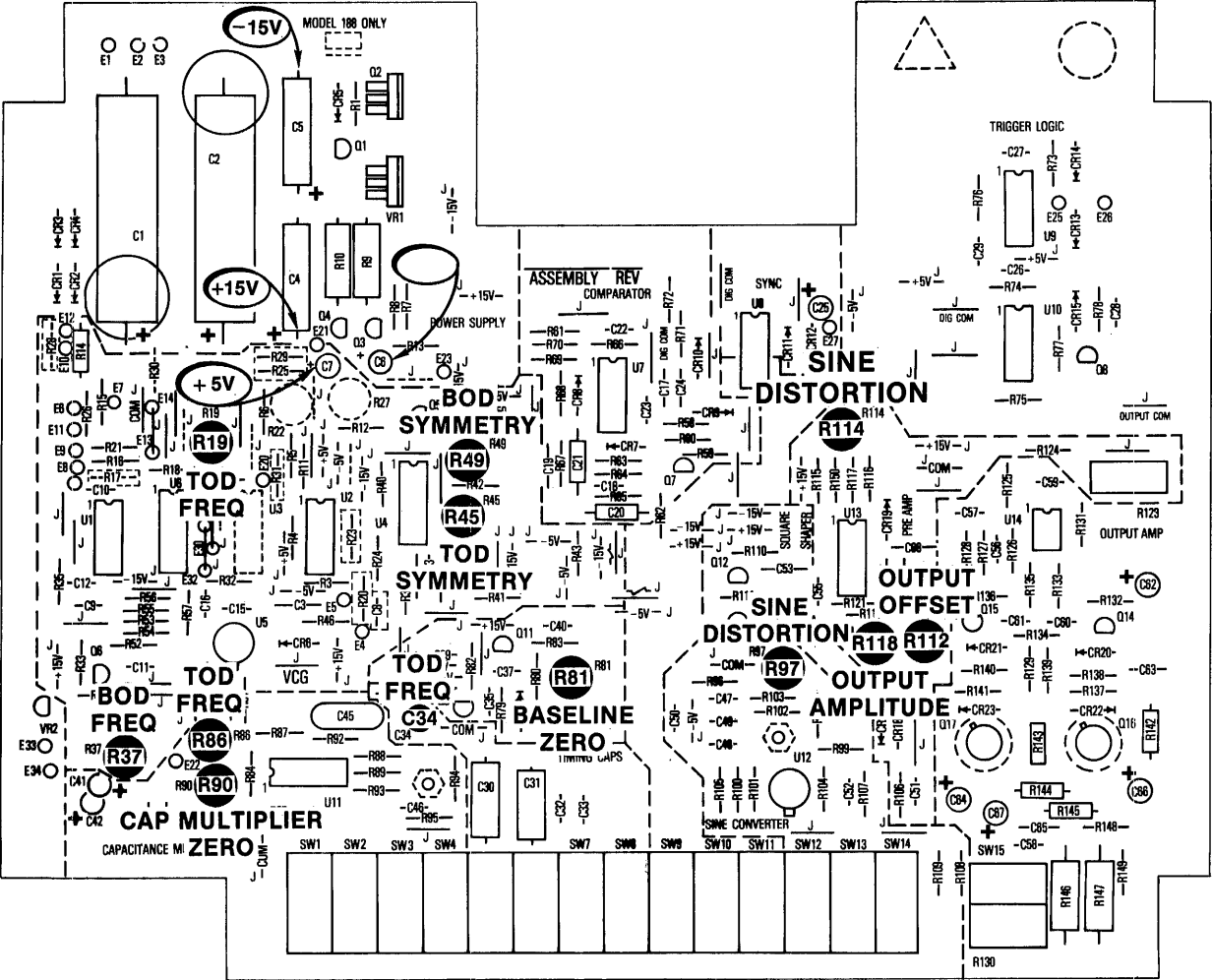


Figure 5-1. Alignment Locations

SECTION 6

TROUBLESHOOTING

6.1 FACTORY REPAIR

Wavetek maintains a factory repair department for those customers not possessing the necessary personnel or test equipment to maintain the instrument. If an instrument is returned to the factory for alignment or repair, a detailed description of the specific problem should be attached to minimize turnaround time.

6.2 TROUBLESHOOTING TABLES

Table 6-1 gives an index of the troubleshooting tables by indications of common problems. The tables do not cover every possible trouble, but, when used in conjunction with circuit descriptions and schematics, will be an aid in systematically isolating faulty components.

6.3 TROUBLESHOOTING INDIVIDUAL COMPONENTS

6.3.1 Transistor

1. A transistor is defective if more than one volt is measured across its base-emitter junction in the forward direction.
2. A transistor when used as a switch may have a few volts reverse bias voltage across base-emitter junction.
3. If the collector and emitter voltages are the same, but the base emitter voltage is less than 500 mV forward voltage (or reversed bias), the transistor is defective.
4. A transistor is defective if its base current is larger than 10% of its emitter current (calculate currents from voltage across the base and emitter series resistors).
5. In a transistor differential pair (common emitter stages), either their base voltages are the same in normal operating condition, or the one with less forward voltage across its base emitter junction should be off (no collector current); otherwise, one of the transistors is defective.

6.3.2 Diode

A diode (except a zener) is defective if there is greater than one volt (typically 0.7 volt) forward voltage across it.

6.3.3 Operational Amplifier

1. The “+” and “-” inputs of an operational amplifier will have less than 15 mV voltage difference when operating under normal conditions.
2. When the output of the amplifier is connected to the “-” input (voltage follower connection), the output should be the same voltage as the “+” input voltage; otherwise, the operational amplifier is defective.
3. If the output voltage stays at maximum positive, the “+” input voltage should be more positive than the “-” input voltage, or vice versa; otherwise, the operational amplifier is defective.

6.3.4 FET Transistor

1. No gate current should be drawn by the gate of an FET transistor. If so, the transistor is defective.
2. The gate-to-source voltage is always reverse biased under a normal operating condition; e.g., the source voltage is more positive than the gate voltage for 2N5485, and the source voltage is more negative than gate voltage for a 2N5462. Otherwise, the FET is defective.
3. If the device supplying gate voltage to an FET saturates, the FET has too large a V_{gs} (pinch off) for the circuit and should be replaced.

6.3.5 Capacitor

1. Shorted capacitors have zero volts across their terminals.
2. Opened capacitor can be located (but not always) by using a good capacitor connected in parallel with the capacitor under test and observing the resulting effect.

6.4 GENERAL INSTRUCTIONS

When encountering a problem, it is advisable to return as many of the front panel controls as possible to their initial settings and still retain the problem. The troubleshooting tables in this section generally begin at these initial settings and specify all subsequent setups. Preset the front panel controls as follows.

Control	Position
Frequency Dial	4.0
POWER	ON
FREQ MULT (Hz)	1K
FUNCTION	
DC OFFSET	OFF
AMPLITUDE	MAX

CAUTION

To prevent damage to components, turn unit off while removing or replacing components, connectors or pc boards.

The suspected malfunctioning condition should be double checked to eliminate the possibility of improper settings or connections. Before attempting fault isolation, the unit should be checked for proper line voltage selection (refer to Section 2). A good visual inspection of the boards and chassis wires for damage or overheating often saves much time.

Once the malfunction is defined, begin the isolation procedure by selecting an indication in table 6-1

which best describes the malfunction and proceed to the referenced troubleshooting table.

Follow through the checks in the troubleshooting table, using schematics and assemblies as a guide. When positive results are not obtained, perform the indicated corrective procedure.

Table 6-1. Fault Isolation

Indication	Table
1. Fuse blown, no power indication or no outputs.	6-2
2. Function outputs missing or clipped when TTL sync OK. Triangle problem.	6-3
3. Sine waveform problem.	6-4
4. Square waveform problem.	6-5
5. TTL sync output problem.	6-6
6. Generator frequency does not respond correctly to dial and VCG input.	6-7
7. Waveform symmetry problem.	6-8
8. Problem on bottom three ranges only.	6-9
9. Generator trigger and gate mode problem.	6-10

Table 6-2. Power Supplies and Generator Loop

Indication: Fuse blown, no power indication or no outputs.

Check	If Faulty, Check
1. Set all controls in their initial positions (refer to paragraph 6.4).	
2. Ensure line voltage matches instrument configuration (refer to Section 2). Check fuse.	Replace fuse; check for normal operation.
3. Check C1 (+) and C2 (-) for ± 20 to 26V unregulated dc.	a. CR1 - CR4. b. C1, C2. c. SW1. d. T1, RV1, F1 (bracket assembly).
4. Check indicator lamp.	DS1 and VR2, wiring E34 and E33.
5. Check C4 (+) for +15 Vdc.	a. VR1. b. Excessive loading; use board jumpers to isolate cause.
6. Check C5 (-) for -15 Vdc.	a. Q2. b. U2, Q1. c. Excessive loading; use board jumpers to isolate cause.

Table 6-2. Power Supplies and Generator Loop (Continued)

<i>Indication: Fuse blown, no power indication or no outputs.</i>	
Check	If Faulty, Check
7. Check U7 pin 14 for +5 Vdc and U7 pin 13 for -5 Vdc.	a. Q4, Q3, U2. b. Excessive loading; use board jumpers to isolate cause.
8. Check U4 pin 13 for a dc shift from approximately +10V to +15V as the frequency dial is rotated from 4.0 to .004. Check U6 pin 8 or a dc shift from -10V to -15V as the frequency dial is rotated from 4.0 to .004.	Go to table 6-7.
9. Check anode CR6 for approximately +3.5 Vdc.	Go to table 6-10.
10. If emitter Q11 has a 4 kHz, $\pm 1.25V$ triangle, go to table 6-3.	
11. Check for the same voltage at the gate of Q9 as at the emitter of Q11, within saturation limits of the amplifier.	Q9 - Q11 and associated circuitry.
12. If the voltage at the emitter of Q11 is $\geq +1.25V$, check cathode CR10 for approximately -2.5V. If the voltage at the emitter of Q11 is $\leq -1.25V$, check cathode CR10 for approximately +2.5V.	U7, Q7 and associated circuitry.
13. Check U5.	

Table 6-3. Output Circuits

<i>Indication: Function outputs missing or clipped when TTL sync output OK. Problem with triangle waveform.</i>	
Check	If Faulty, Check
1. Set controls to initial positions (refer to paragraph 6.4).	Check for normal operation.
2. Check emitter Q11 for a 4 kHz, $\pm 1.25V$ triangle.	Go to table 6-2.
3. Select triangle function, rotate AMPLITUDE ccw, and check U13 pin 10 for a $\pm 1.25V$ triangle.	a. R114, R112 adjustments. b. U13. c. SW13.
4. Rotate AMPLITUDE cw (MAX), DC OFFSET to OFF, and check 50 Ω OUT (HI) for a 20V p-p (open circuit) triangle.	a. Output amplifier circuit. b. E15, E16 wiring.
5. Check for excessive discontinuities at the triangle peaks near the bottom of a frequency range (other than $\times 1$ to $\times 100$).	a. U5. b. SQR signal at cathode CR10 not $\pm 2.5V$.
6. Check for nonlinearities in the triangle slopes near the bottom of a frequency range (other than $\times 1$ to $\times 100$).	a. Associated timing capacitor or C36. b. U5, CR6. c. Q9, Q10.
7. Check for a waveform symmetry problem.	Go to table 6-8.

Table 6-4. Sine Conversion

<i>Indication: Sine waveform problem.</i>	
Check	If Faulty, Check
1. Set controls to initial positions (refer to paragraph 6.4).	Check for normal operation.
2. Check emitter Q1 for a 4 kHz, $\pm 1.25V$ triangle.	Go to table 6-2.
3. Verify that the $\pm 1.25V$ triangle peaks at the emitter of Q1 agree within 3%.	a. R62, R63, R64, R65, R67, R68, R69 R70 b. CR7, CR8, U7. c. $\pm 15V$ supplies.
4. Select triangle function; check for $\pm 1.25V$ triangle at U13 pin 10.	Go to table 6-3, step 3.
5. Select sine function; check for $\pm 1.25V$ sine at U13 pin 10.	a. U12 circuitry. b. SW12.
6. Check sine distortion 50 Ω OUT (HI) per calibration procedure (refer to table 5.1).	a. R97, R114 adjustments. b. Waveform symmetry, R45 adjustment and table 6-8. c. U12 circuitry.
7. Check sine amplitude vs frequency per specifications (refer to section 1).	C47, C55, C56, C57

Table 6-5. Square Function

<i>Indication: Square waveform problem.</i>	
Check	If Faulty, Check
1. Set controls to initial positions (refer to paragraph 6.4).	Check for normal operation.
2. Check CR10 cathode for a 4 kHz, approximately $\pm 2V$ square wave.	Go to table 6-2.
3. Select a triangle function; check U13 pin 10 for a $\pm 1.25V$ triangle.	Go to table 6-3.
4. Select square function; check U13 pin 10 for a $\pm 1.25V$ square.	a. Q12, Q13 circuitry. b. SW14.
5. Check square wave at 50 Ω OUT (HI) for the same 20V p-p (open circuit) amplitude as the triangle and sine.	R106, R110, R111.
6. Check rise/fall times of 4 MHz square (50 Ω terminated) for < 50 ns.	C51, C55, C56, C57.

Table 6-6. TTL Sync Output

<i>Indication: TTL sync output problem.</i>	
Check	If Faulty, Check
1. Set controls to initial positions (refer to paragraph 6.4).	Check for normal operation.
2. Check U8 pin 1 for a TTL level, 4 kHz square.	Go to table 6-2.
3. Check U8 pin 8 for a TTL level, 4 kHz square.	a. U8. b. CR11, CR12.
4. Check SYNC OUT TTL.	E27, E28, E19 wiring.
5. Check SYNC OUT waveform at 4 MHz, using a TTL load termination or a $\geq 600\Omega$ resistive termination and ≤ 3 foot RG58U coax.	a. U8. b. E19 ground connection.

Table 6-7. VCG Circuit

<i>Indication: Generator does not respond correctly to dial and VCG input.</i>	
Check	If Faulty, Check
1. Set controls to initial positions (refer to paragraph 6.4).	Check for normal operation.
2. Check for approximately +15V at E11.	a. E10, E11 and E12 wiring. b. +15V supply. c. Dial potentiometer.
3. Check for 0 ± 10 mV at U1 pin 13.	U1.
4. Check U1 pin 14 for approximately -5V.	U1.
5. Check that as the dial is rotated from 4.0 to .004, the voltage at U1 pin 14 varies from approximately -5 to 0V.	U1.
6. Ensure that U1 pin 5 remains at a constant $0V \pm 40$ mV as the dial is varied.	U1, U4, and U6 circuits.
7. Check that, as the dial is rotated from .004 to 4.0, the voltage at U1 pin 1 does not saturate near -15V or +15V (typical range is between -10V and +10V) and stops varying with the dial.	Q6, U1, and U6 circuits.
8. Check that as the dial is rotated from .004 to 4.0, U6 pin 8 varies from approximately -15V to -10V.	U6, U1, and Q6 circuits.
9. Check that, as the dial is rotated from .004 to 4.0, the voltage at U1 pin 7 does not saturate near +15V or -15V (typical range is between +10V and -10V) and stops varying with the dial.	U4 and U1 circuits.
10. Check that, as the dial is rotated from .004 to 4.0, U4 pin 13 varies from approximately +15V to +10V.	U4 and U1 circuits.
11. Check for nonlinearity in the $\pm 1.25V$ triangle at the emitter of Q11 near the bottom of the $\times 1K$ through $\times 1M$ ranges.	a. Associated timing capacitors or C36. b. U5, CR6. c. Q9, Q10.
12. Check frequencies of $\times 1K$, $\times 10K$ and $100K$ ranges.	a. Adjust R19. b. C30, 31 and 32 (trimmed by C33).
13. Check frequency and linearity of $\times 1M$ range.	a. C34. b. C36. c. C18, 19, 20 and 21.
14. Check frequencies of $\times 1$, $\times 10$ and $\times 100$ ranges.	R86 and table 6-9.

Table 6-8. Symmetry

<i>Indication: Waveform symmetry problem.</i>	
Check	If Faulty, Check
1. Set controls to initial positions (refer to paragraph 6.4).	Check for normal operation.
2. If symmetry problem appears on $\times 1$, $\times 10$, $\times 100$ ranges only, problem may be R90 adjustment or go to table 6-9.	
3. Perform steps 5 through 12 of table 6-7, then return to this table.	a. R49 adjustment. b. R44, adjustment.
4. Verify RUN signal at cathode CR6 is approximately +3.5V.	Go to table 6-10.
5. Verify U6 pin 4 and U6 pin 15 vary from approximately -10V to -15V as dial is rotated from 4.0 to .004.	U1, U6, R52, R53.
6. Verify amplitude of SQR signal at cathode CR10 is approximately $\pm 2V$.	a. Q7 circuit. b. U7 circuit. c. +5V supply.
7. Check U5, CR6.	

Table 6-9. Capacitance Multiplier

<i>Indication: Problem on bottom frequency ranges only.</i>	
Check	If Faulty, Check
1. Set controls to initial positions (refer to paragraph 6.4).	Check for normal operation on $\times 1K$ range.
2. Check for 0 Vdc at U11 pins 2 and 6.	SW2 - SW4.
3. Check for approximately 0 Vdc at U11 pin 12.	U11 circuitry.
4. Check for 0 Vdc ± 5 mV at U11 pin 10.	a. R90 adjustment. b. U11 circuitry.
5. Select $\times 100$ range; check U11 pin 10 for heavy oscillations.	C46, U11.
6. Check that the signal at U11 pin 2 is amplified by approximately 6 at pin 12 (within saturation limits).	U11 circuitry.
7. Check for the same signal at U11 pins 6 and 7 as at the emitter of Q11.	SW4, U11 circuitry.
8. Ensure that R93 and R94 are shorted in the $\times 100$ range.	SW4.
9. Check 400 Hz frequency (4.0×100).	a. R86 adjustment. b. R89, R95, C45.
10. Check 40 Hz frequency (4.0×10).	R93, SW3.
11. Check 4 Hz frequency (4.0×1).	R94.
12. Check symmetry at 0.2×100 ; ensure triangle is linear.	a. R90 adjustment. b. U11. c. Leaky C30, C36, C45, C46, CR6, U5, Q9.

Table 6-10. Trigger Logic

<i>Indication: Generator trigger and gate mode problems.</i>	
Check	If Faulty, Check
1. Set controls to initial positions (refer to paragraph 6.4).	Check for normal continuous operation.
2. If generator operates normally in continuous mode, go to step 7.	
3. Check for 0V at U9 pins 2 and 5.	SW9.
4. Check for a TTL low at U10 pin 10.	U9, +5V supply.
5. Check for +5V at U10 pin 9.	a. U10. b. CR6, CR15, Q8. c. U6.
6. Check for approximately +3.5V at anode CR6. Check for normal continuous mode operation.	a. CR6, U6, Q8. b. Go to table 6-2.
7. Check that U6 pin 4 and U6 pin 15 vary from approximately -10V to -15V as dial is rotated from 4.0 to .004.	a. U6, R52, R53. b. Go to table 6-7.
8. Go to gated mode (CONT depressed, TRIG/GATE released). Check U9 pin 2 for a TTL high.	a. U10. b. SW9, SW11, +5V supply.
9. Check U9 pin 1 for a TTL high.	a. U9. b. R73, -5V supply.
10. Check U10 pin 10 for a TTL high.	a. U9. b. U10.
11. Check U10 pin 9 for TTL low.	a. U10. b. Q8.
12. Check anode CR6 for approximately -1.5V.	a. CR15, Q8, R78. b. CR6.
13. Check cathode CR6 for approximately -0.7V.	a. U5. b. U6.
14. Check emitter Q11 for 0 Vdc \pm 100 mV.	a. R81 adjustment. b. Q9 - Q11 circuitry.
15. Connect an external TTL signal to TRIG IN connector; check for the inverse of that signal at U10 pin 10.	a. E25, E26. b. CR13, CR14. c. U9, SW10.
16. Press TRIG/GATE switch and check for an approximate 20 ns negative pulse at U10 pin 10 following the low-to-high transition of the external signal (increasing the frequency of the external generator makes this pulse more visible).	a. U9, SW10. b. C29.
17. Remove the external signal and verify that U10 pin 5 goes from high to low when the MAN TRIG switch is held depressed.	a. SW11. b. U10.
18. Release the TRIG/GATE switch (gated) and check that U10 pin 10 goes from high to low when the MAN TRIG switch is pressed.	SW9.
19. Monitor 50 Ω OUT, triangle function, for 0 Vdc baseline.	R81, R112 adjustments.
20. Press MAN TRIG switch and check 50 Ω OUT for a continuous triangle while the switch is held. Depress TRIG/GATE switch (triggered) and verify	a. U10 or clock signal to U10 from U7 b. C29 (pulse too narrow)

SECTION 7

PARTS AND SCHEMATICS

7.1 DRAWINGS

The following assembly drawings (with parts lists) and schematics are in the arrangement shown below.

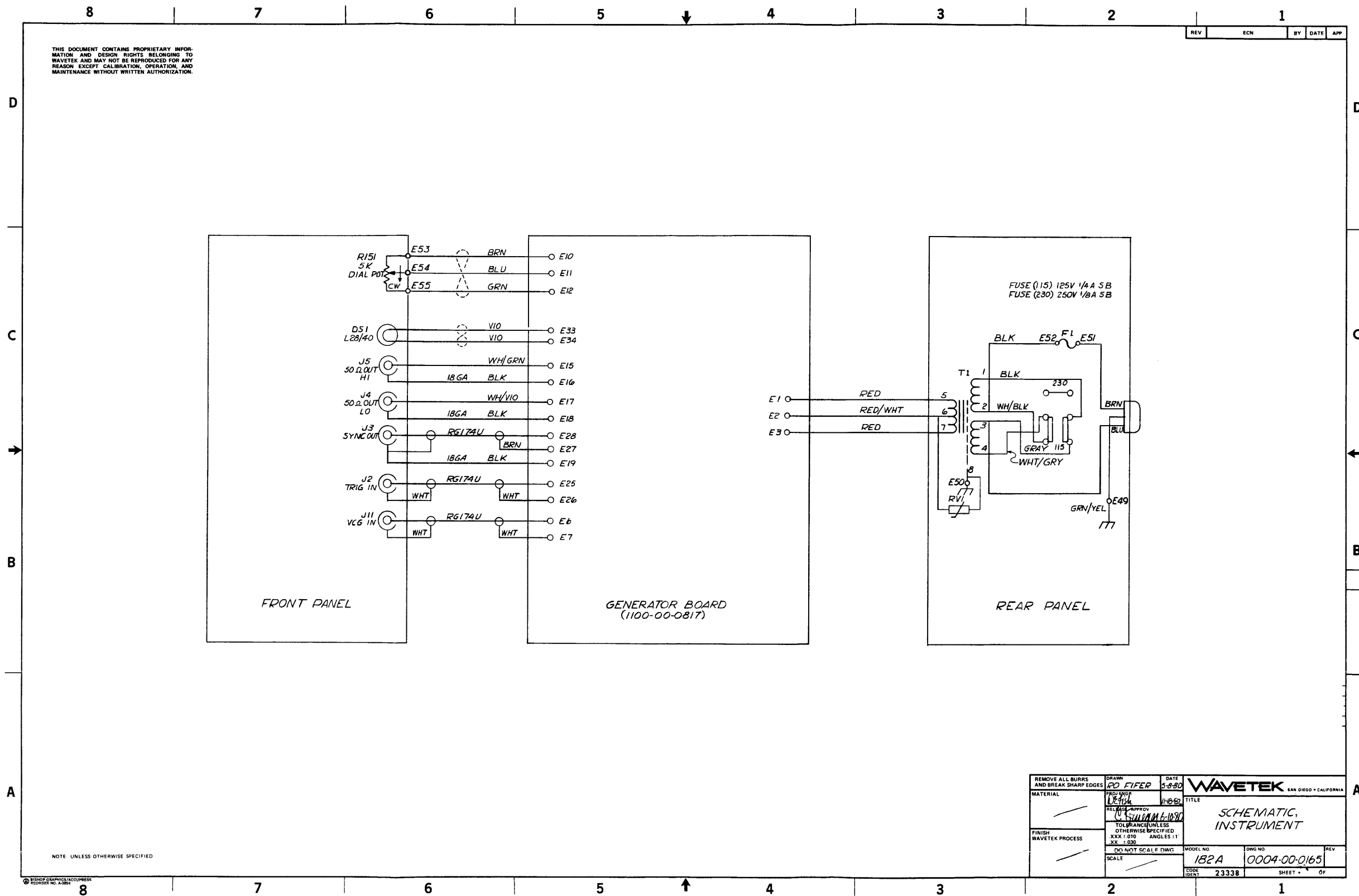
7.2 ORDERING PARTS

When ordering spare parts, please specify part number, circuit reference, board, serial number of unit, and, if applicable, the function performed.

7.3 ADDENDA

Under Wavetek's product improvement program, the latest electronic designs and circuits are incorporated into each Wavetek instrument as quickly as development and testing permit. Because of the time needed to compose and print instruction manuals, it is not always possible to include the most recent changes in the initial printing. Whenever this occurs, addendum pages are prepared to summarize the changes made and are inserted immediately inside the rear cover. If no such pages exist, the manual is correct as printed.

Drawing	Drawing No.
Instrument Schematic	0004-00-0165
Chassis Assembly	0102-00-0836
Chassis Parts List	1101-00-0836
Main Board Schematic	0103-00-0817
Main Board Assembly	1100-00-0817
Main Board Parts List	1100-00-0817



8 7 6 5 4 3 2 1

THIS DOCUMENT CONTAINS PROPRIETARY INFORMATION AND DESIGN RIGHTS BELONGING TO WAVETEK AND MAY NOT BE REPRODUCED FOR ANY REASON EXCEPT CALIBRATION, OPERATION, AND MAINTENANCE WITHOUT WRITTEN AUTHORIZATION.

REV	ECN	BY	DATE	APP
-----	-----	----	------	-----

REFERENCE DESIGNATORS	PART DESCRIPTION	ORIG-MFGR-PART-NO	MFGR	WAVETEK NO.	QTY/PT
NONE	ASSY DRWG. CHASSIS	0102-00-0836	WVTK	0102-00-0836	1
1	DIAL ASSY	182A-0028	WVTK	1201-00-0028	1
2	TRANSFORMER	182A-0041	WVTK	1204-00-0041	1
31	PLATE, NAME	139-305	WVTK	1400-00-2180	1
5	INDICATOR, DIAL	180-303	WVTK	1400-00-4970	1
6	COVER, TOP	180-300-1	WVTK	1400-00-5000	1
7	COVER, BOTTOM	180-300-2	WVTK	1400-00-5030	1
29	LABEL, WARNING	1400-00-6940	WVTK	1400-00-6940	1
11	BRACKET, AC SHIELD	1400-00-9473	WVTK	1400-00-9473	1
9	FRONT PANEL	1400-01-1760	WVTK	1400-01-1760	1
10	REAR PANEL	1400-01-1843	WVTK	1400-01-1843	1
8	LABEL, RATING	1400-01-4610	WVTK	1400-01-4610	1
12	BNC CONN	KC-7946	KING	2100-01-0002	5
13	SOLDER LUG	1497	SHITH	2100-04-0012	5
14	SOLDER LUG	11A144	ZIER	2100-04-0025	2
15	KNOB, SMALL	0-M-9	ROGAN	2400-01-0010	1
16	KNOB, 1/4IN BUSHING	RB-67-0-M-9	ROGAN	2400-01-0017	1
DR1	LAMP	L28/40	MURA	2400-02-0017	1

WAVETEK PARTS LIST TITLE: CHASSIS ASSY ASSEMBLY NO. 1101-00-0836 REV 0
PAGE: 1

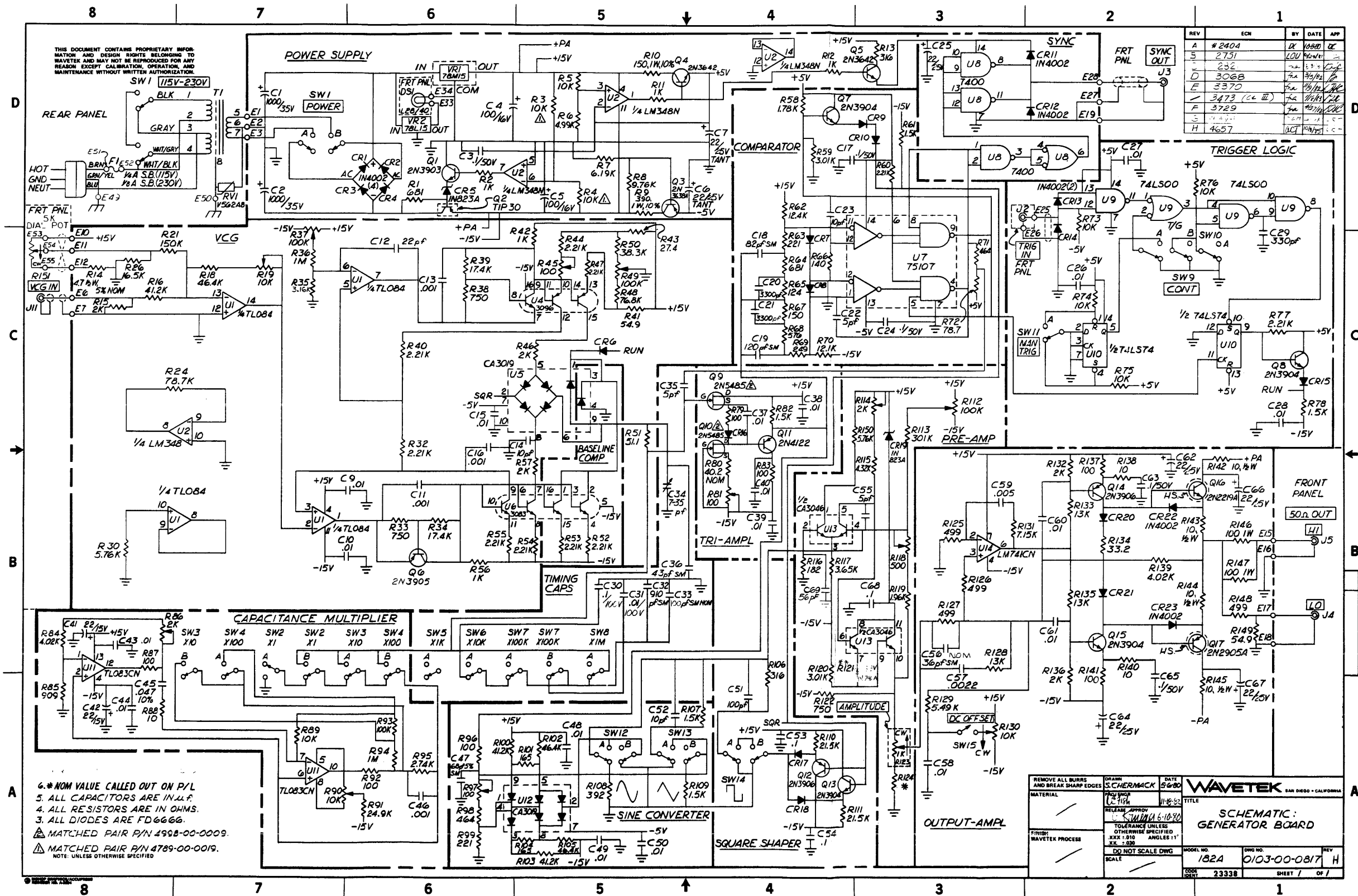
REFERENCE DESIGNATORS	PART DESCRIPTION	ORIG-MFGR-PART-NO	MFGR	WAVETEK NO.	QTY/PT
18	FUSE, 1/4A, 250V, S-B	313.250	LITFU	2400-09-0008	1
19	FUSE HOLD	031.1653/031.1666	SCHUR	2400-09-0012	1
20	STANDOFF, MALE/FEMALE .875 H. .250 HEX. 4-40	1447-M03-F05-440	UNICP	2800-02-0027	2
32	BAIL ASSY W/FT	180-500	WVTK	2800-08-0010	1
33	SPEEDNUT, SELF RETAIN	C7494-632-4	TINN	2800-09-0003	6
34	RIVET 1/8X3/16L	1125-0406	AVDEL	2800-12-0011	4
35	RIVET	RIVETS	WVTK	2800-12-0020	2
23	STRAIN RELIEF BUSH	SR6M-1	HEVCO	2800-37-0003	1
3	INSULATOR, MICA	64-21-023-106	ASHML	3100-00-0006	2
27	VARISTOR	V56ZAB	OE	4799-00-0048	1
26	TRANS	TIP-30	TI	4902-00-0300	1
28	SWITCH ASSY SLIDE	46256-LF	SWCFT	5105-00-0002	1
30	SOLDER GUARD	46256-LF-80	SWCFT	5105-09-0001	1
24	PWR CORD	0-7789-00B-GY	PACRD	6001-80-0004	1
25	VOLTAGE REGULATOR	MC7815	HDT	7000-78-1500	1

WAVETEK PARTS LIST TITLE: CHASSIS ASSY ASSEMBLY NO. 1101-00-0836 REV 0
PAGE: 2

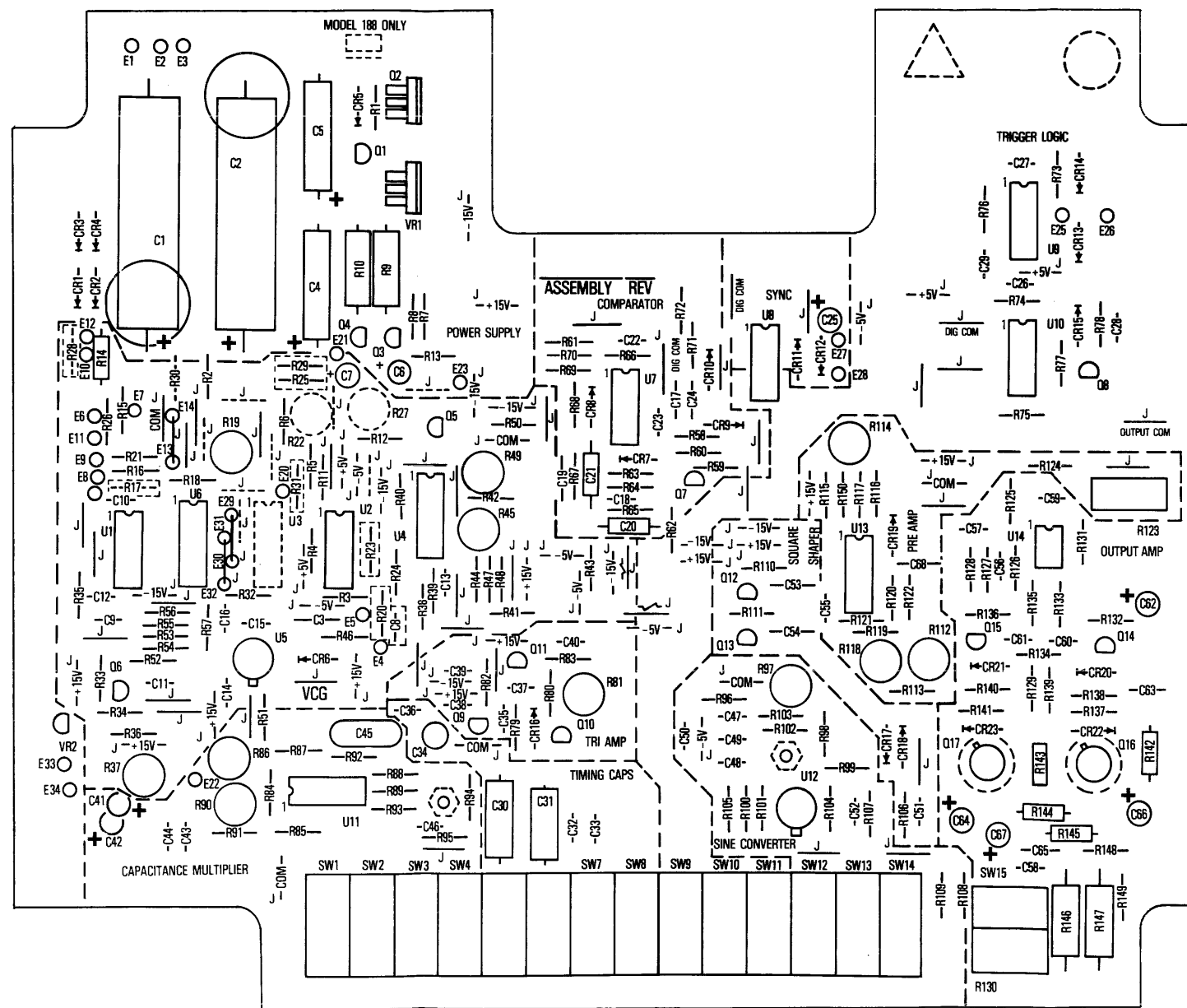
NOTE: UNLESS OTHERWISE SPECIFIED

REMOVE ALL BURRS AND BREAK SHARP EDGES	DRAWN	DATE	WAVETEK SAN DIEGO • CALIFORNIA	
MATERIAL	PROJ ENGR		TITLE	
	RELEASE APPROV		PARTS LIST CHASSIS	
FINISH	TOLERANCE UNLESS OTHERWISE SPECIFIED XX ± .010 ANGLES :1° XX ± .030		MODEL NO.	DWG NO.
WAVETEK PROCESS	DO NOT SCALE DWG		182A	1101-00-0836
SCALE			CODE 23338	REV G
			SHEET 1 OF 1	

8 7 6 5 4 3 2 1



THIS DOCUMENT CONTAINS PROPRIETARY INFORMATION AND DESIGN RIGHTS BELONGING TO WAVETEK AND MAY NOT BE REPRODUCED FOR ANY REASON EXCEPT CALIBRATION, OPERATION, AND MAINTENANCE WITHOUT WRITTEN AUTHORIZATION.



CREATED FROM 0100-00-0817 REV B

REMOVE ALL BURRS AND BREAK SHARP EDGES	DRAWN	DATE	WAVETEK SAN DIEGO - CALIFORNIA	
	PROF/ENGR			
MATERIAL	RELEASE APPROV		TITLE GENERATOR BOARD	
FINISH WAVETEK PROCESS	TOLERANCE UNLESS OTHERWISE SPECIFIED		MODEL NO 182A	
	XXX - 010 ANGLES 1:1 XX - 030			
SCALE	DO NOT SCALE DWG		REV	
			CODE IDENT 23338	
			SHEET 1 OF 1	

8 7 6 5 4 3 2 1

THIS DOCUMENT CONTAINS PROPRIETARY INFORMATION AND DESIGN RIGHTS BELONGING TO WAVETEK AND MAY NOT BE REPRODUCED FOR ANY REASON, EXCEPT CALIBRATION, OPERATION, AND MAINTENANCE WITHOUT WRITTEN AUTHORIZATION.

REFERENCE DESIGNATORS	PART DESCRIPTION	ORIG-MFGR-PART-NO	MFGR	WAVETEK NO.	QTY/PT	REFERENCE DESIGNATORS	PART DESCRIPTION	ORIG-MFGR-PART-NO	MFGR	WAVETEK NO.	QTY/PT	REFERENCE DESIGNATORS	PART DESCRIPTION	ORIG-MFGR-PART-NO	MFGR	WAVETEK NO.	QTY/PT
NONE	ASSY DRWG. GEN BD	0101-00-0817	WVTK	0101-00-0817	1	NONE	HEAT SINK	207	WAKE	2800-11-0001	2	R58	RES. MF. 1/BW. 1X. 1. 78K	RN55D-1781F	TRW	4701-03-1781	1
NONE	SCHEMATIC. GEN BD	0103-00-0817	WVTK	0103-00-0817	1	NONE	TRANSIPAD	10160	METRS	2800-11-0004	2	R116	RES. MF. 1/BW. 1X. 182	RN55D-1820F	TRW	4701-03-1820	1
NONE	ASSY. CDAX 182A-0817	182A-2068	WVTK	1207-00-2068	1	R45 R81 R97	PDT. TRIM. 100	91AR100	BECK	4600-01-0103	3	R119	RES. MF. 1/BW. 1X. 1. 96K	RN55D-1961F	TRW	4701-03-1961	1
NONE	ASSY. CDAX 182A-0817	182A-2069	WVTK	1207-00-2069	1	R19 R90	PDT. TRIM. 10K	91AR10K	BECK	4600-01-0315	2	R132 R136 R15 R46 R57	RES. MF. 1/BW. 1X. 2K	RN55D-2001F	TRW	4701-03-2001	5
NONE	ASSY. CDAX 182A-0817	182A-2070	WVTK	1207-00-2070	1	R112 R49	PDT. TRIM. 100K	91AR100K	BECK	4600-08-0402	2	R110 R111	RES. MF. 1/BW. 1X. 21. 5K	RN55D-2152F	TRW	4701-03-2152	2
C22 C35 C55	CAP. CER. 5PF. 1KV	DD-050	CRL	1500-00-5011	3	R114 R86	PDT. TRIM. 2K	91AR2K	BECK	4600-02-0201	2	R63 R99	RES. MF. 1/BW. 1X. 221	RN55D-2210F	TRW	4701-03-2210	2
C14 C23 C52	CAP. CER. 10PF. 1KV	DD-100	CRL	1500-01-0011	3	R118	PDT. TRIM. 50K	91AR50K	BECK	4600-05-0104	1	R32 R40 R44 R47 R52 R53 R54 R55 R60 R77	RES. MF. 1/BW. 1X. 2. 21K	RN55D-2211F	TRW	4701-03-2211	10
C51	CAP. CER. 100PF. 1KV	DD-101	CRL	1500-01-0111	1	R130	PDT. SWITCH. 100	4602-01-0300	WVTK	4602-01-0300	1	R69	RES. MF. 1/BW. 1X. 249	RN55D-2490F	TRW	4701-03-2490	1
C11 C13 C16 C46	CAP. CER. .001MF. 1KV	DD-102	CRL	1500-01-0211	4	R123	PDT. CONT. 1K FROM: 4600-01-0207	4609-71-0201	WVTK	4609-71-0201	1	R91	RES. MF. 1/BW. 1X. 24. 9K	RN55D-2492F	TRW	4701-03-2492	1
C10 C15 C26 C27 C28 C37 C38 C39 C40 C43 C44 C48 C49 C50 C58 C60 C61 C9	CAP. CER. MN. .01MF. 50V	GE50-103ZA	MURAT	1500-01-0310	18	R37	PDT. TRIM. 20T. 100K	68MR100K	BECK	4609-90-0001	1	R95	RES. MF. 1/BW. 1X. 2. 74K	RN55D-2741F	TRW	4701-03-2741	1
C17 C24 C3 C53 C54 C63 C65 C66	CAP. CER. MDN. .1MF. 50V	CAC0325U1042050A	CORNG	1500-01-0405	8	R142 R143 R144 R145	RES. C. 1/2W. 5X. 10	RC-1/2-100J	STKPL	4700-25-0100	4	R43	RES. MF. 1/BW. 1X. 27. 4	RN55D-2784F	TRW	4701-03-2784	1
C12	CAP. CER. 22PF. 1KV	DD-220	CRL	1500-02-2011	1	R14	RES. C. 1/2W. 5X. 4. 7	RC-1/2-4R7J	STKPL	4700-25-0479	1	R120 R59	RES. MF. 1/BW. 1X. 3. 01K	RN55D-3011F	TRW	4701-03-3011	2
C57	CAP. CER. .0022. 1KV	DD-222SLL	CRL	1500-02-2201	1	R10	RES. C. 1W. 10X. 150	4700-35-1500	WVTK	4700-35-1500	1	R113	RES. MF. 1/BW. 1X. 301K	RN55D-3013F	TRW	4701-03-3013	1
C29	CAP. CER. 330PF. 1KV	DD-331	CRL	1500-03-3111	1	R9	RES. C. 1W. 10X. 390	4700-35-3900	WVTK	4700-35-3900	1	R106 R13	RES. MF. 1/BW. 1X. 316	RN55D-3160F	TRW	4701-03-3160	2
C20 C21	CAP. C. MN. 3300PF. 50V	1801X7R050A332J	VRDYN	1500-03-3205	2	R137 R141 R79 R83 R87 R92 R96	RES. MF. 1/BW. 1X. 100	RN55D-1000F	TRW	4701-03-1000	7	R35	RES. MF. 1/BW. 1X. 3. 16K	RN55D-3161F	TRW	4701-03-3161	1
WAVETEK PARTS LIST TITLE: PCA, GENERATOR BD ASSEMBLY NO.: 1100-00-0817 REV: H PAGE 1					WAVETEK PARTS LIST TITLE: PCA, GENERATOR BD ASSEMBLY NO.: 1100-00-0817 REV: H PAGE 3					WAVETEK PARTS LIST TITLE: PCA, GENERATOR BD ASSEMBLY NO.: 1100-00-0817 REV: H PAGE 5							

REFERENCE DESIGNATORS	PART DESCRIPTION	ORIG-MFGR-PART-NO	MFGR	WAVETEK NO.	QTY/PT	REFERENCE DESIGNATORS	PART DESCRIPTION	ORIG-MFGR-PART-NO	MFGR	WAVETEK NO.	QTY/PT	REFERENCE DESIGNATORS	PART DESCRIPTION	ORIG-MFGR-PART-NO	MFGR	WAVETEK NO.	QTY/PT
C59	CAP. CER. .005MF. 50V	CK-502	CRL	1500-05-0210	1	R11 R12 R2 R42 R56	RES. MF. 1/BW. 1X. 1K	RN55D-1001F	TRW	4701-03-1001	5	R117	RES. MF. 1/BW. 1X. 3. 65K	RN55D-3651F	TRW	4701-03-3651	1
C69	CAP. CER. 56PF. 1KV	DD-560	CRL	1500-05-6001	1	R5 R73 R74 R75 R76 R89	RES. MF. 1/BW. 1X. 10K	RN55D-1002F	TRW	4701-03-1002	6	R50	RES. MF. 1/BW. 1X. 38. 3K	RN55D-3832F	TRW	4701-03-3832	1
C33T	CAP. MICA. 100PF. 500V	DM15-101J	ARCO	1500-11-0100	1	R93	RES. MF. 1/BW. 1X. 100K	RN55D-1003F	TRW	4701-03-1003	1	R108	RES. MF. 1/BW. 1X. 392	RN55D-3920F	TRW	4701-03-3920	1
C19	CAP. MICA. 120PF. 500V	DM15-121J	ARCO	1500-11-2100	1	R36 R94	RES. MF. 1/BW. 1X. 1M	RN55D-1004F	TRW	4701-03-1004	2	R139 R84	RES. MF. 1/BW. 1X. 4. 02K	RN55D-4021F	TRW	4701-03-4021	2
C36 C56T	CAP. MICA. 43PF. 500V	DM15-430J	ARCO	1500-14-3000	2	R138 R140 R88	RES. MF. 1/BW. 1X. 10	RN55D-1009F	TRW	4701-03-1009	3	R80	RES. MF. 1/BW. 1X. 40. 2	RN55D-40R2F	TRW	4701-03-4029	1
C47	CAP. MICA. 68PF. 500V	DM15-680J	ARCO	1500-16-8000	1	R70	RES. MF. 1/BW. 1X. 12. 1K	RN55D-1212F	TRW	4701-03-1212	1	R100 R103 R16	RES. MF. 1/BW. 1X. 41. 2K	RN55D-4122F	TRW	4701-03-4122	3
C18	CAP. MICA. 82PF. 500V	DM15-820J	ARCO	1500-18-2000	1	R65	RES. MF. 1/BW. 1X. 124	RN55D-1240F	TRW	4701-03-1240	1	R115	RES. MF. 1/BW. 1X. 4. 32K	RN55D-4321F	TRW	4701-03-4321	1
C32	CAP. 910PF. 100V. 1X	DM15-911F	ARCO	1500-19-1101	1	R62	RES. MF. 1/BW. 1X. 12. 4K	RN55D-1242F	TRW	4701-03-1242	1	R71 R98	RES. MF. 1/BW. 1X. 464	RN55D-4640F	TRW	4701-03-4640	2
C4 C5	CAP. ELECT. 100MF. 16V	500D1076016DC7	SPRAG	1500-31-0101	2	R128 R133 R135	RES. MF. 1/BW. 1X. 13K	RN55D-1302F	TRW	4701-03-1302	3	R102 R105 R18	RES. MF. 1/BW. 1X. 46. 4K	RN55D-4642F	TRW	4701-03-4642	3
C1 C2	CAP. ELECT. 1000MF. 35V	39D10800359L6	SPRAG	1500-31-0212	2	R66	RES. MF. 1/BW. 1X. 140	RN55D-1400F	TRW	4701-03-1400	1	R125 R126 R127 R148	RES. MF. 1/BW. 1X. 499	RN55D-4990F	TRW	4701-03-4990	4
C25 C6 C62 C64 C66 C67 C7	CAP. ELECT. 22MF/25V	SRA25V822MC	UNCON	1500-32-2002	7	R67	RES. MF. 1/BW. 1X. 150	RN55D-1500F	TRW	4701-03-1500	1	R6	RES. MF. 1/BW. 1X. 4. 99K	RN55D-4991F	TRW	4701-03-4991	1
C31	CAP. POLY. .01MF. 100V	PA2B103F	ELCUB	1500-41-0304	1	R107 R109 R61 R78 R82	RES. MF. 1/BW. 1X. 1. 5K	RN55D-1501F	TRW	4701-03-1501	5	R31	RES. MF. 1/BW. 1X. 51. 1	RN55D-51R1F	TRW	4701-03-5119	1
C30	CAP. POLY. .1MF. 100V	PA2B104F	ELCUB	1500-41-0404	1	R21	RES. MF. 1/BW. 1X. 150K	RN55D-1503F	TRW	4701-03-1503	1	R129	RES. MF. 1/BW. 1X. 5. 49K	RN55D-5491F	HEPCO	4701-03-5491	1
C45	CAP. MYLAR. .047MF. 100V	225P47391WD3	SPRAG	1500-44-7314	1	R124T	RES. MF. 1/BW. 1X. 15	RN55D-15R0F	TRW	4701-03-1509	1	R149 R41	RES. MF. 1/BW. 1X. 54. 9	RN55D-54R9F	TRW	4701-03-5499	2
C34	VARI. 7-35PF. 250V	75-TR1KD-02 7/35 PF	TRIKO	1500-53-5000	1	R101 R104	RES. MF. 1/BW. 1X. 165	RN55D-1650F	TRW	4701-03-1650	2	R68	RES. MF. 1/BW. 1X. 576	RN55D-5760F	TRW	4701-03-5760	1
C41 C42	CAP. TANT. 22MF. 20V	202A2002226M3	MATSD	1500-72-2621	2	R26	RES. MF. 1/BW. 1X. 16. 5K	RN55D-1652F	TRW	4701-03-1652	1	R150 R30	RES. MF. 1/BW. 1X. 5. 76K	RN55D-5761F	TRW	4701-03-5761	2
1	GENERATOR BD	188-0817	WVTK	1700-00-0817	1	R34 R39	RES. MF. 1/BW. 1X. 17. 4K	RN55D-1742F	TRW	4701-03-1742	2						
WAVETEK PARTS LIST TITLE: PCA, GENERATOR BD ASSEMBLY NO.: 1100-00-0817 REV: H PAGE 2					WAVETEK PARTS LIST TITLE: PCA, GENERATOR BD ASSEMBLY NO.: 1100-00-0817 REV: H PAGE 4					WAVETEK PARTS LIST TITLE: PCA, GENERATOR BD ASSEMBLY NO.: 1100-00-0817 REV: H PAGE 6							

NOTE: UNLESS OTHERWISE SPECIFIED

REMOVE ALL BURRS AND BREAK SHARP EDGES	DRAWN	DATE	WAVETEK SAN DIEGO • CALIFORNIA PARTS LIST GENERATOR BOARD
MATERIAL	PROJ. ENGR		
	RELEASE APPROV		
FINISH WAVETEK PROCESS	TOLERANCE UNLESS OTHERWISE SPECIFIED XX ± .010 ANGLES 1:1 XX ± .030		
	DO NOT SCALE DWG	MODEL NO. 182A	REV M
	SCALE	DWG NO. 1100-00-0817	
		CODE 23338	SHEET 1 OF 2

8 7 6 5 4 3 2 1

THIS DOCUMENT CONTAINS PROPRIETARY INFORMATION AND DESIGN RIGHTS BELONGING TO WAVETEK AND MAY NOT BE REPRODUCED FOR ANY REASON EXCEPT CALIBRATION, OPERATION, AND MAINTENANCE WITHOUT WRITTEN AUTHORIZATION.

REV	ECN	BY	DATE	APP
-----	-----	----	------	-----

REFERENCE DESIGNATORS	PART DESCRIPTION	ORIG-MFGR-PART-NO	MFGR	WAVETEK NO.	QTY/PT
R7	RES. MF. 1/8W. 1X. 6. 19K	RN55D-6191F	TRW	4701-03-6191	1
R1 R64	RES. MF. 1/8W. 1X. 681	RN55D-6810F	TRW	4701-03-6810	2
R131	RES. MF. 1/8W. 1X. 7. 15K	RN55D-7151F	TRW	4701-03-7151	1
R122 R33 R38	RES. MF. 1/8W. 1X. 750	RN55D-7500F	TRW	4701-03-7500	3
R48	RES. MF. 1/8W. 1X. 76. 8K	RN55D-7682F	TRW	4701-03-7682	1
R24	RES. MF. 1/8W. 1X. 78. 7K	RN55D-7872F	TRW	4701-03-7872	1
R72	RES. MF. 1/8W. 1X. 78. 7	RN55D-7872F	TRW	4701-03-7879	1
R85	RES. MF. 1/8W. 1X. 909	RN55D-9090F	TRW	4701-03-9090	1
R8	RES. MF. 1/8W. 1X. 9. 76K	RN55D-9761F	TRW	4701-03-9761	1
R146 R147	RES. MF. 1W. 1X. 100	RN70D-1000F	TRW	4701-33-1000	2
R3 R4	RES. SET. 2-10K. 1/8W QTY: 2. 4701-03-1002	142-501-64A	WVTK	4789-00-0019	1
R121	DIODE	1N746A	FAIR	4801-01-0746	1
CR19 CR5	DIODE. ZENER 6. 2V	1N823A	HOT	4801-01-0823	2
CR1 CR11 CR12 CR13 CR14 CR2 CR22 CR23 CR3 CR4	DIODE	1N4002	FAIR	4801-02-0001	10
CR10 CR15 CR16 CR17 CR18 CR20 CR21 CR6 CR7 CR8 CR9	DIODE	1N4148	FAIR	4807-02-6666	11

REFERENCE DESIGNATORS	PART DESCRIPTION	ORIG-MFGR-PART-NO	MFGR	WAVETEK NO.	QTY/PT
U13	IC	CA-3046	RCA	7000-30-4600	1
U6	IC	CA3083	FAIR	7000-30-8300	1
U4	IC	CA-3096AE	RCA	7000-30-9600	1
VR2	IC	78L15	TI	7000-78-1501	1
U7	IC	SN75107AN	TI	7007-51-0700	1
U8	IC	7400	TI	8000-74-0000	1
U9	IC	74LS00	TI	8000-74-0010	1
U10	IC	74LS74	TI	8000-74-7410	1

WAVETEK PARTS LIST TITLE PCA. GENERATOR BD ASSEMBLY NO. 1100-00-0817 REV M
PAGE 7

WAVETEK PARTS LIST TITLE PCA. GENERATOR BD ASSEMBLY NO. 1100-00-0817 REV M
PAGE 9

REFERENCE DESIGNATORS	PART DESCRIPTION	ORIG-MFGR-PART-NO	MFGR	WAVETEK NO.	QTY/PT
Q16	TRANS	2N2219A	NSC	4901-02-2191	1
Q17	TRANS	2N2905A	NSC	4901-02-9051	1
Q3	TRANS	2N3638A	CARTR	4901-03-6381	1
Q4 Q5	TRANS	2N3642	FAIR	4901-03-6420	2
Q1	TRANS	2N3903	NSC	4901-03-9030	1
Q13 Q15 Q7 Q8	TRANS	2N3904	FAIR	4901-03-9040	4
Q6	TRANS	2N3905	ITT	4901-03-9050	1
Q12 Q14	TRANS	2N3906	FAIR	4901-03-9060	2
Q11	TRANS	2N4122	NSC	4901-04-1220	1
Q10 Q9	TRANS. M/PR. 2N5485 QTY: 2. 4901-05-4850	142-501-53	WVTK	4998-00-0009	1
2	SWITCH ASSY PB	5103-00-0026	WVTK	5103-00-0026	1
U11	IC	TL083CN	TI	7000-00-8300	1
U1	IC	TL084CN	TI	7000-00-8400	1
U2	IC	LM348N	NSC	7000-03-4800	1
U14	IC	LM741CN	NSC	7000-07-4100	1
U12 U5	IC	CA-3019	RCA	7000-30-1900	2

WAVETEK PARTS LIST TITLE PCA. GENERATOR BD ASSEMBLY NO. 1100-00-0817 REV M
PAGE 8

NOTE: UNLESS OTHERWISE SPECIFIED

8 7 6 5 4 3 2 1

REMOVE ALL BURRS AND BREAK SHARP EDGES	DRAWN	DATE	WAVETEK SAN DIEGO • CALIFORNIA
MATERIAL	PROJ ENGR	TITLE	
FINISH WAVETEK PROCESS	RELEASE APPROV	PARTS LIST GENERATOR BOARD	
TOLERANCE UNLESS OTHERWISE SPECIFIED XXX : 010 ANGLES : 1° XX : 020		MODEL NO	REV
DO NOT SCALE DWG		182A	M
SCALE	1100-00-0817	BOOK IDENT	SHEET 2 OF 2
	23338		