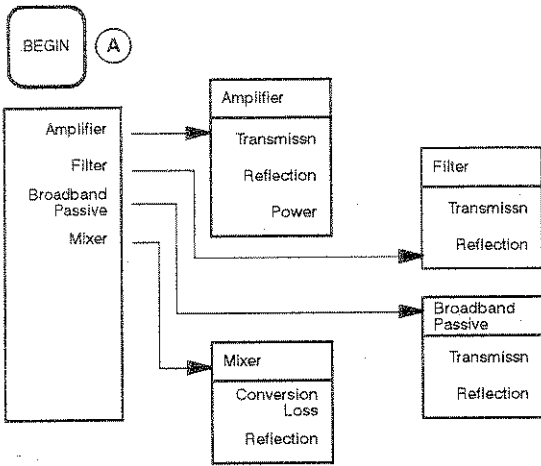


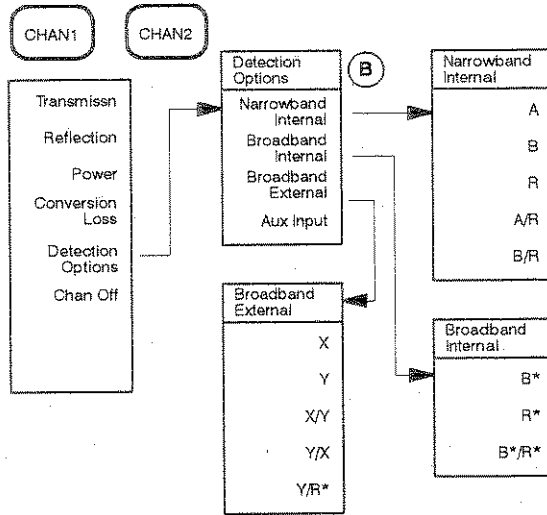
**HP 8711A
RF Network Analyzer**

Quick Reference Card

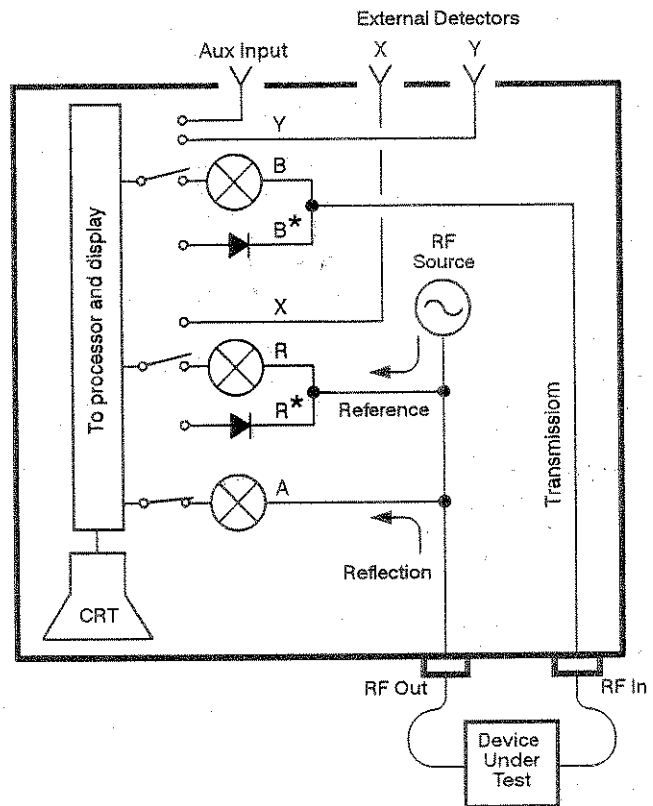
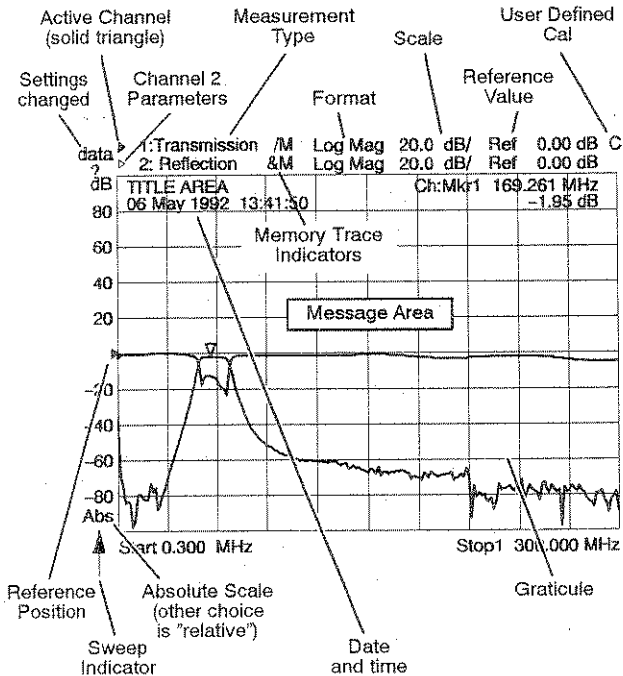
BEGIN KEY



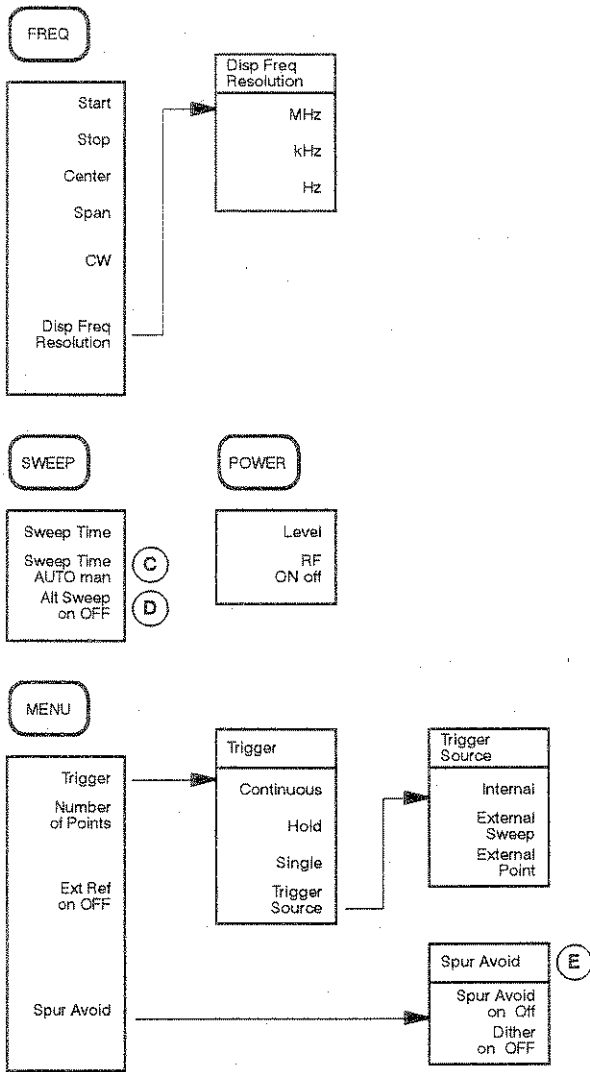
MEAS KEYS



- A** [BEGIN]: press [BEGIN], select type of device and measurement. Autoscales and sets marker at min or max. For one channel measurements.
- B** {Detection Options}: type of signal detection.
 {Narrowband Internal}: for wide dynamic range measurements, tuned receiver, built-in.
 {Broadband Internal}: for absolute power and frequency conversion measurements, diode detector, built-in.
 {Broadband External}: diode detector, optional accessory.
 {Aux Input}: voltmeter, rear panel input.

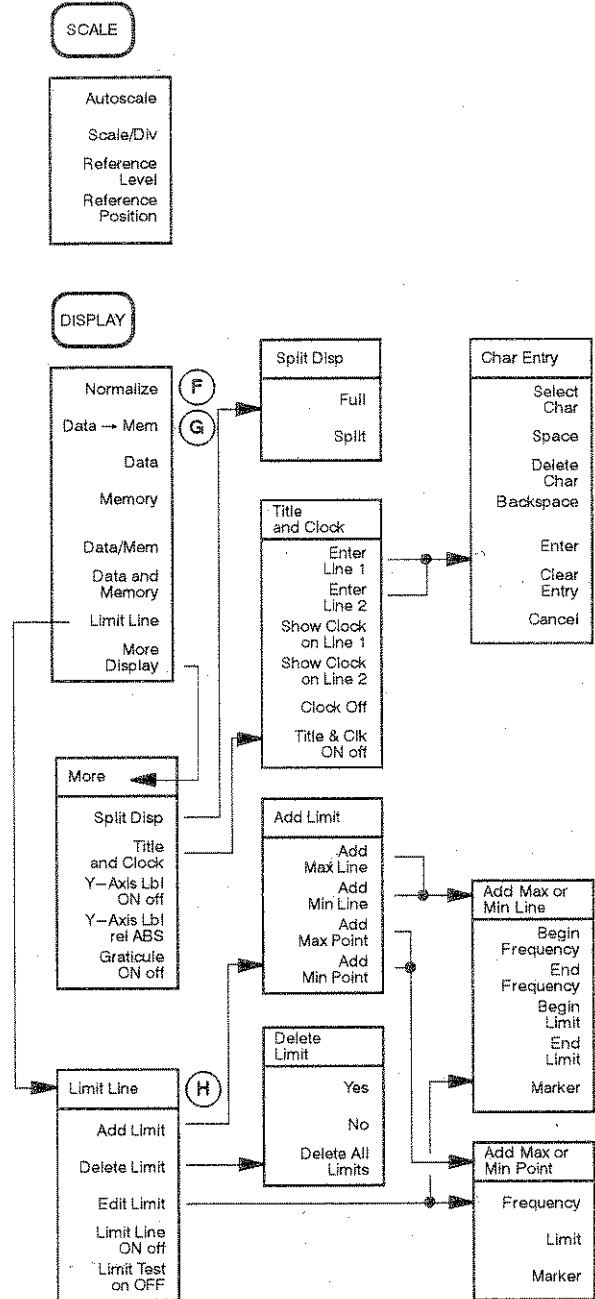


SOURCE KEYS



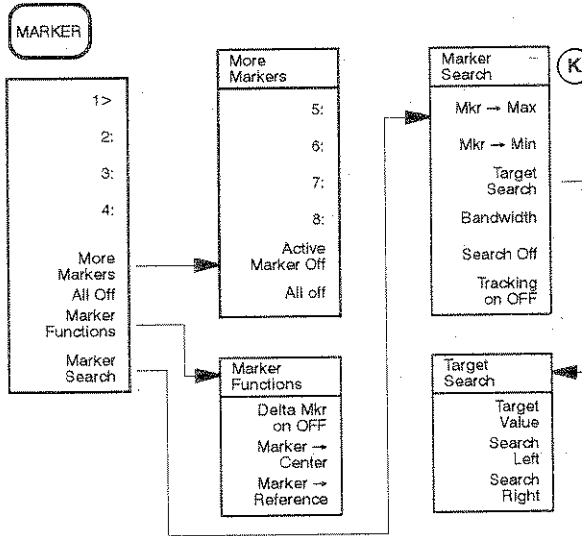
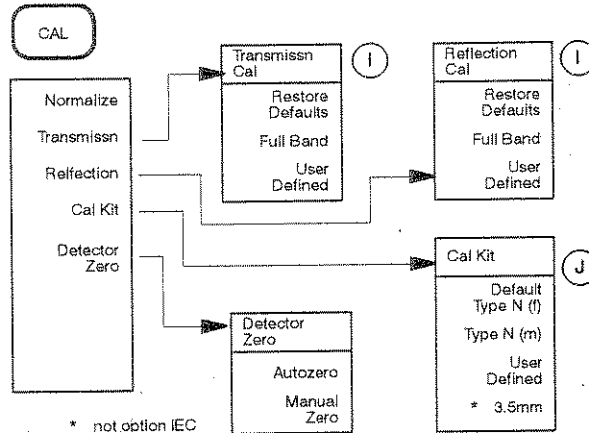
- C** {Sweep Time AUTO man}: AUTO = fastest possible; MAN = user selected.
- D** {Alt Sweep ON}: each channel can have different frequency span, detection mode, number of points, etc.
- E** {Spur Avoid}: with spur avoid or dither on, do full band or user defined cal.
 {Spur Avoid ON}: removes spurs from low level measurements, slows sweep.
 {Dither ON}: shifts spurs, recommended for narrow frequency span measurements, no sweep speed penalty.

CONFIGURE KEYS



- F** {Normalize}: equivalent to {Data->Mem} and {Data/Mem}.
- G** {Data->Mem}: stores current data trace in memory.
- H** {Limit Line}: creates limit lines for testing. Use with {Limit Test ON} to show pass or fail.

CONFIGURE KEYS (continued)



- I** {Restore Defaults}: restores default calibration.

{Full Band}: user cal of full frequency span at 801 points; can change frequency span after cal. Cal is lost if you change spur avoid settings.

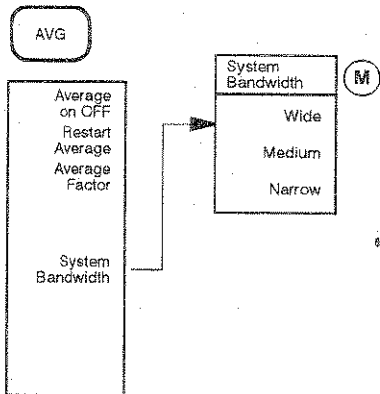
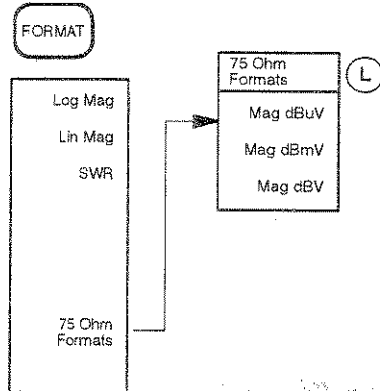
{User Defined}: select frequency span, number of points, spur avoid setting, then do cal. Cal is lost if you widen span, or change spur avoid settings after cal.
- J** {Detector Zero}: compensates for drift of (zeroes) internal and external broadband detectors.

{Autozero}: zeroes detectors when selected and as needed.

{Manual Zero}: zeroes detectors one time when selected.

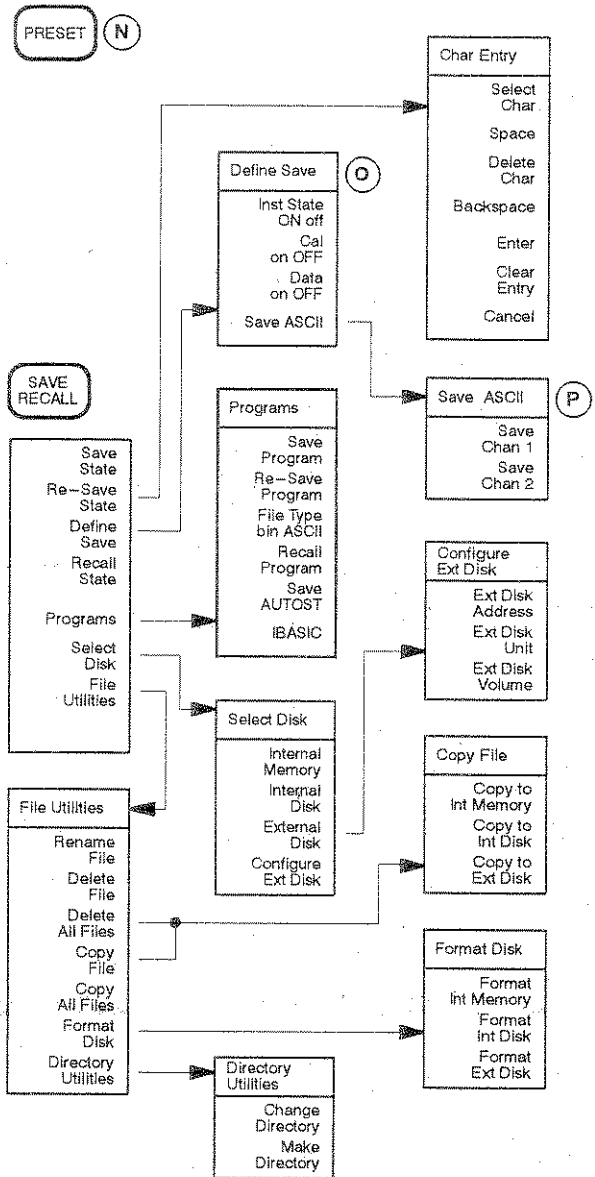
CONFIGURE KEYS (continued)

- (K) **{Bandwidth}**: channel 1 places marker 1 at max, markers 5 and 6 at target, marker 3 at center frequency (CF).
{Tracking ON}: updates search (for max, min, target) each sweep.



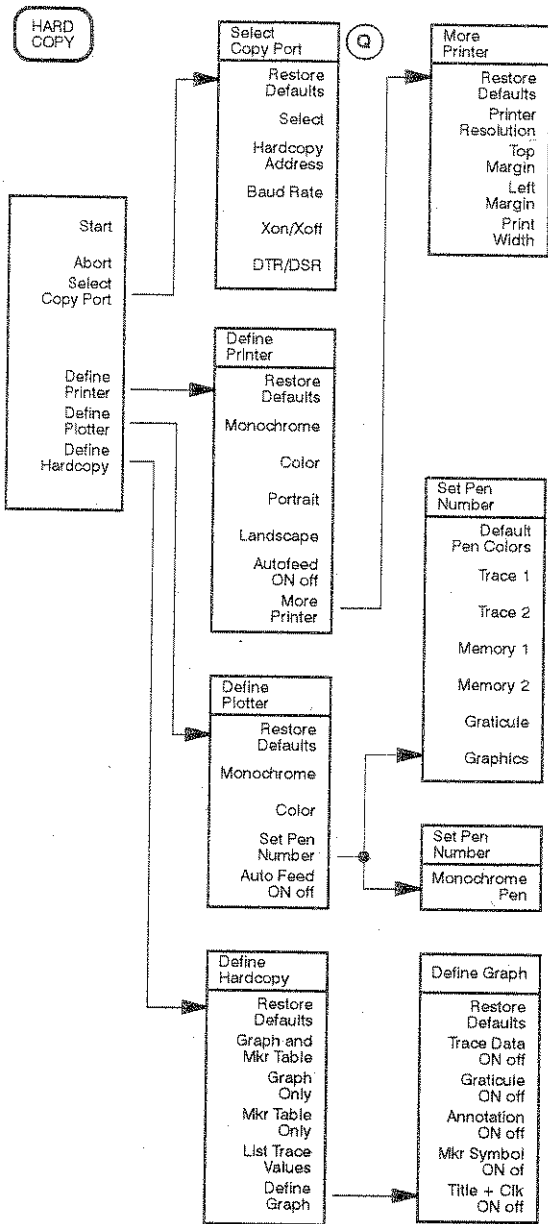
- (L) **{75 Ohm Formats}**: option 1EC.
- (M) **{System Bandwidth}**: Wide = fastest sweep. Medium (default) = medium sweep speed and dynamic range. Narrow = greatest dynamic range.

SYSTEM KEYS



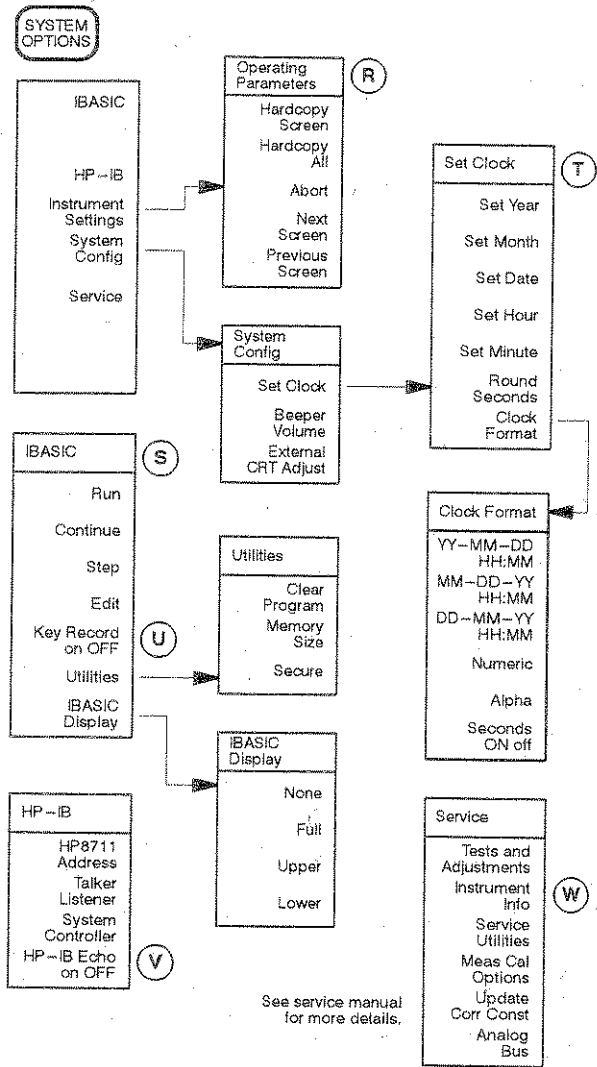
- (N) **{PRESET}**: resets analyzer to predefined instrument state (full frequency range, 0 dBm output power, 201 points, averaging off, medium system bandwidth, etc.: see note (R) or Appendix A, chapter 7.) Note: power-up resets analyzer to last-used instrument state.
- (O) **{Define Save}**: defines the combination of instrument state, calibration, and data to save.
- (P) **{Save ASCII}**: saves trace data in ASCII format for output only.

SYSTEM KEYS (continued)



- Q {Select Copy Port}: indicate choice of printer or plotter for hardcopy output or internal disk drive.
- {Select}: selects above choice.
- {Hardcopy Address}: for HP-IB devices.
- {Baud Rate}: for serial devices.
- {Xon/Xoff}: software handshake for serial devices.
- {DTR/DSR}: hardware handshake for serial devices.

SYSTEM KEYS (continued)



- R {Operating Parameters}: displays current instrument configuration and operating conditions. Press [Preset] first for preset settings.
- S {IBASIC}: option IC2. Creates and runs programs.
- T {Set Clock}: use with [DISPLAY] {More Display} {Title and Clock} to see on screen.
- U {Key Record ON}: captures keystrokes to write IBASIC programs.
- V {HP-IB Echo ON}: displays HP-IB mnemonics on screen when keys are pressed.
- W {Instrument Info}: displays firmware rev, serial number, options, memory.

See service manual for more details.