

KENWOOD

TM-401A**UHF FM TRANSCEIVER****INSTRUCTION MANUAL**

Illustrated is the USA version.

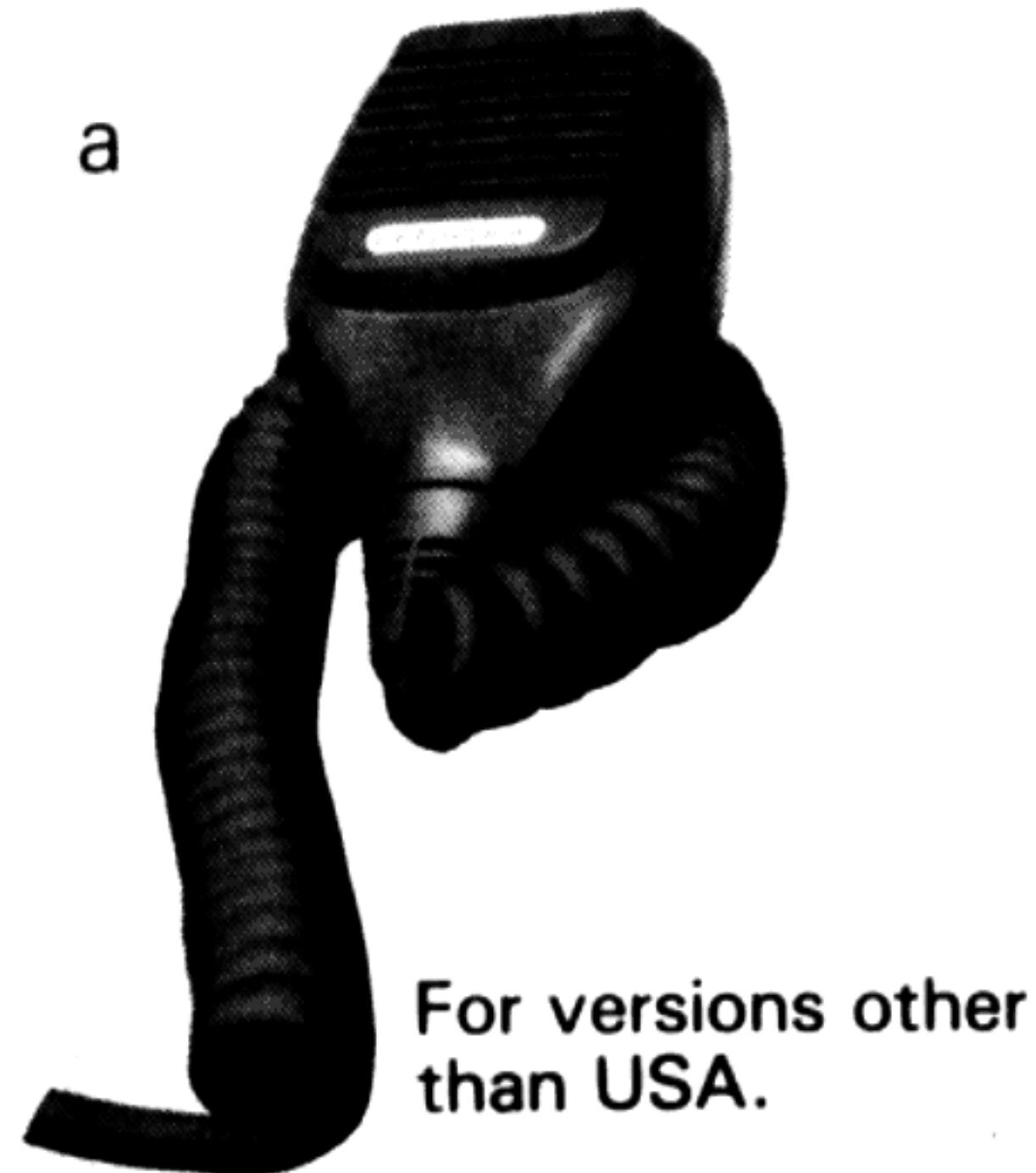
You are the owner of our latest product, the new TM-401A transceiver. Please read this instruction manual carefully before placing your transceiver in service. The unit has been carefully engineered and manufactured to rigid quality standards, and should give you satisfactory and dependable operation for many years.

CONTENTS:

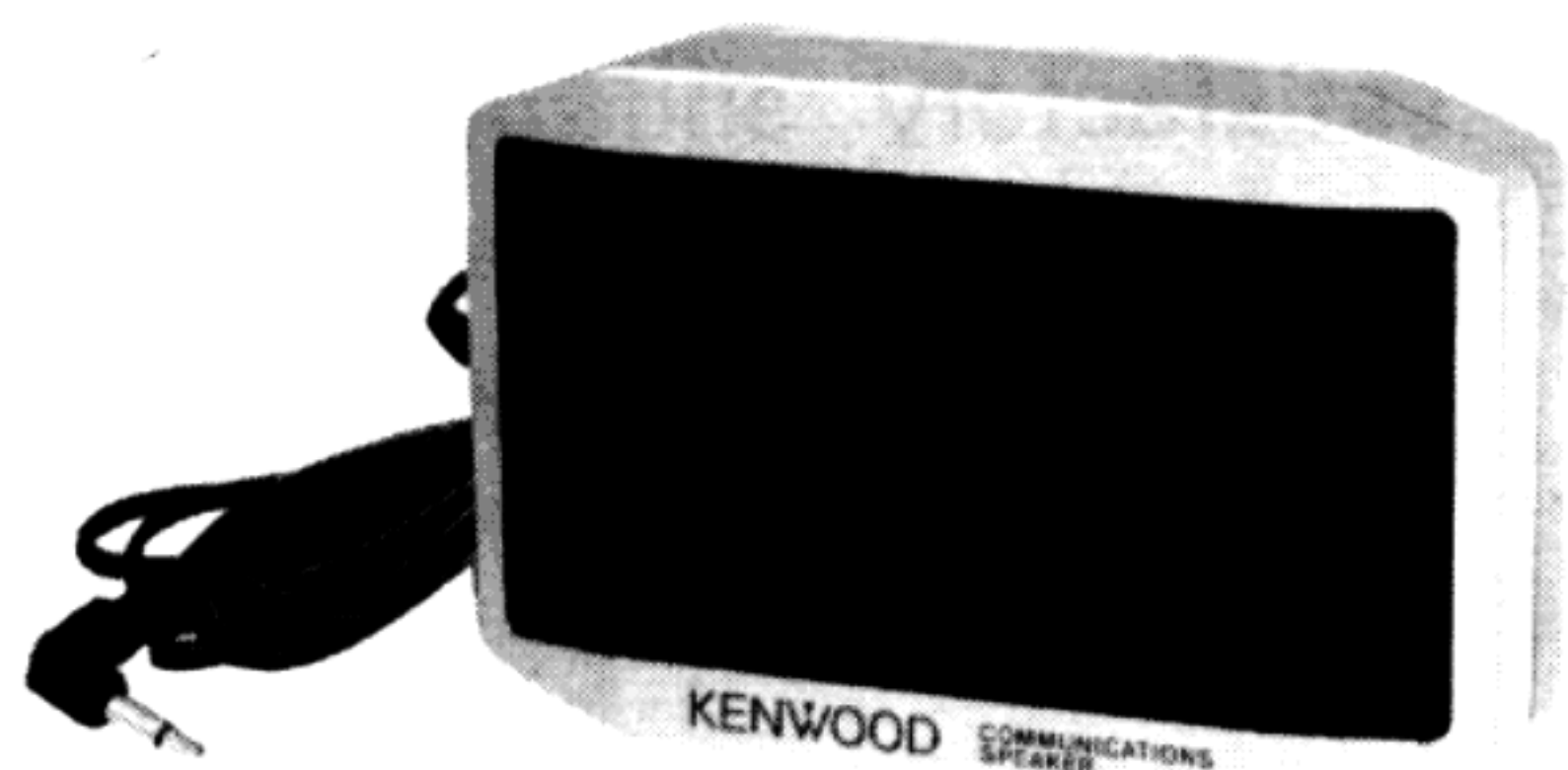
1. FEATURES.....	3
2. CONTROLS AND THEIR FUNCTIONS	4
3. INSTALLATIONS AND CONNECTIONS	9
4. OPERATION	13
5. MAINTENANCE AND ADJUSTMENT.....	18
6. ACCESSORIES	19
7. BLOCK DIAGRAM	22,23
8. SPECIFICATIONS	23,24

■ ACCESSORIES

①



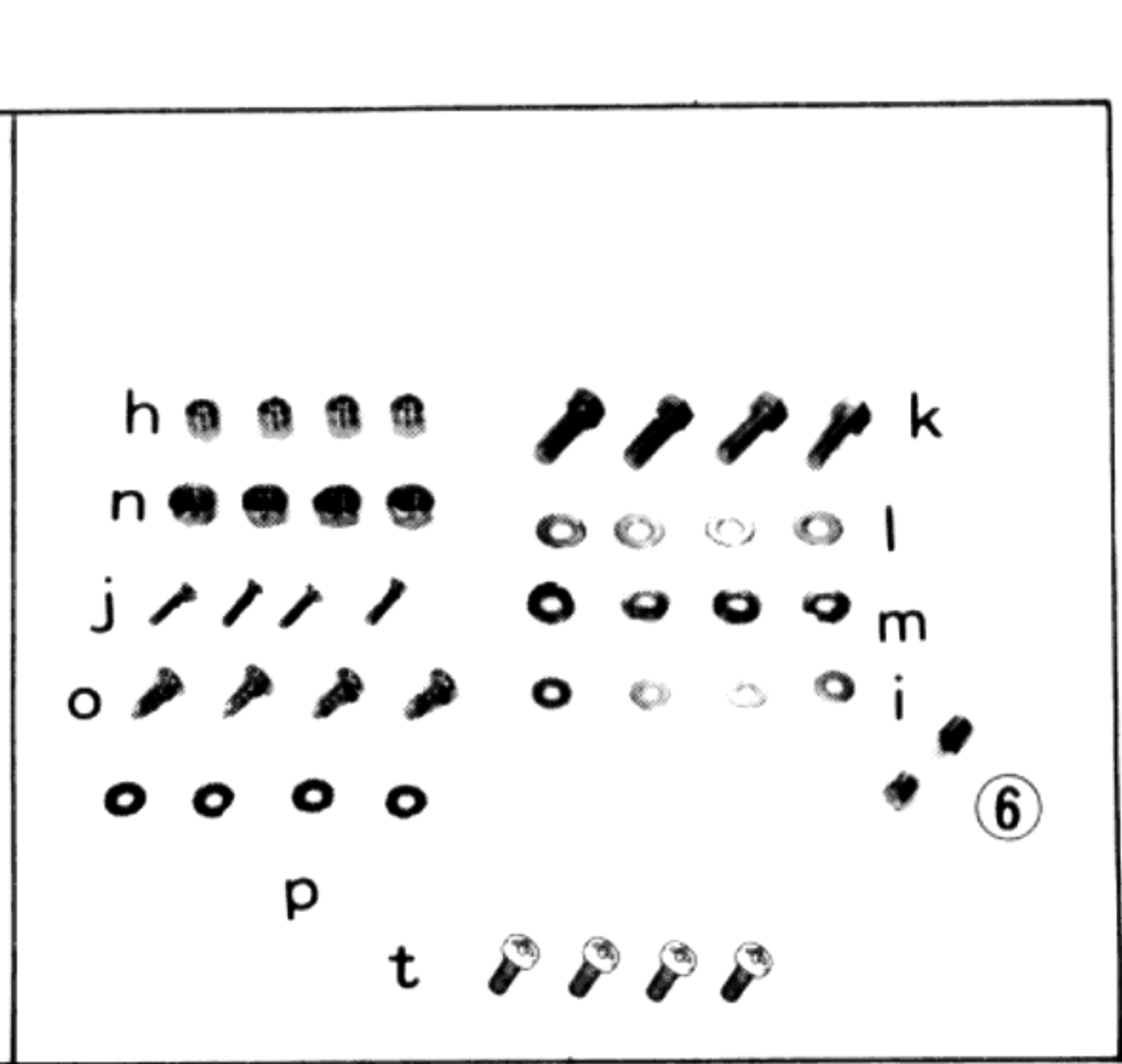
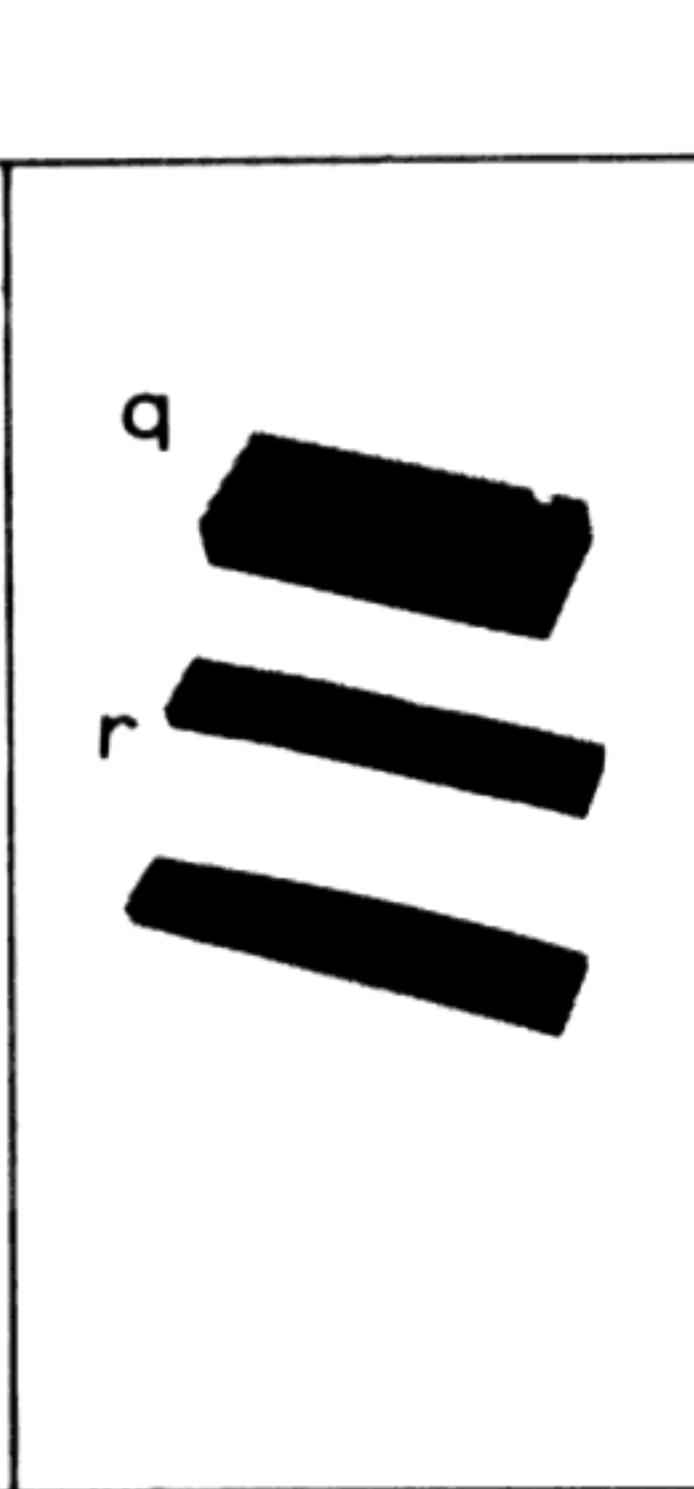
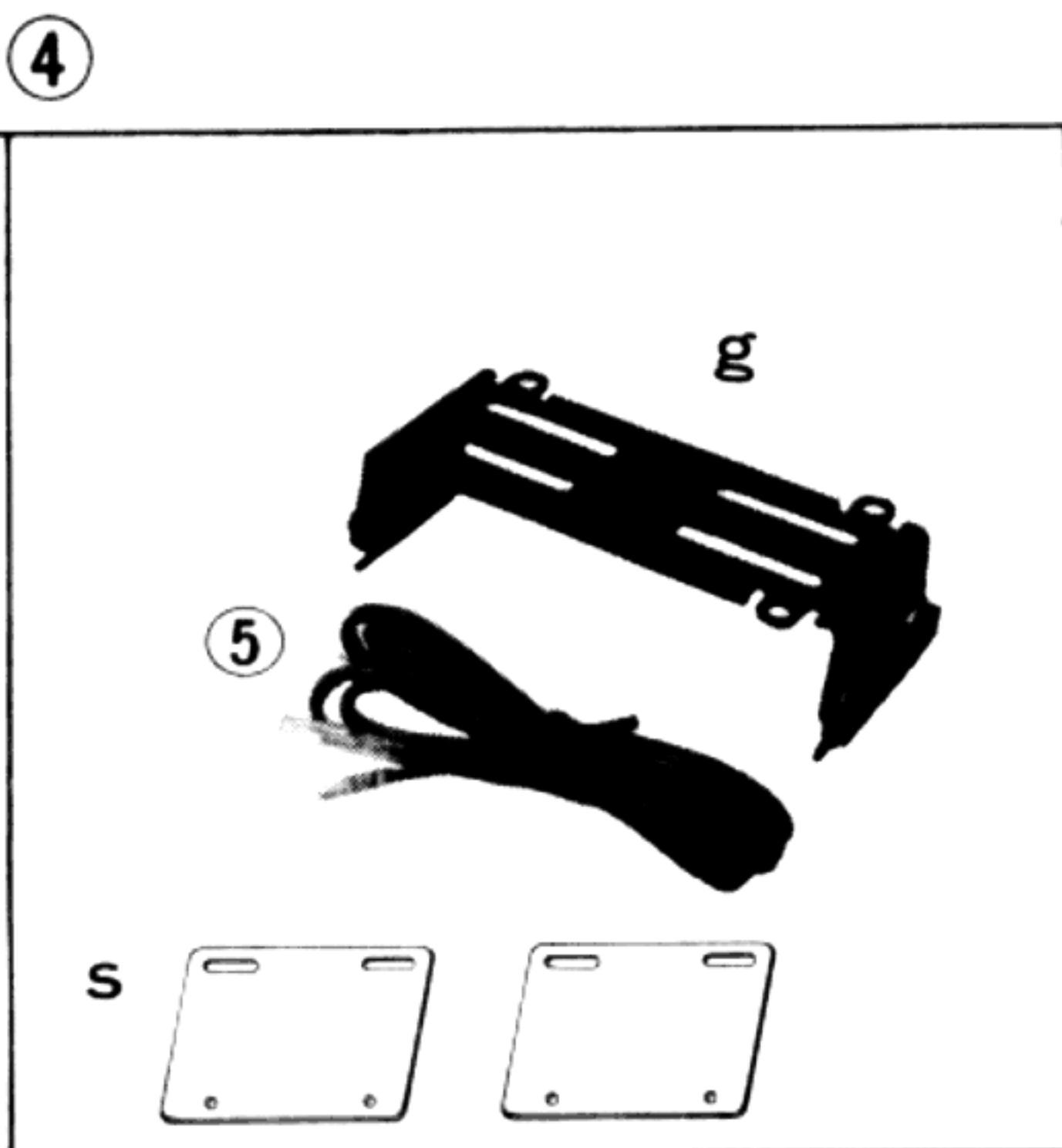
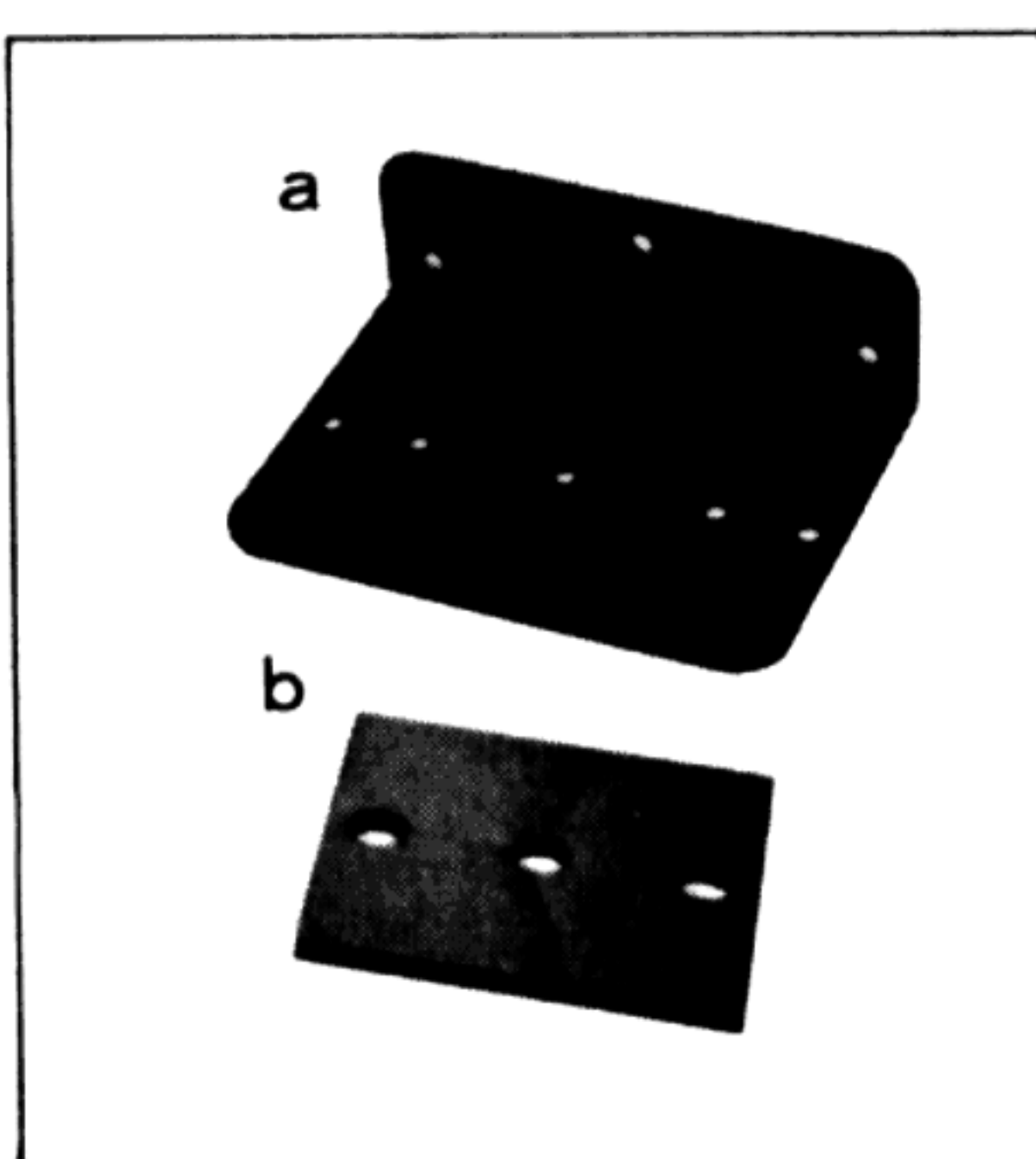
②



Carefully unpack your TM-401A and check that it is supplied with the following accessories:

- ① Microphone
 - a Dynamic microphone(T91-0331-05).... 1 pc.
 - b Electret condenser microphone with touch-tone ... (T91-0332-05).... 1 pc.
- ② Communications speaker (with 2.5 m lead)(T19-0101-05).... 1 pc.
- ③ Speaker mounting kit
 - a Bracket.....(J21-2799-13).... 1 pc.
 - b Cushion (A)(G13-0680-04) ... 1 pc.
 - c Tapping screw ($\phi 4 \times 8$)(N87-4008-41) .. 4 pcs.
 - d Flat head tapping screw ($\phi 4 \times 8$)(N88-4008-41) .. 2 pcs.
 - e Round head screw ($\phi 4 \times 10$)(N30-4010-41) .. 2 pcs.
 - f Hex. head nut ($\phi 4$)(N10-2040-41) .. 2 pcs.
- ④ Mobile mounting kit
 - g Mounting bracket.....(A13-0640-12) ... 1 pc.
 - h Boss(J32-0775-04) .. 4 pcs.
 - i Flat washer for boss ($\phi 3$)(N19-0631-05) .. 4 pcs.
 - j Flat screw for boss ($\phi 3 \times 14$)(N32-3014-41) .. 4 pcs.
 - k Round head screw ($\phi 6 \times 20$)(N09-0008-04) .. 4 pcs.
 - l Flat washer ($\phi 6$)(N15-1060-46) .. 4 pcs.
 - m Spring washer ($\phi 6$).....(N16-0060-46) .. 4 pcs.
 - n Flange nut ($\phi 6$).....(N14-0510-04) .. 4 pcs.
 - o Tapping screw ($\phi 5 \times 12$)(N09-0632-05) .. 4 pcs.
 - p Flat washer ($\phi 5$)(N15-1050-46) .. 4 pcs.
 - q Cushion (B)(G13-0683-04) ... 1 pc.
 - r Cushion (C)(G13-0686-04) .. 2 pcs.
 - s Stack plates.....(J21-2800-04) .. 2 pcs.
 - t Bind screws.....(N35-3006-45) .. 4 pcs.
- ⑤ DC power cord (Approx. 2 m)(E30-1689-15).... 1 pc.
- ⑥ Spare fuse (5A)(F05-5022-05).... 1 pc.
- ⑦ Instruction manual(B50-4060-00) .. 1 copy

③



■ AFTER UNPACKING

Shipping container:

Save the boxes and packing in the event your unit needs to be transported for remote operation, maintenance, or service.

The following explicit definitions apply in this manual:

Note: If disregarded, inconvenience only, no risk of equipment damage or personal injury.

Caution: Equipment damage may occur, but not personal injury.

1. FEATURES

- **Compact, slim transceiver for easy mobility**

1. Coaxial connector with cable greatly reduces effective depth when connecting an antenna cable.
2. External speaker system allows installation in any place.
3. Remote frequency control unit (FC-10) extends your operation facility.

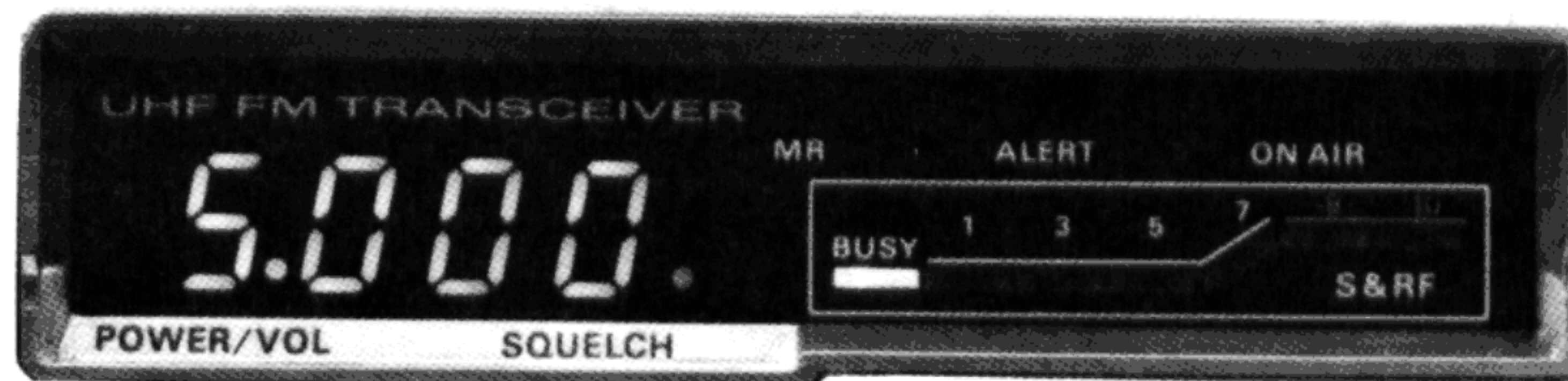
- **Microcomputer provides multi-frequency control functions**

1. Five channel memories plus COM* channel can be recalled at will.
2. ALERT function monitors memory channel 1 (M1).
3. Memory scan operation (MS) from memory channels 1 through 5.
4. Programmable scan within the frequency range selectable.
5. 1 MHz step-up function (MHz).
6. VFO A in 25 kHz steps; VFO B in 25 kHz steps.
7. Beeper indicates each of 7 modes.

- **Dual function keyboard facilitates memory recall (MR)**



- **High reliability by using PC boards for each unit; high sensitivity (12 dB SINAD 0.2 μ V) front-end using GaAs FETs**



- **Quality sound for transmission and reception**

1. External communications speaker, 77 mm in dia., supplied.
2. Maximum 3% modulation distortion ensures good quality transmit signal.

- **HI/LOW switch controls output power**

- **Repeater operation**

1. COM* system facilitates access to repeaters with the TU-3* unit (option) installed.
2. The TU-3 2nd tone frequency (one of 37 frequencies selectable) interconnected with the TX OFFSET system enables access to a repeater.
3. The REV switch monitors direct signal.

* European and British versions excluded.

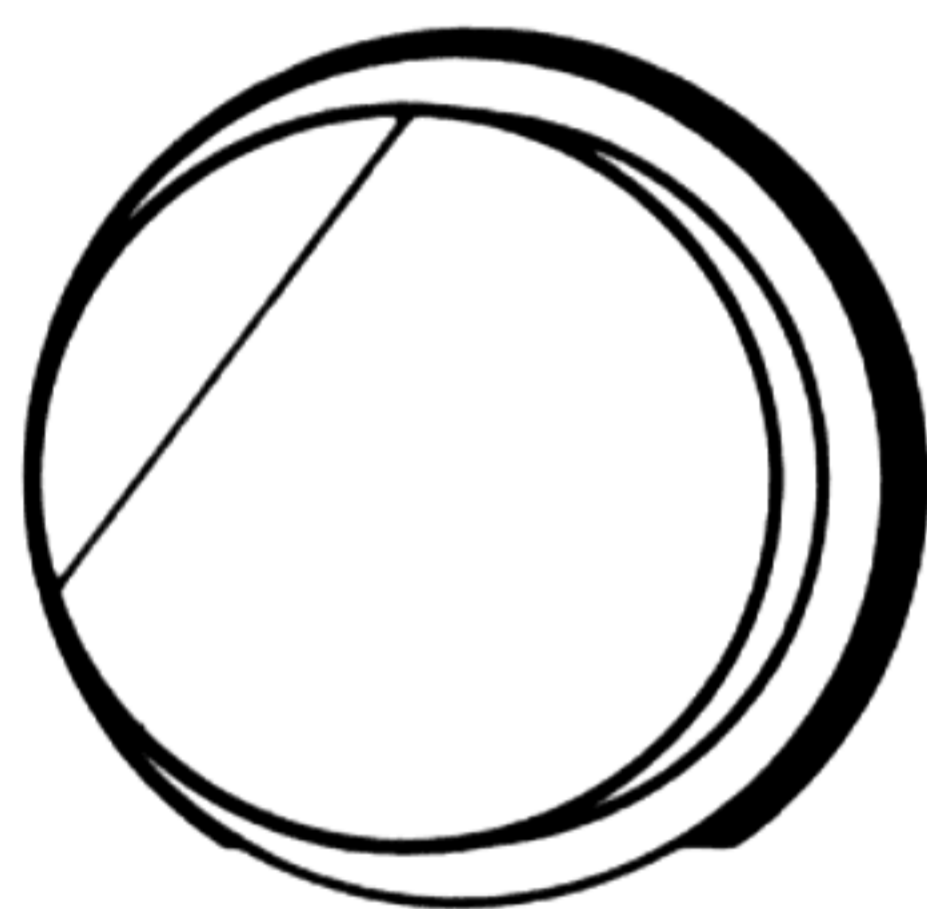
2. CONTROLS AND THEIR FUNCTIONS

Note: Illustrated is a version other than that of Europe/England.



FRONT PANEL

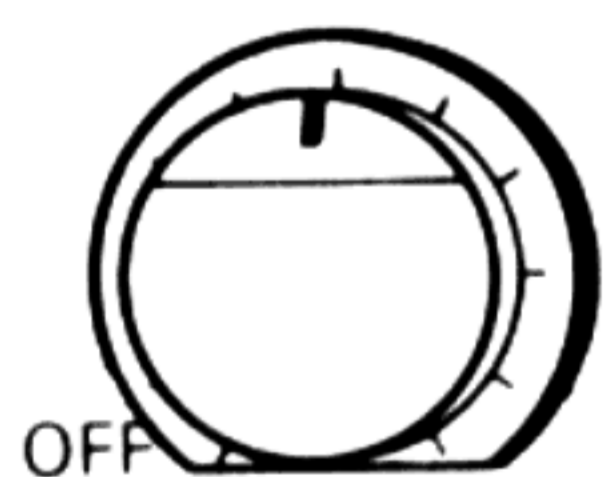
1 Tuning control (VFO)



Used to set frequency for transmission and reception. One step (depending upon VFO step) per one click shifts up and down. During memory recall operation, turning this control restores the operation to VFO with the frequency displayed.

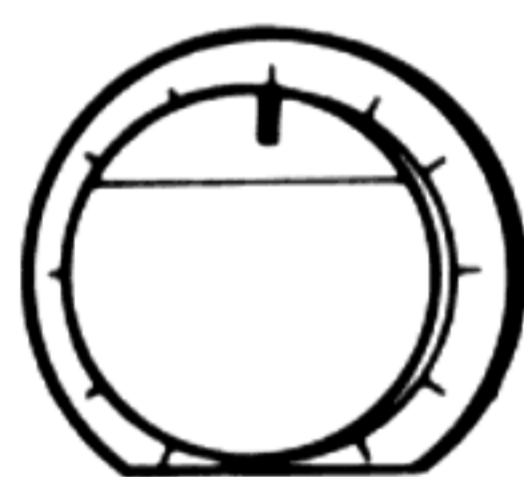
Note: One click rotation shifts the displayed frequency one step up or down. However, the frequency step may not be changed due to microcomputer transient.

2 POWER/VOL



Power ON-OFF switch and volume control are combined. Turning the control fully counterclockwise will turn the power OFF. Clockwise rotation will increase the volume.

3 SQUELCH



The squelch control is used to eliminate noise during no-signal time. Normally, this control is adjusted clockwise until the noise disappears. For scan operation, this control must be set to the threshold point.

4 Keyboard

(a) MR/M1 (memory recall) key

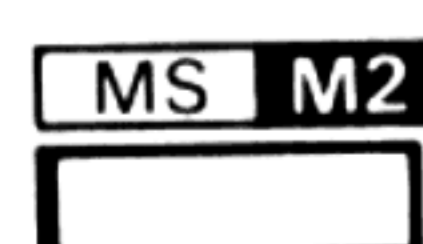


Used to recall memory channel.

When depressed, memory channel 1 is recalled. The MR indicator lights to show the memory recall is in operation.

When recalling one of the memories in M2 ~ M5, depress the MR/M1 key then the corresponding key of M2 ~ M5.

(b) MS/M2 (memory scan) key

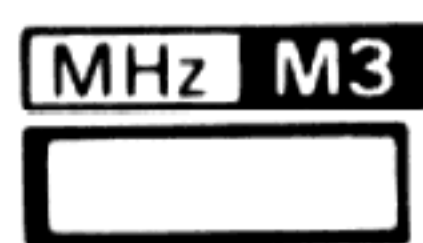


Used to initiate scan for memory channels.

During memory recall operation, depressing this key recalls memory CH2.

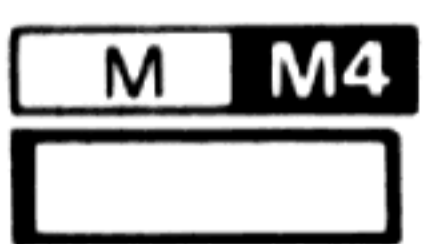
During memory scan, depressing this key recalls the next memory channels.

Ⓒ **MHz/M3 (1 MHz up) key**



When depressed, the displayed frequency shifts up 1 MHz. During memory recall operation, depressing this key recalls memory CH3.

Ⓓ **M/M4 (memory input) key**

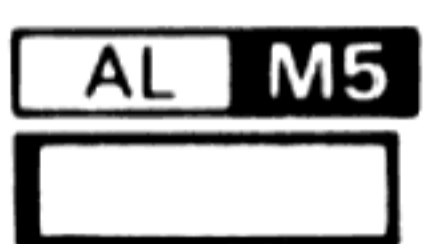


Used to store the desired frequency in memory channel (and in COM channel: European and British versions excluded).

For memory input, refer to page 15.

During memory recall operation, depressing this key recalls memory CH4. In memory CH4, transmit and receive frequencies are stored independently for odd split operation.

Ⓔ **AL/M5 (alert) key**



When depressed, the ALERT indicator lights to show alert operation is in progress.

Depressing this key again releases this operation. For more details, refer to page 17.

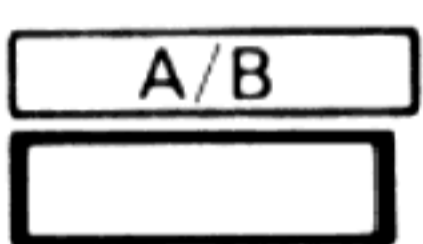
During memory recall operation, depressing this key recalls memory CH5.

Memory channel 5 is used for odd split operation as for memory channel 4.

The frequencies (transmit and receive) stored in CH5 designate frequency range limits for programmable scan operation.

For more details, refer to page 15.

Ⓕ **A/B (VFO A/B selection, scan stop) key**

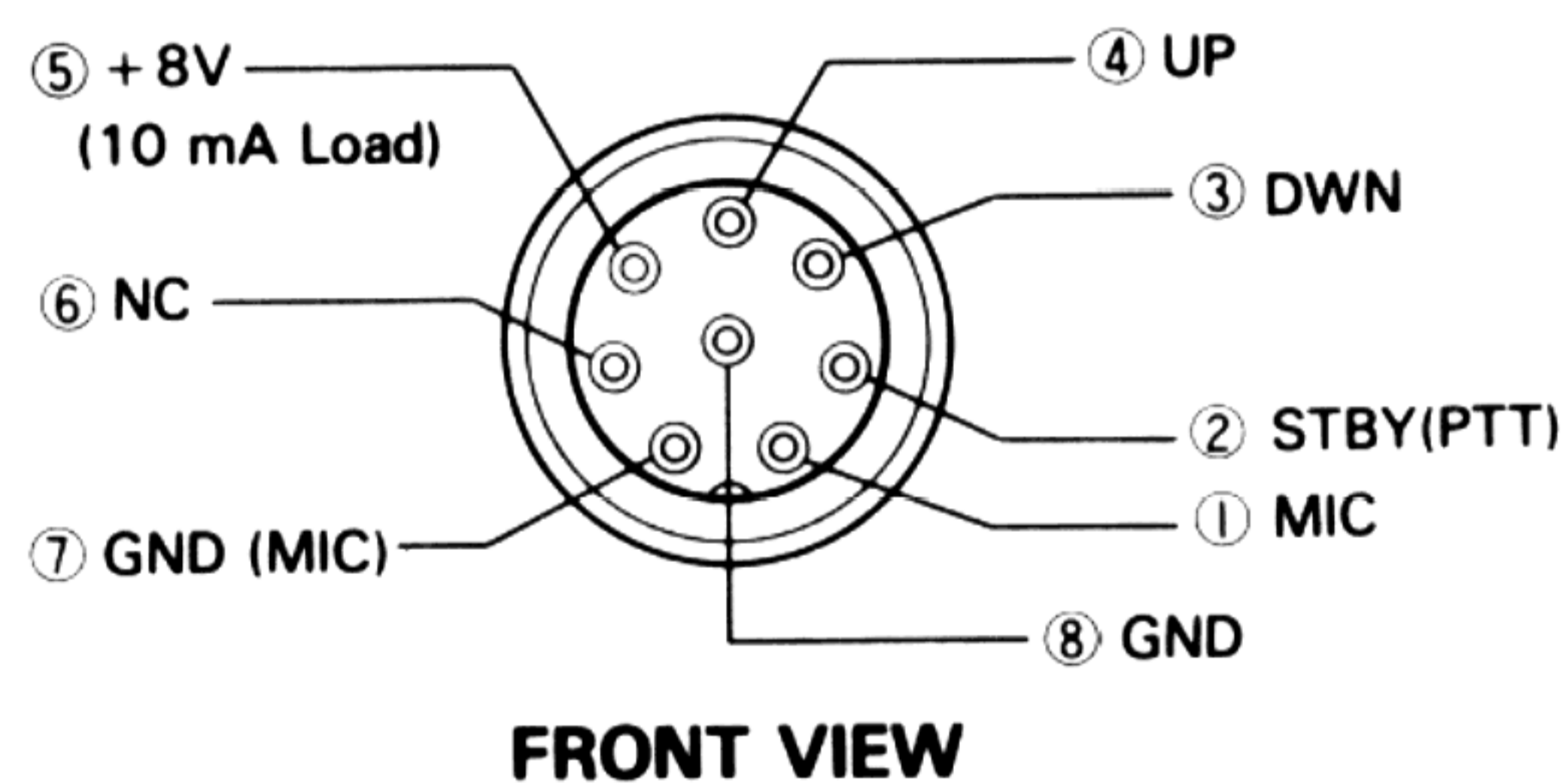


As shown in the table, this key provides three types of operation.

Mode	A/B key functions
VFO	Each time the key is depressed, VFO A and B are selected alternately.
MR	When depressed, VFO before memory recalled is restored.
SCAN	When depressed, scan is released.

⑤ **MIC connector (8 pin)**

Microphone audio input. Frequency UP/DWN control and PTT lines are included. Pin assignments of the MIC connector are shown below.



Note: Do not apply voltage to pins ②, ③, and ④. The pin ⑤ should not be shorted nor applied any voltage.

⑥ **COM (common channel) key**

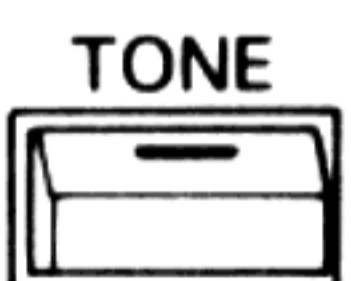
For users other than Europe and England.



When the key is depressed, the common channel can be recalled any time. This channel can be changed to your desired frequency. For common channel replacement, refer to page 15. To release common channel operation, depress this key. No other key can release the operation.

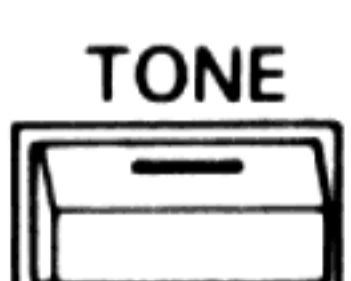
When the optional TU-3 tone unit is installed, the 1st tone frequency is emitted when operating the COM channel.

TONE switch (For British version)



When this switch is pressed, the repeater control tone burst signal (1,750 Hz) is emitted for about 0.5 seconds at the beginning of each transmission.

TONE switch (For European version)

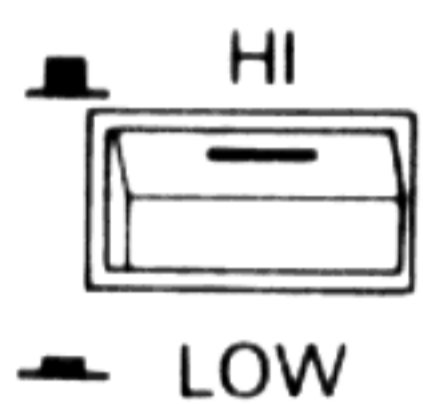


When this switch is pressed, the repeater control tone signal (1,750 Hz) circuit is activated and the unit is set in the transmit mode.

Note: Illustrated is a version other than that of Europe/England.



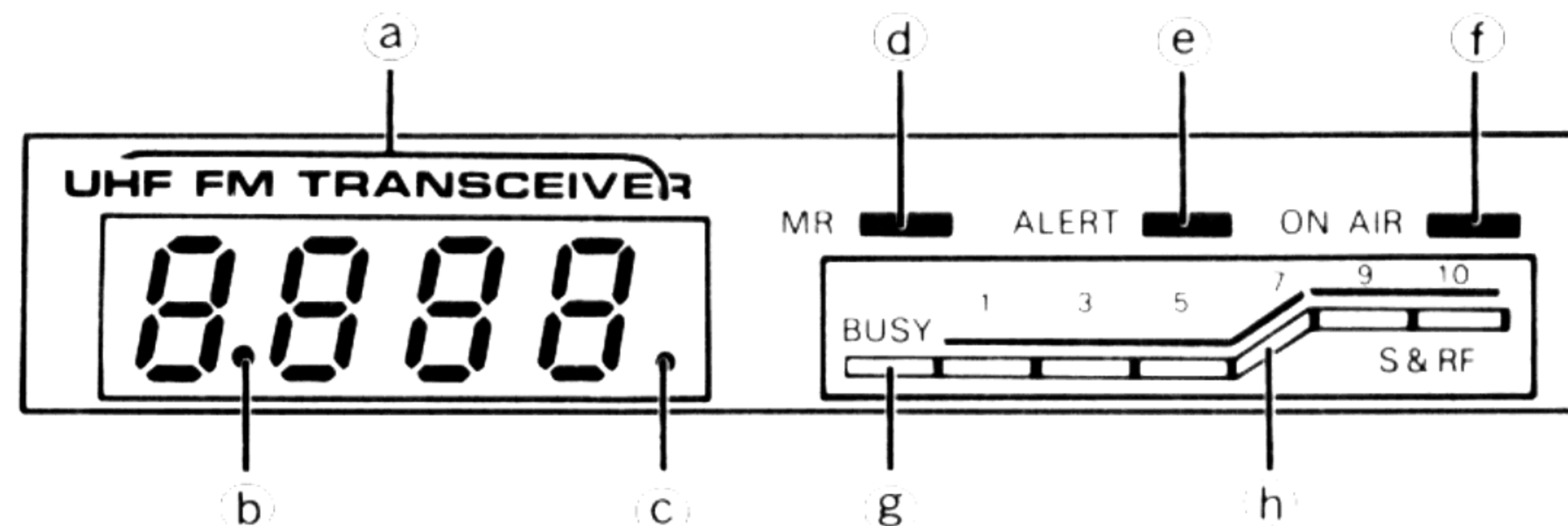
7 HI/LOW switch



HI setting: This setting allows the transmitter to transmit power output up to 12 watts.

LOW setting: This setting allows the transmitter to transmit power output approx. 1 watts.

8 Display



a) Frequency display

During VFO A or B, frequency, for example, 435.025 (445.025 for USA) is displayed in four digits as " 5.025 ".

During MR (M1 — M5) operation, frequency, for example, 435.250 (445.250 for USA) is displayed in four digits as " 5.250 ".

During COM* operation, frequency is displayed in four digits. At this time, zero at the last digit is half size.

* European and British versions excluded.

b) Scan indicator

During scan operation, this dot flashes.

In operation other than scan, this dot lights to show MHz.

c) VFO B indicator

Lights when VFO B is in operation.

d) MR indicator

Lights during memory recall operation (M1 — M5, MS).

e) ALERT indicator

Lights during alert operation.

f) ON AIR indicator

Lights when transmitting.

g) BUSY indicator

Lights during reception with squelch opened.

This can be used to see if the channel is busy or not.

h) S & RF meter

Indicates the incoming signal strength by LEDs during reception.

During transmission, LEDs light to show the RF output level strength.

With the HI/LOW switch HI, all LEDs light.

With the HI/LOW switch LOW, two to four LEDs light.

9 REV switch



Used to reverse the repeater shift to monitor a signal coming to a repeater. Setting this switch to ON in simplex operation locks the displayed frequency regardless of VFO, keyboard, and COM*.CH operations. (* European and British versions excluded.)

10 TX OFFSET switch

Used to set transmit frequency shifted from the displayed receive frequency when transmitting.

For operation other than that of a repeater, place this switch to the "S" position. This equalizes the transmit frequency with the receive frequency.

(* "+" setting shifts +5 MHz; "-" setting shifts -5 MHz from the receive frequency when transmitting.)-For European and British versions, refer to the table at the left.

Area	TX OFFSET	
	+	-
Europe	-1.6 MHz (D-A)	-7.6 MHz (D-B)
England	+1.6 MHz	-1.6 MHz

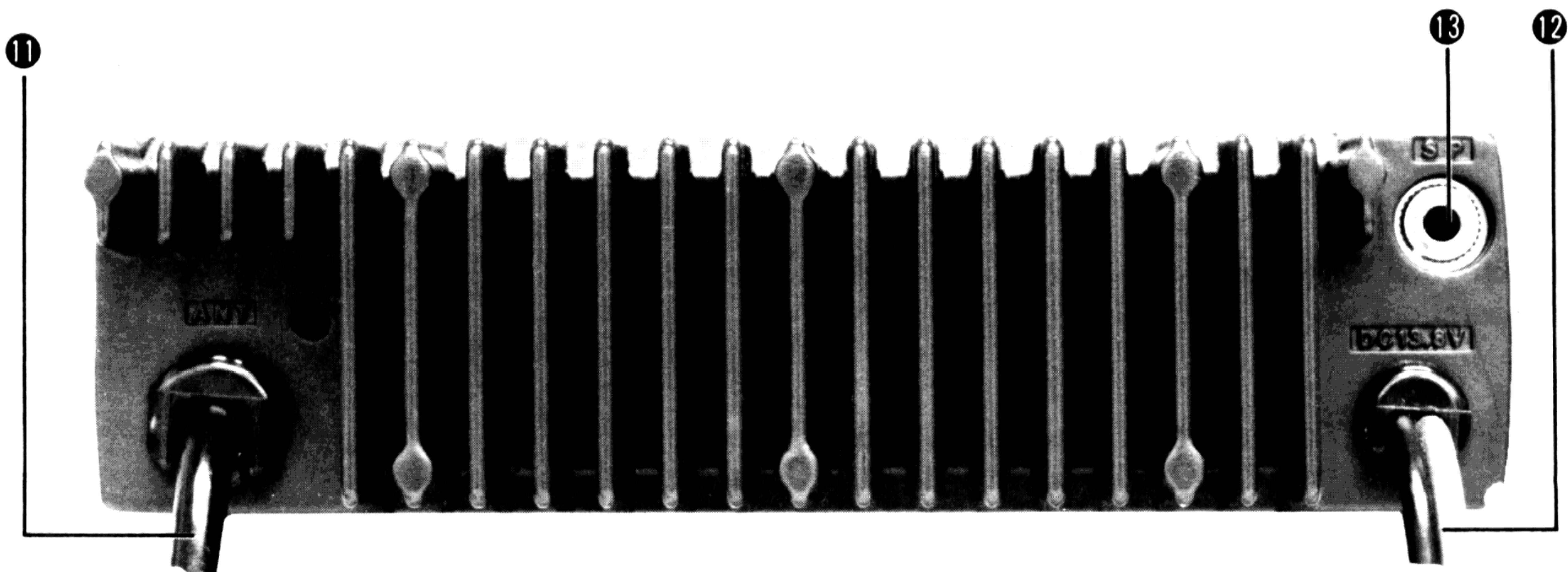
This operation is only effective in VFO and MR (M1 ~ M3) operations.

If a shift frequency goes beyond the operating frequency range when depressing the PTT switch to transmit, a beep will sound three times to indicate the misoperation.

However, transmit frequency is emitted in simplex mode.

(* With the optional TU-3 tone unit installed, either "+" or "-" setting of the TX OFFSET switch interconnects the TU-3 2nd tone frequency setting. (* European and British versions excluded.)

REAR PANEL



11 ANT connector lead

Connect a 50-ohm antenna to this terminal.

12 DC Power Terminal

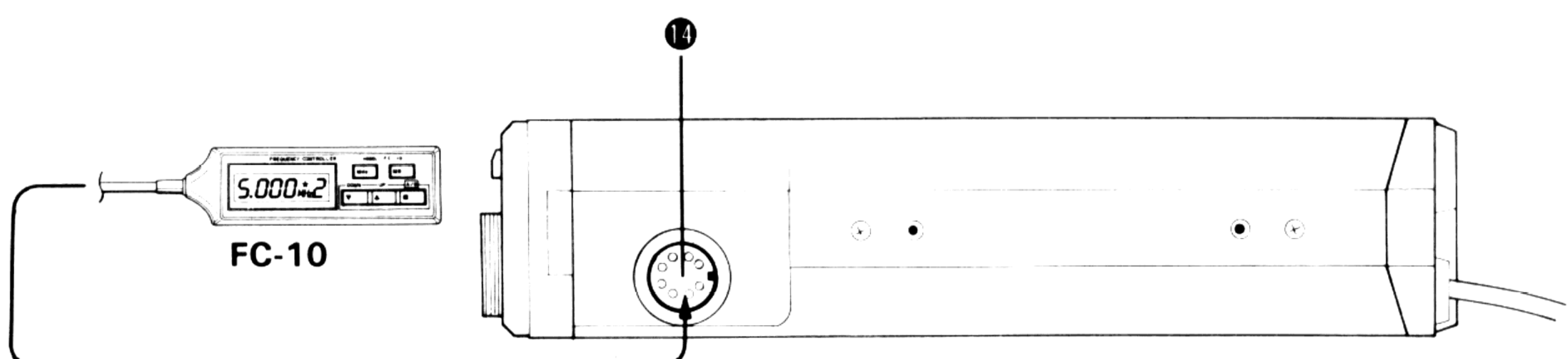
DC power input terminal. Connect the supplied power cord with plug. Input voltage is 13.8 V DC.

Observe plus (+) and minus (-) polarity!

13 SP Terminal

Connect the supplied 8 ohm speaker to this jack.

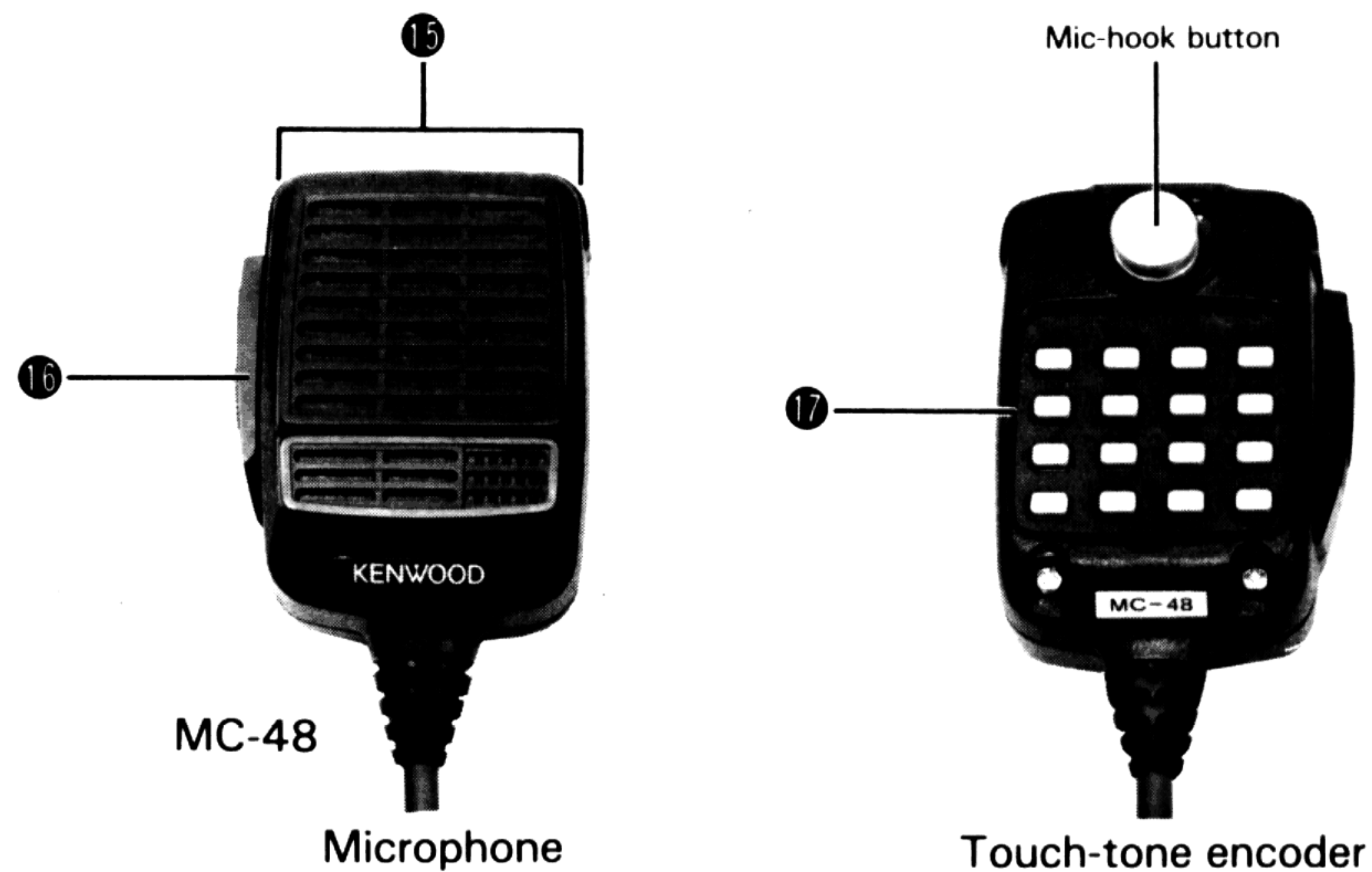
RIGHT SIDE PANEL



14 Remote jack

Used to connect the optional FC-10 unit, controlling the operation frequency.

■ MICROPHONE (For U.S.A. version)



15 UP/DWN switches

- 1) Depressing the UP or DWN key momentarily shifts the displayed frequency one step up or down.
Holding the key depressed continuously shifts the frequency up or down.
- 2) Holding the UP or DWN key depressed for about one second initiates scan operation. The scan direction depends on the UP or DWN key operated.
- 3) Depressing the UP or DWN key during MR operation will change the operation from MR to VFO.

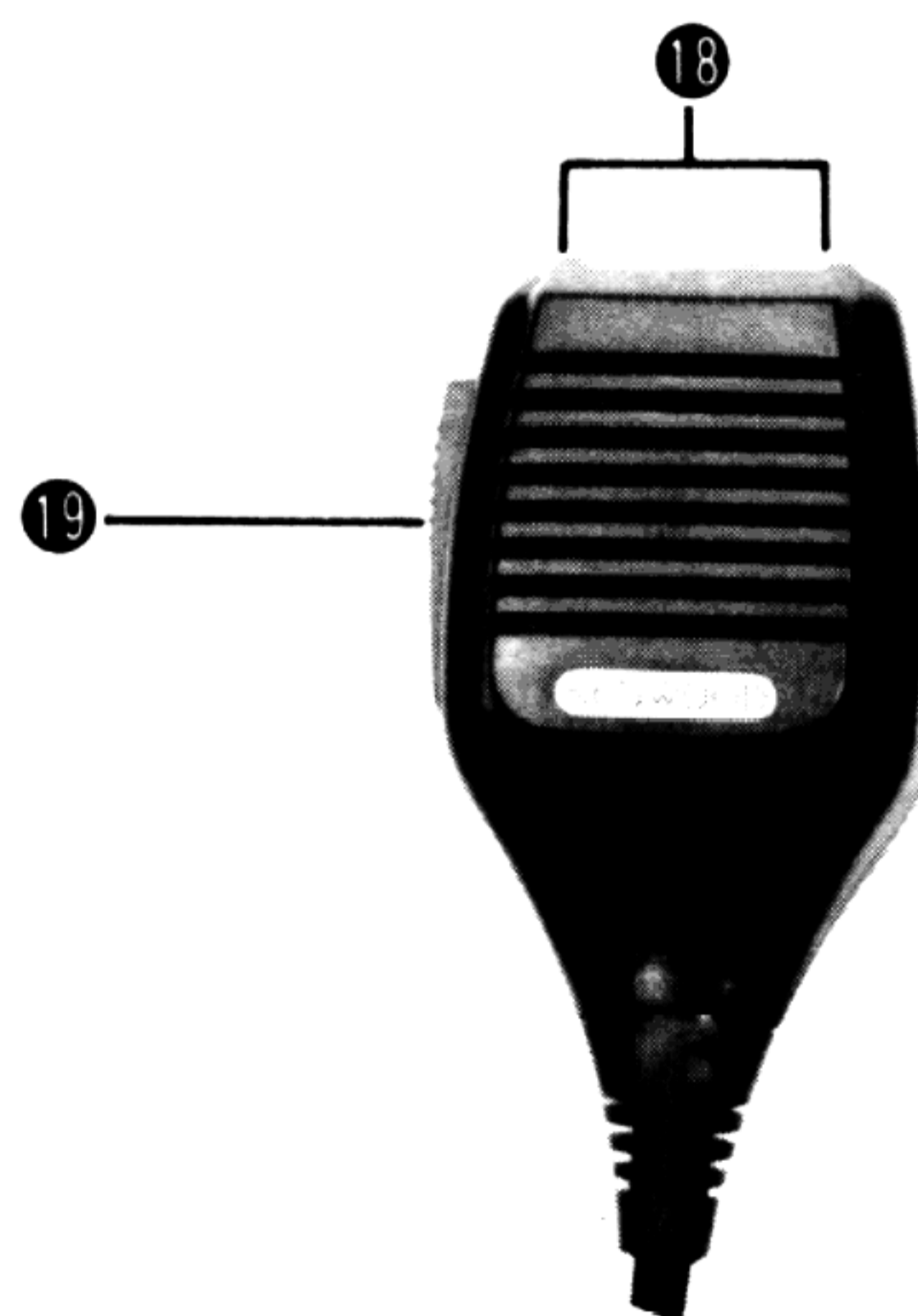
16 PTT Switch

Press-to-talk switch is used for transmission. This will also releases scan operation. When releasing the SCAN operation, transmission is inhibited.

17 16 Touch-Tone Keys (Auto-patch operation)

Used to activate the touch-tone encoder.

■ MICROPHONE (For versions other than U.S.A.)



18 UP/DWN switches

- 1) Depressing the UP or DWN key momentarily shifts the displayed frequency one step up or down.
Holding the key depressed continuously shifts the frequency up or down.
- 2) Holding the UP or DWN key depressed for about one second initiates scan operation. The scan direction depends on the UP or DWN key operated.
- 3) Depressing the UP or DWN key during MR operation will change the operation from MR to VFO.

19 PTT switch

Press-to-talk switch used for transmission. This will also release scan operation. When releasing the scan operation, transmission is inhibited.

3. INSTALLATIONS AND CONNECTIONS

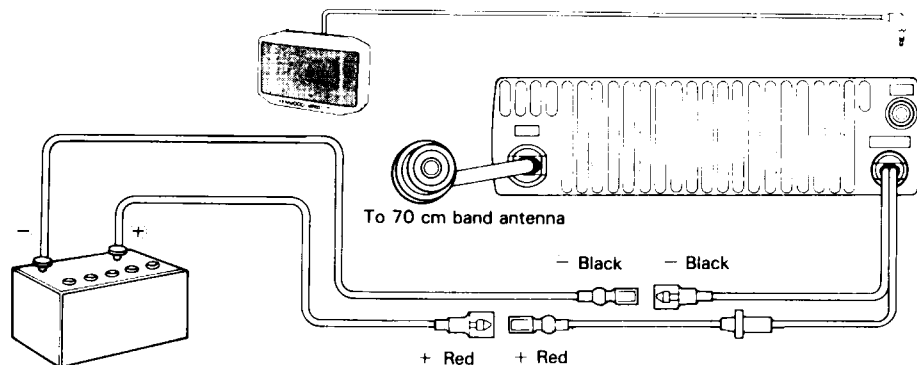
■ ANTENNA

The performance of the transceiver depends upon the type of antenna to be used. To ensure the maximum performance of the TM-401A, select a suitable antenna and adjust it for low VSWR.

■ MOBILE INSTALLATION

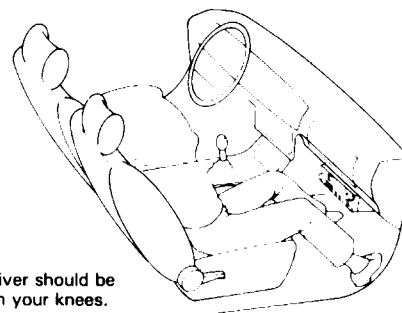
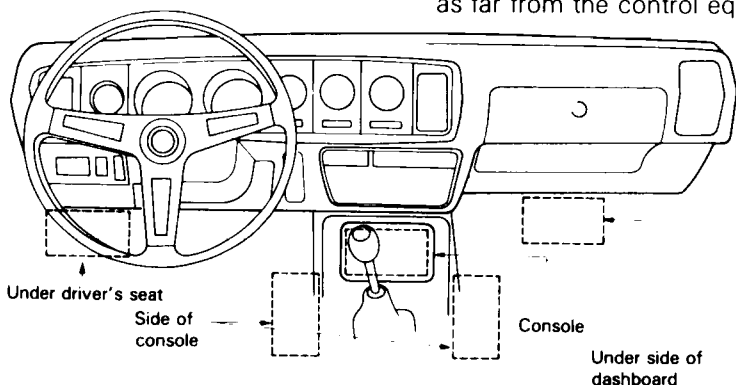
• Interconnection

The TM-401A is equipped with a speaker.



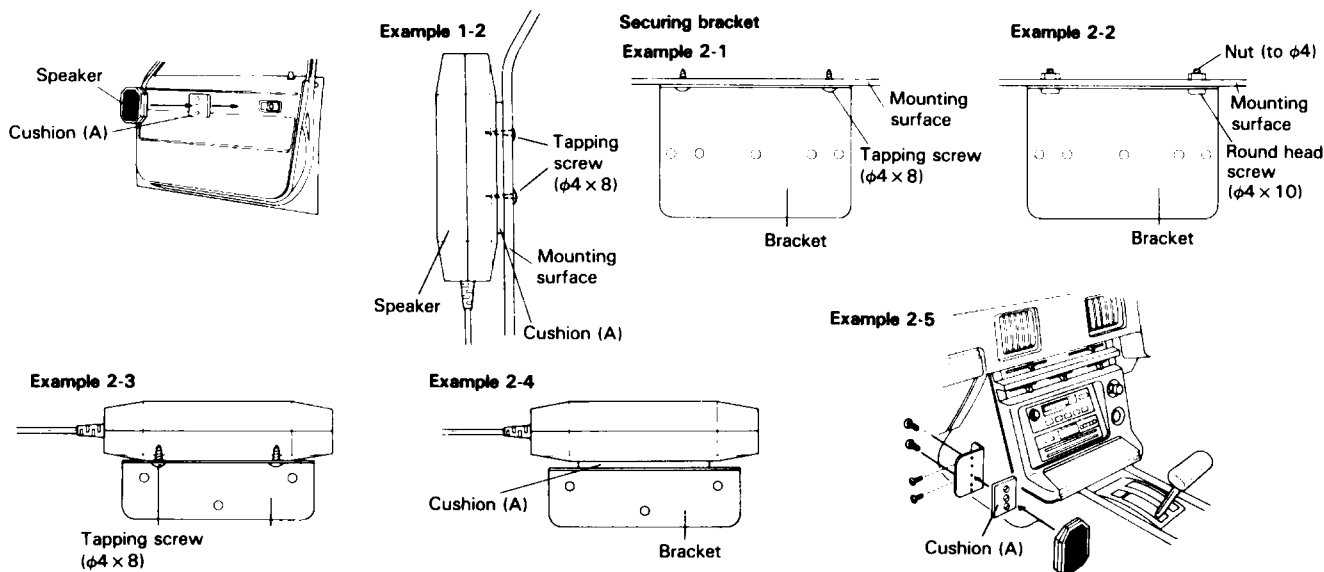
• Installation location

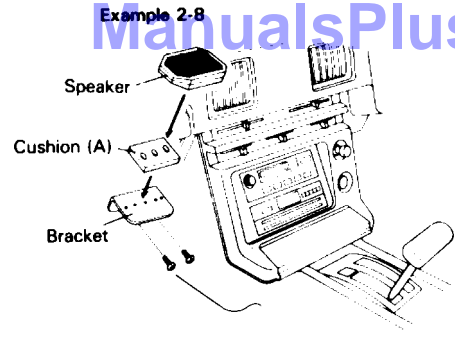
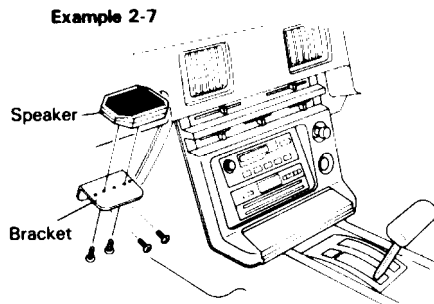
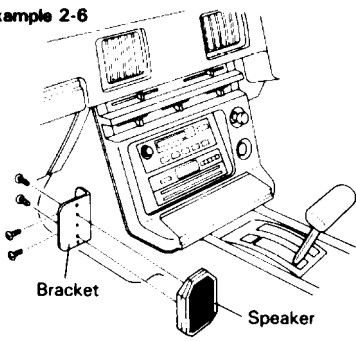
Using the supplied mounting bracket, install the transceiver under the dashboard or on the side of the console in your car as shown. If your car is equipped with an electronic fuel injector, the transceiver should be as far from the control equipment as possible.



■ COMMUNICATIONS SPEAKER INSTALLATION

Note: To keep driving safe, do not install the speaker to the ceiling.

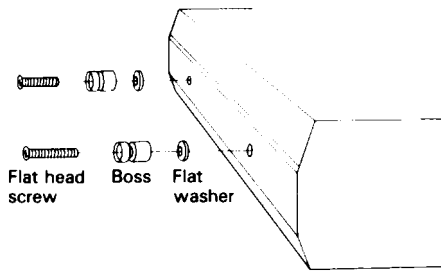




• Installation procedure

- 1) Secure the bosses on each side with 4 flat head screws. **(Fig. a)**
- 2) Affix the cushion (c) on each side of the mounting bracket. **(Fig. b)**
- 3) Secure the mounting bracket to a car chassis as shown in **Fig. c**.
When installing the bracket, be sure the front part of the bracket faces you.
- 4) Insert the transceiver as shown in **Fig. d** so the bosses on the transceiver slide into the grooves of the mounting bracket.
- 5) To stack with the TM-201A (2 m), first secure the supplied stack plate to the TM-401A with bosses then stack the TM-201A, second insert the stacked transceivers as shown in **Fig.d** so the bosses on the upper transceiver slide into the grooves of the mounting bracket.

Fig. a Boss securing



Be sure to use flat washers. Otherwise, installation to the mounting bracket is not done well. However, when stack installation with the TM-201A is attempted, do not use these washers since the stack plates are used.

Fig. b Cushion attachment

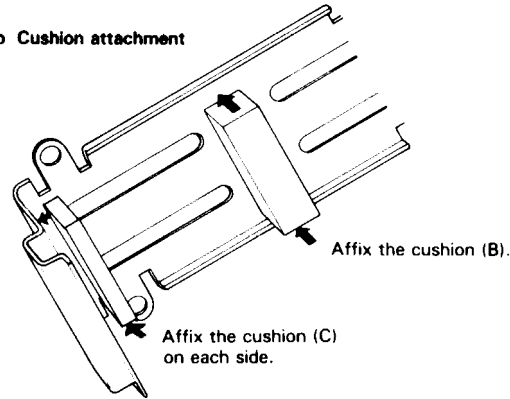


Fig. c Mounting bracket installation

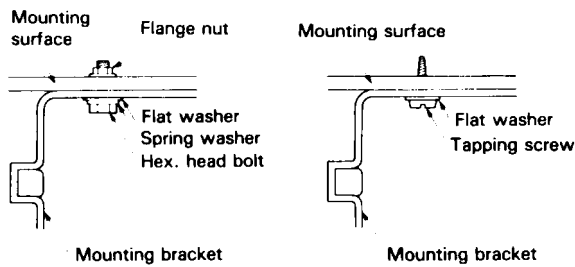
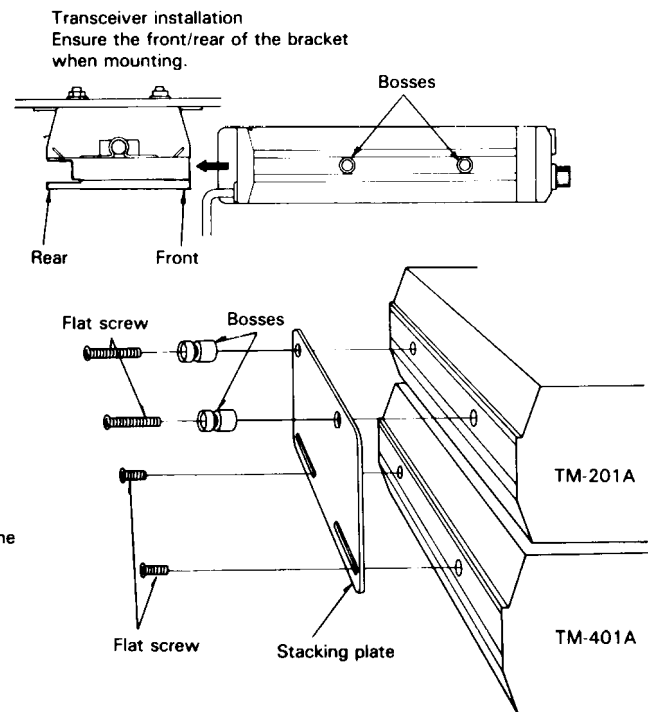
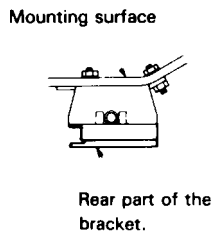


Fig. d Transceiver installation



To install the bracket on a bent mounting surface, bend these parts as shown.

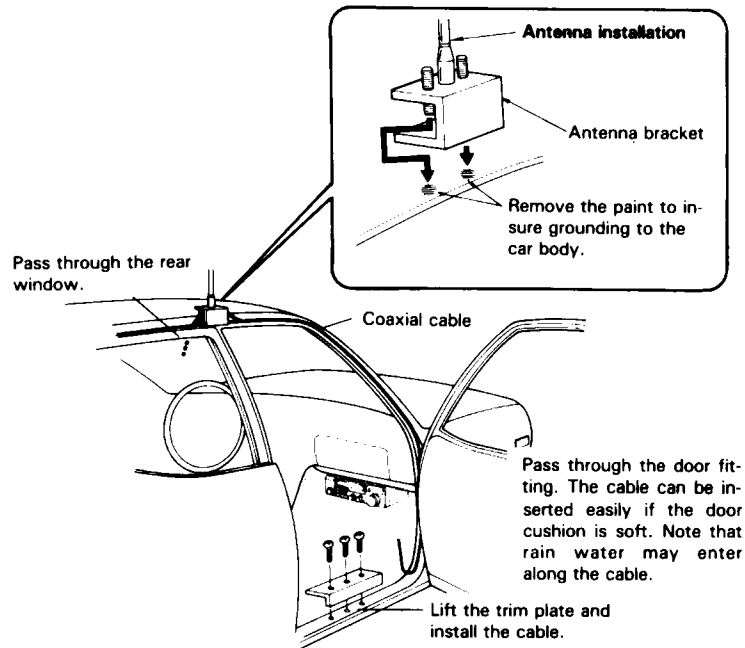
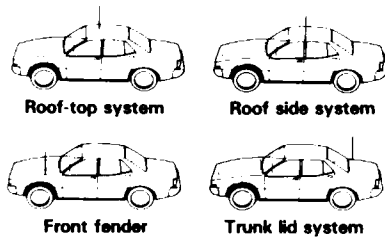


• Antenna Installation

Various types of antennas for UHF mobile operation are available.

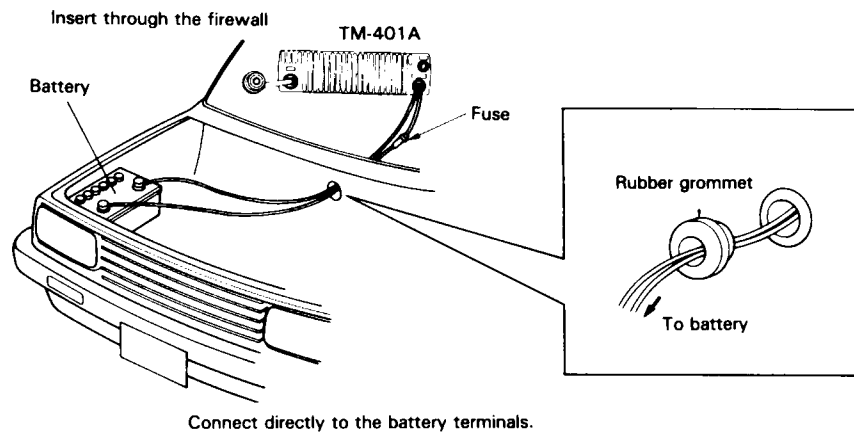
Note:

For gutter-mount installation, the antenna bracket must be grounded to the car body as shown below. Affix the antenna securely, referring to the antenna instruction.



• Power supply

Connect the supplied power cable with fuse directly to the battery terminals. Connecting to the cigarette lighter socket can cause a poor connection, and excessive voltage drop.



• Ignition noise

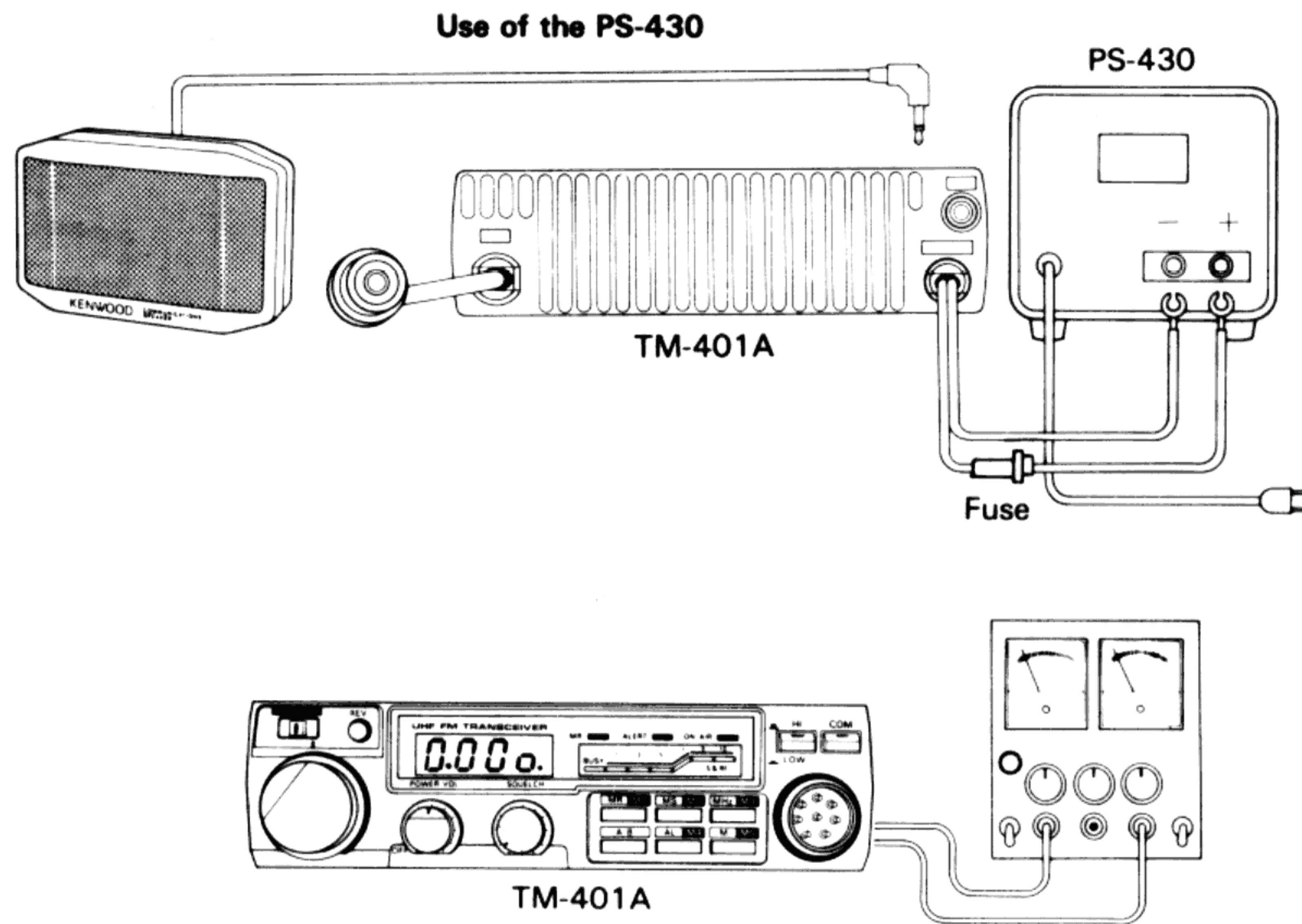
The transceiver is designed to suppress ignition noise; however, if excessive noise is present, it may be necessary to use suppressor spark plugs (with resistors).

For this purpose, the TRIO-KENWOOD PG-3A is available.

■ FIXED STATION INSTALLATION [general]

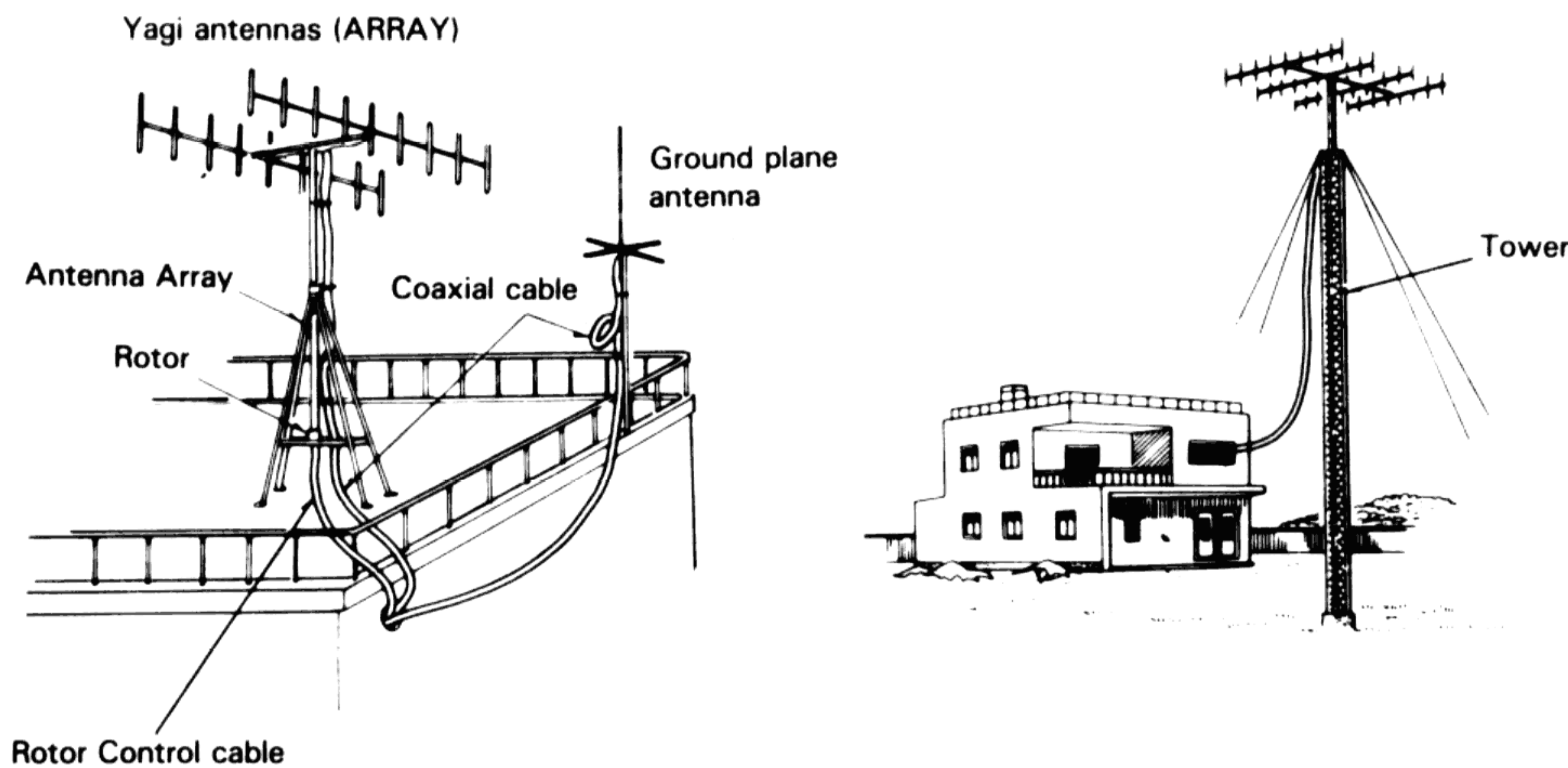
• Power supply

A regulated DC power supply (13.8 V DC, 3.8 A or more) is required. It is recommended that the TRIO-KENWOOD PS-430 be used for a power supply.



• Antenna

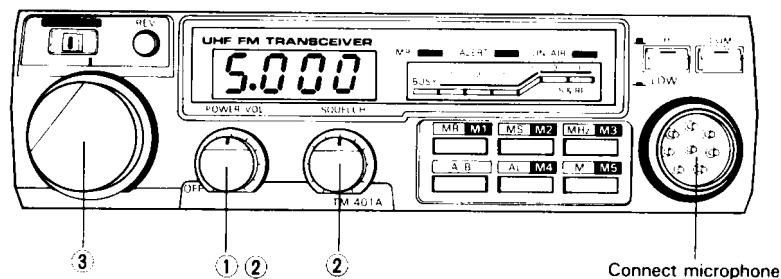
Various types of fixed station antennas are commercially available, select your desired antenna according to your installation space and application. Note that the SWR of your antenna should be less than 1.5:1. A high SWR will cause the TM-401A protective circuit to operate, reducing the transmit output power.



Transceiver performance depends largely on the type of antenna used. For fixed station operation there are ground plane antennas (omni-directional) and Yagi antennas (uni-directional). The Yagi antenna is suitable for long distance operation (DX) or communication with a specific party. (having excellent directivity and antenna is generally used for local operation.)

RECEPTION

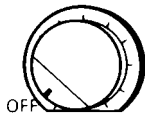
When power and antenna connections are complete, set the controls and switches as follows:



After verifying the initial setup of controls and switches, proceed as follows:

- (1) Turn the POWER/VOL control to turn on power. The indicators on the display light to show the transceiver is operating.
- (2) As the POWER/VOL control is turned clockwise, either noise or a QSO is heard.
- (3) To eliminate the no-signal noise, use the SQUELCH control. For SQUELCH control operation, refer to next explanation.
- (4) Tune to the desired frequency using MAIN DIAL.

SQUELCH control



To eliminate receiver noise at the no-signal condition, slowly adjust the squelch clockwise until the noise disappears and the BUSY indicator goes off (threshold point).

When a signal is received, the squelch will open, the BUSY indicator will light and the speaker will operate.

The SQUELCH control is also used for scan operation control. If the signal is weak or fades during mobile operation, readjust the squelch for constant reception.

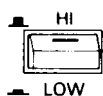
TRANSMISSION

To transmit, first select frequency to be used and see whether it is busy or not. If it is not busy, simply depress the mic PTT switch for transmission. The ON AIR indicator lights.

Transmitter precautions

- 1) The TM-401A antenna impedance is 50 ohms. Be sure to use only an antenna of 50 ohms impedance.
- 2) Check the intended transmit frequency before operating to prevent interference with other stations.
- 3) Pressing the microphone PTT switch places the transceiver in transmit mode; the ON AIR indicator will light and the LED bar meter shows transmitter power. Recommended talk distance to the microphone is approximately 5 cm.

HI/LOW power switch



QSO in locals can be enjoyed with less interference to others and with less power consumption by reducing the RF output power. This is accomplished by depressing the HI/LOW switch, which reduces power from 12 W to approx. 1 W. Power indication will drop to approximately "2 ~ 4" on the meter.

To operate, hold the mic PTT switch depressed until keys are started operating.

Note:

1. When the tone encoder is started operating, the transceiver is in transmit mode even with the PTT switch released.
2. More than about 0.8 seconds keying interval restores the transmit mode to receive mode.
3. The touch-tone encoder level can be readjusted according to your requirement.

When readjusting, set the deviation to 3 kHz by the mic built-in VR with both the 3 and 6 keys of the encoder held depressed. Next, hold both the 2 and 3 keys depressed to verify the deviation which is within 1.2 kHz \pm 0.3 kHz.

■ VERIFICATION BEEP TONE

When operating, the beep sounds to indicate operation. Beep level can be adjusted by the potentiometer inside. (page 18)

Beep	When beep will sound
Once	When key operated correctly.
Twice	When CH1 is busy during alert operation.
Three times	When ordering memory scan with all memory channels empty. When an offset frequency is out of operating frequency range.
Four times repeatedly	When transmit frequency for odd split is not stored, the beep will sound until the frequency is stored.
Five times	During REVerse operation
Eight times	When memory is ready to be stored.
Once for approx. 1.5 sec.	When memory is stored.

■ MEMORY INPUT IN (REPEATER COM CHANNEL AND*) MEMORY CHANNEL

(1) In memory channels 1 – 3 (Simplex channels)

	Procedure	Operation
1	Freq. setting	Set frequency to be stored using the tuning control or mic UP or DWN switch.
2	Memory standby	Depress the M/M4 key. The beep will sound eight times.
3	Memory input	Depress M1, M2 or M3 key while the beep is sounding. The 1.5 second beep sounds to verify the memory input.

(2) In memory channels 4, 5 and COM* (split channel)

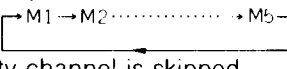
	Procedure	Operation
1	Receive freq. setting	Set receive frequency to be stored using the tuning control or mic UP or DWN switch.
2	Memory standby	Depress the M/M4 key. The beep will sound eight times.
3	Memory input	Depress M4, M5 or COM* key while the beep sound is sounding. The 1.5 second beep sounds when the memory is input. Then the beep sounds 4 times repeatedly to require a transmit frequency input.
4	Transmit freq. setting	Set transmit frequency to be stored using the tuning control, mic UP or DWN switch, or MHz key.
5	Memory input (transmit)	Depress the same key used in step 3. The 1.5 second beep sounds when the memory is input.

* European and British versions excluded.

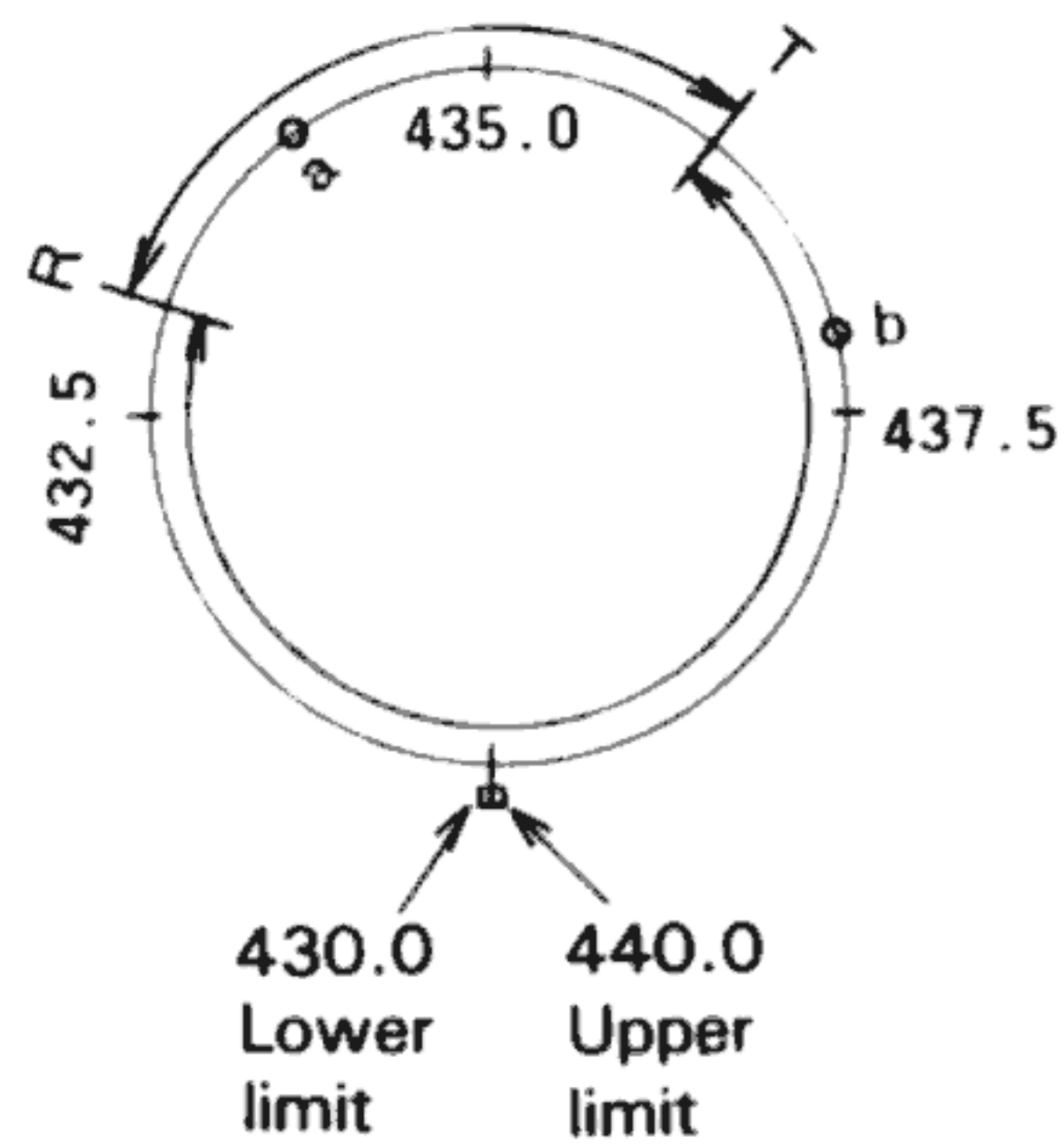
■ SCAN OPERATION

(1) Memory scan (Memory channels 1 – 5 are scanned.)

Before operating scan, adjust the SQUELCH control to eliminate the noise.

	Procedure	Operation	Indication
1	Scan start	Depressing the MS key initiates scan from memory channel 1 to 5 as shown.  Empty channel is skipped.	● Flashes
2		Scan will stop at busy station.	
3	Quick scan	Depressing the MS key recalls the next memory channel.	● Lights
4	Scan release	Depressing the A/B key or the mic PTT switch stops the scan. The displayed memory channel is restored to memory recall mode.	

To perform MS operation again, depress the A/B key to release MR operation.

(2) Programmable scan

For USA version:
 Lower limit - 440.0 MHz
 Upper limit - 450.0 MHz

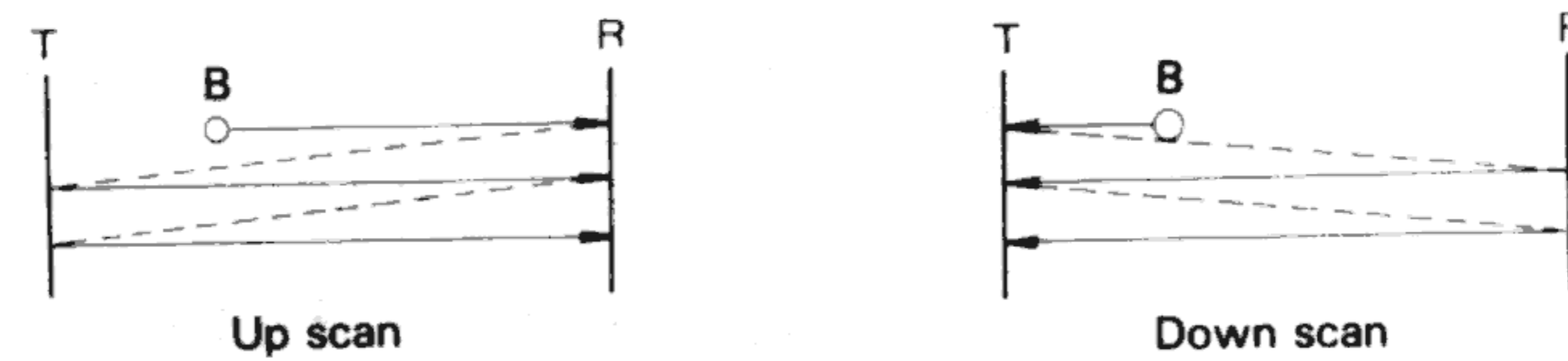
During VFO A or B operation, depressing the mic UP or DWN switch initiates scan programmed within the range set between receive and transmit frequencies designated in memory channel 5.

As shown in the figure, R denotes the receive frequency in CH 5; T denotes the transmit frequency in CH 5.

i) When VFO stays at A point, scan starts as shown.



ii) When VFO stays at B point, scan starts as shown.



iii) When R and T are equal, scan operates through the whole frequency range.

	Procedure	Operation	Indication
1	Scan range setting	Store lower and upper limit frequencies in memory channel 5 by operating the M, M5, tuning control UP, DWN or MHz switch.	
2	Scan start	Hold the mic UP or DWN switch depressed for more than one second. The scan starts. The dot starts flashing.	● Flashes
3	The scan will stop at busy station and resume in 6 seconds.		
4	Scan resume	Scan resumes regardless of signal when operating the tuning control or UP/DWN switch.	
5	Rapid scan	Holding the UP/DWN switch depressed allows rapid up or down scan. Holding the MHz key depressed allows rapid scan in 1 MHz steps.	
6	Scan direction	During up scan, depressing the DWN key or turning the tuning control one click to the left reverses the direction. During down scan, reversing the above procedure reverses the direction.	
7	Other scan range operation	Holding the UP/DWN key depressed allows the scan to go beyond the upper or lower frequency limit. Example: During up scan from R to T, hold the UP key depressed and allow the scan to go beyond T. The scan goes from T to R.	
8	Scan release	Depressing the A/B key or mic PTT switch releases the scan. The flashing dot will stop.	● Lights

(3) Releasing memory scan or programmable scan

To release scan operation, normally depress the A/B key or the mic PTT switch once. During scan, the mic PTT switch operation will release the scan but not transmit.

During scan operation, the following operations will release the scan.

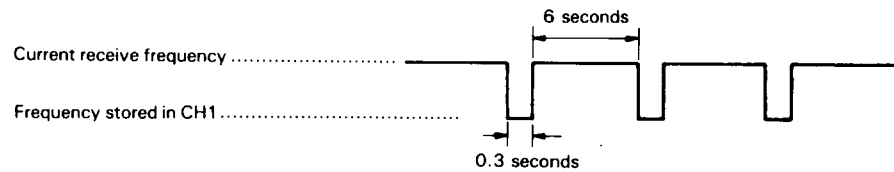
- Depressing the COM*, MR key.
- Turning off the POWER switch.
- Depressing the UP and DWN keys simultaneously during programmable scan.

* European and British versions excluded.

■ ALERT OPERATION

Used to monitor the frequency stored in memory channel 1, whether or not it is busy, during any mode operation.

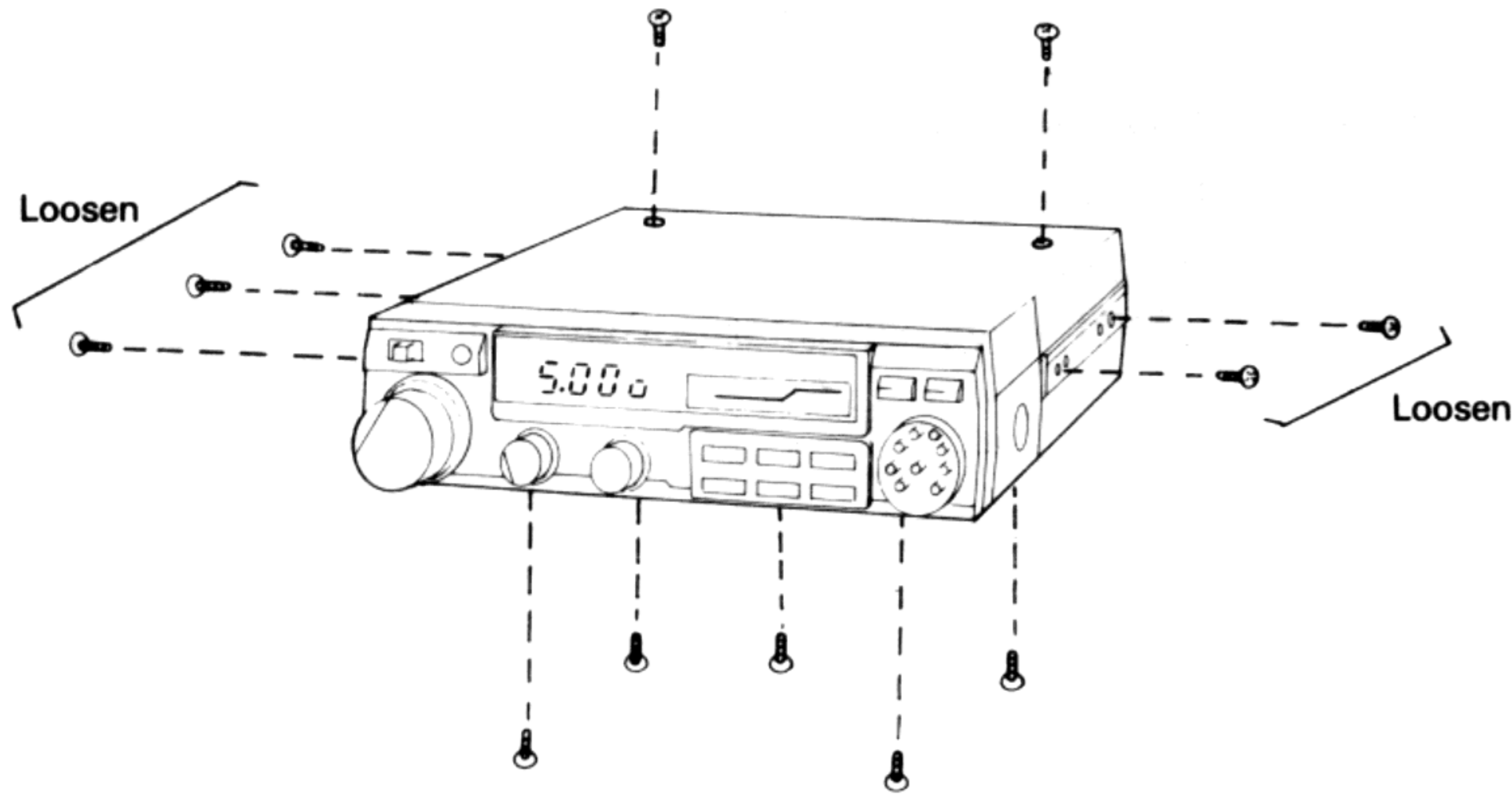
When memory channel 1 is busy, two beeps sound.



When the ALERT operation is in use, memory channel 1 is monitored once every 6 seconds. During this period, voice is silenced. **During alert operation for 0.3 seconds, note that key operation is inhibited.**

5. MAINTENANCE AND ADJUSTMENT

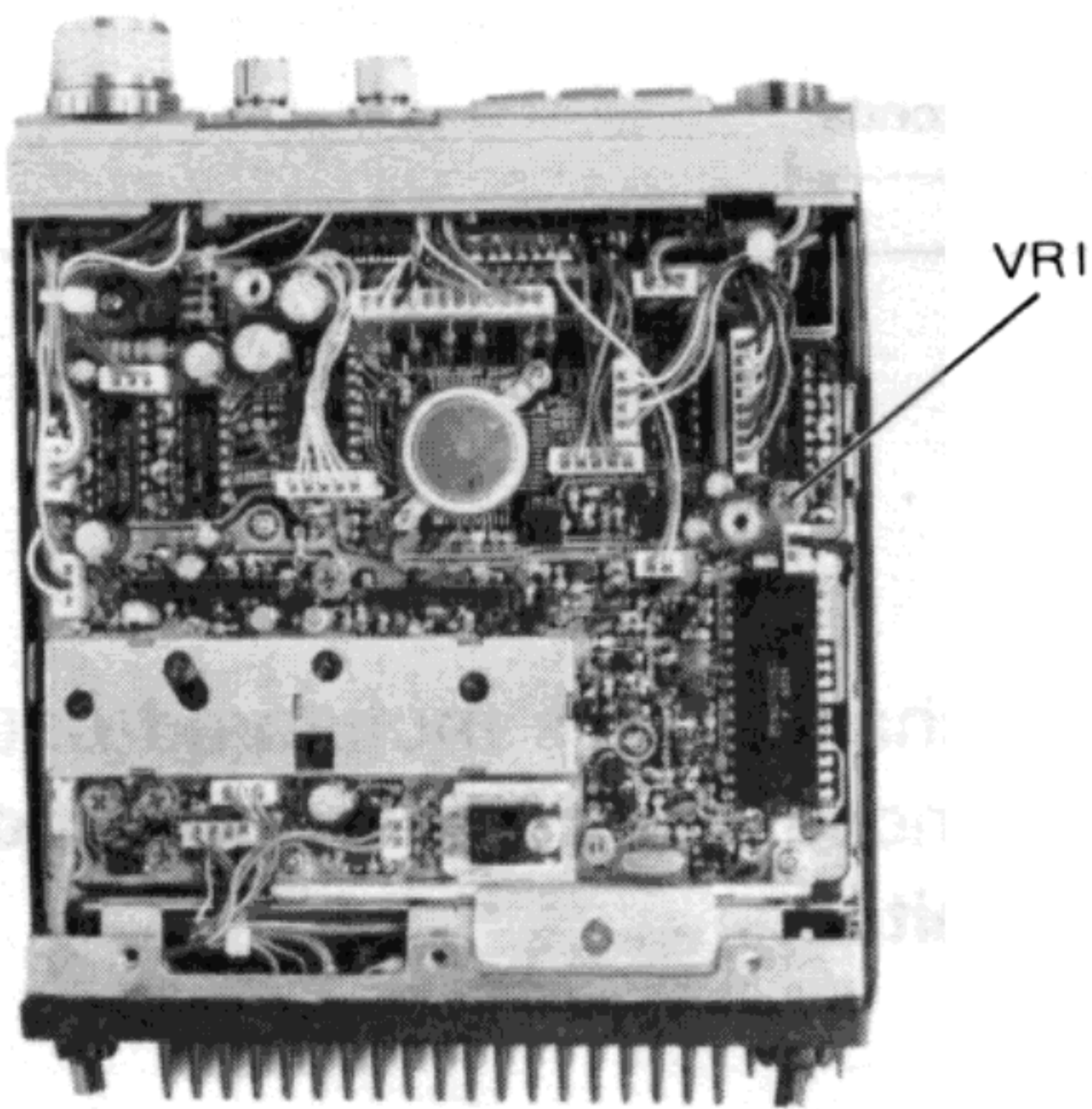
■ COVER REMOVAL



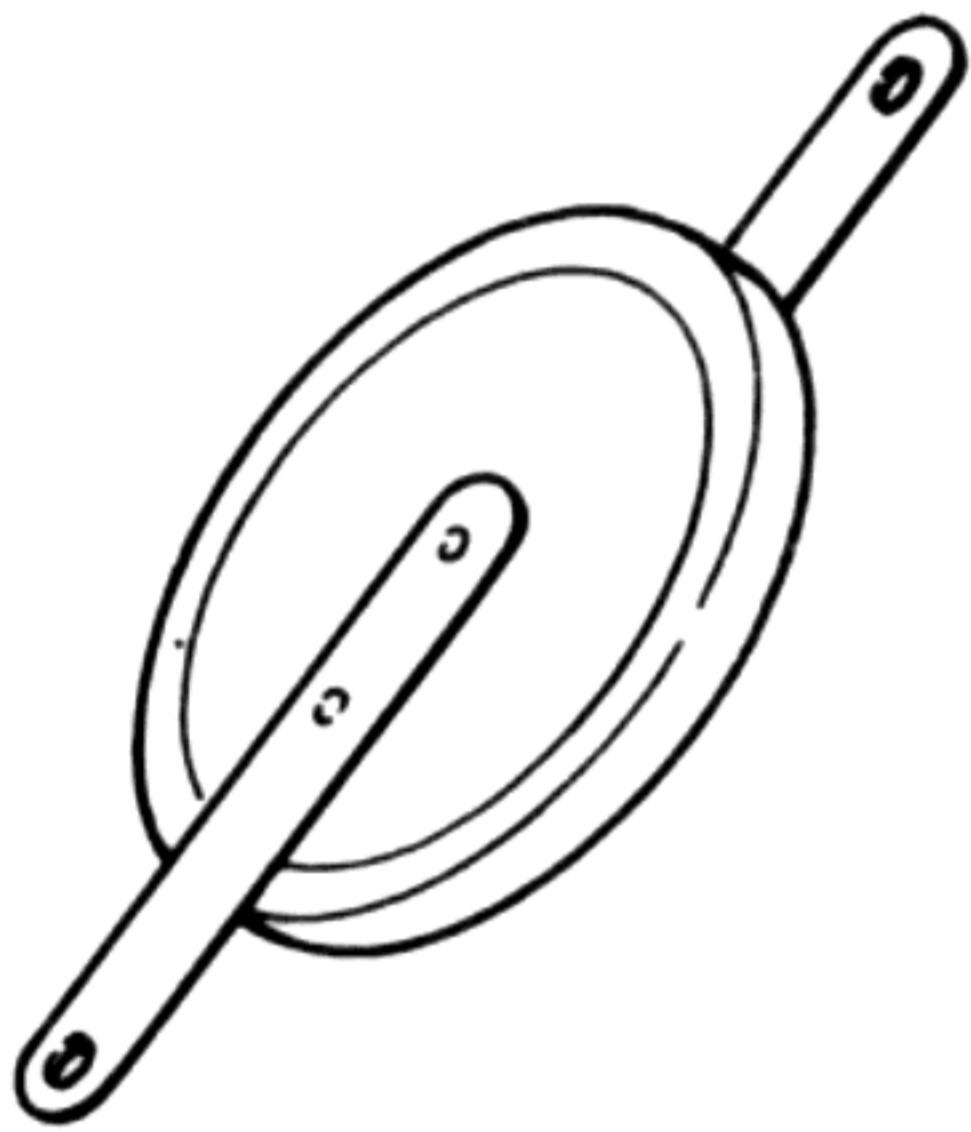
- 1 Loosen 5 screws ($\phi 2.6 \times 5$ mm) of the side panels.
- 2 To remove the top cover, remove 2 screws ($\phi 2.6 \times 5$ mm).
- 3 To remove the bottom cover, remove 5 screws ($\phi 2.6 \times 5$ mm).

■ BEEPER ADJUSTMENT

Adjust VR1 on the B unit (X53-1350-11/61) to your listening preference.



■ LITHIUM BATTERY



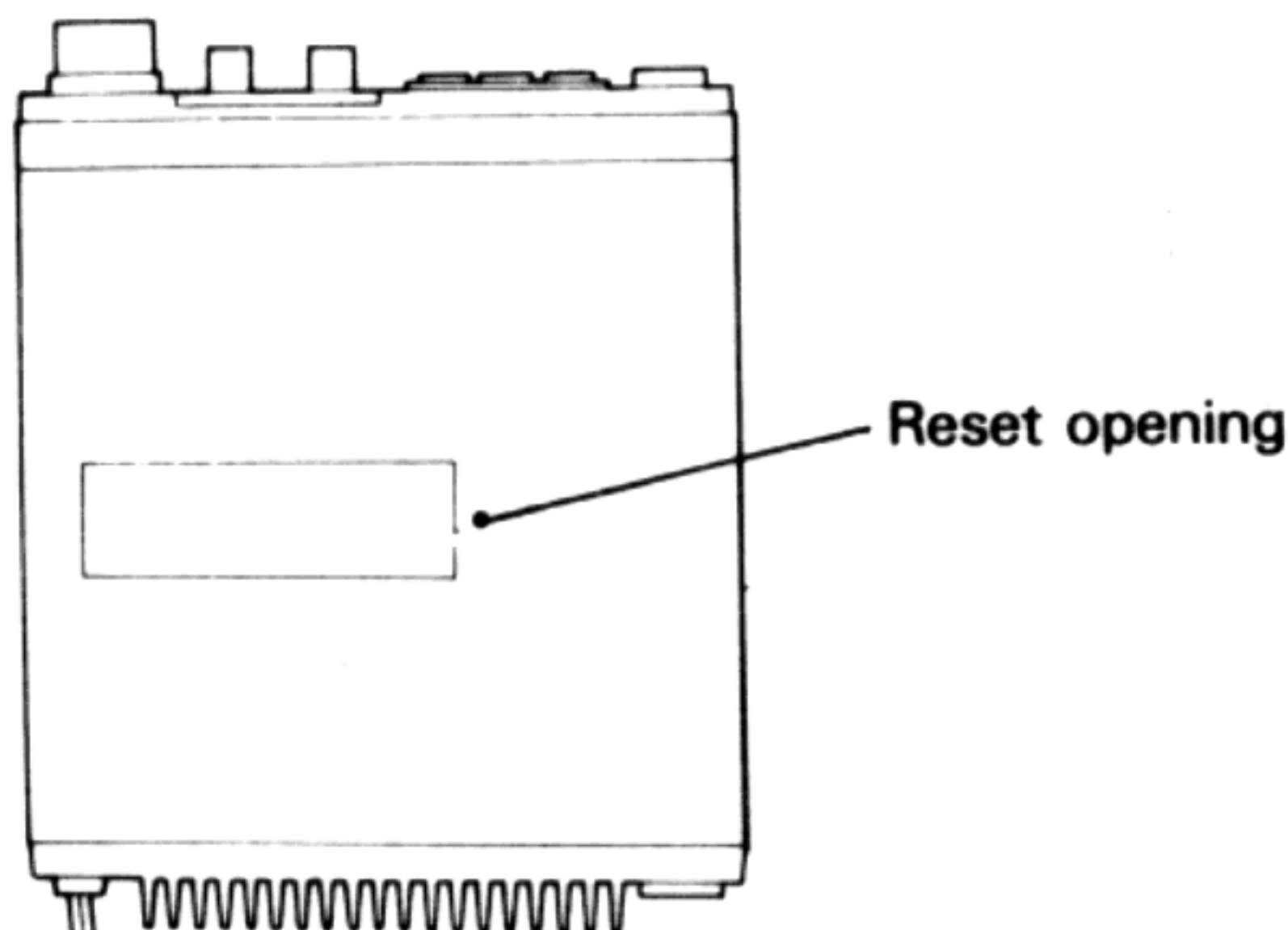
A lithium battery is contained in the transceiver to retain memory. Therefore, turning off the POWER switch, disconnecting the power cable, or a power failure will not clear the memory. The battery will last approximately five years. When the battery discharges an erroneous display may appear on the LED. Lithium battery replacement should be performed by an authorized TRIO-KENWOOD service facility either your TRIO-KENWOOD dealer, or the factory.

Note:

When the lithium battery is replaced, the microprocessor must be reset.

■ MICROCOMPUTER RESET

Depress the reset switch with a nonconductive rod through the reset opening of the bottom cover as shown.

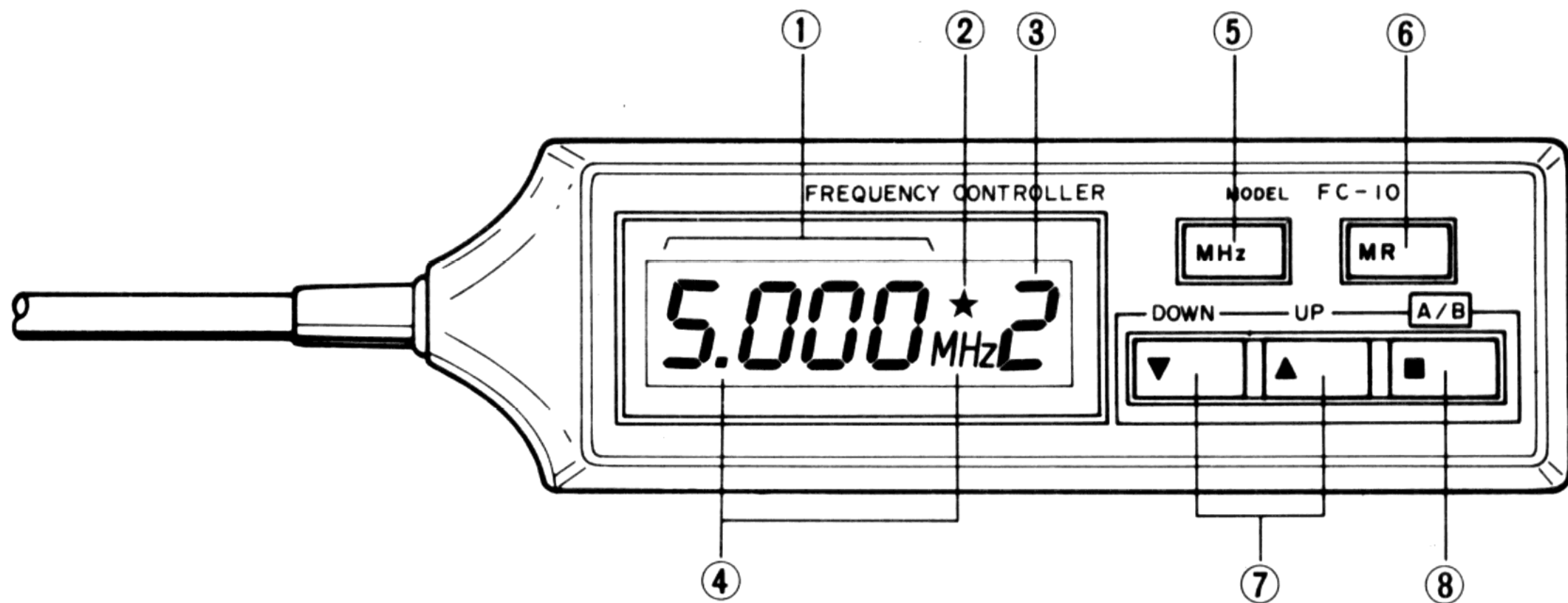


6. ACCESSORIES

■ USE OF THE REMOTE FREQUENCY CONTROL (OPTION)

Connecting the remote frequency control (FC-10) allows you to operate the transceiver more handily.

Note: When connecting or disconnecting the FC-10 from the transceiver, the **POWER** switch of the transceiver should be set to **OFF**, or the FC-10 may be damaged.

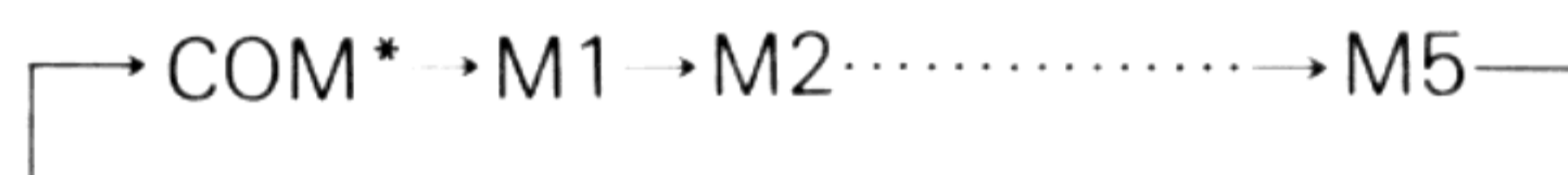


1) Display (The following numbers correspond to those in the figure above.)

- ① **Frequency display:** Indicates in four digits.
Example: Indication 5 000 MHz denotes 445.0 MHz (435.0 MHz: other than USA).
- ② **ALERT display:** During ALERT operation, the (★) lights.
- ③ **VFO A/B:** (A) denotes VFO A; (b) denotes VFO B.
(□) denotes COM* operation; (1 — 5) denotes memory channel 1 — 5.
- ④ **Scan display:** Flashes during scan operation.
In memory scan, memory address is displayed at ③.
In programmable scan, (A) or (b) is displayed at ③.

2) Keyboard

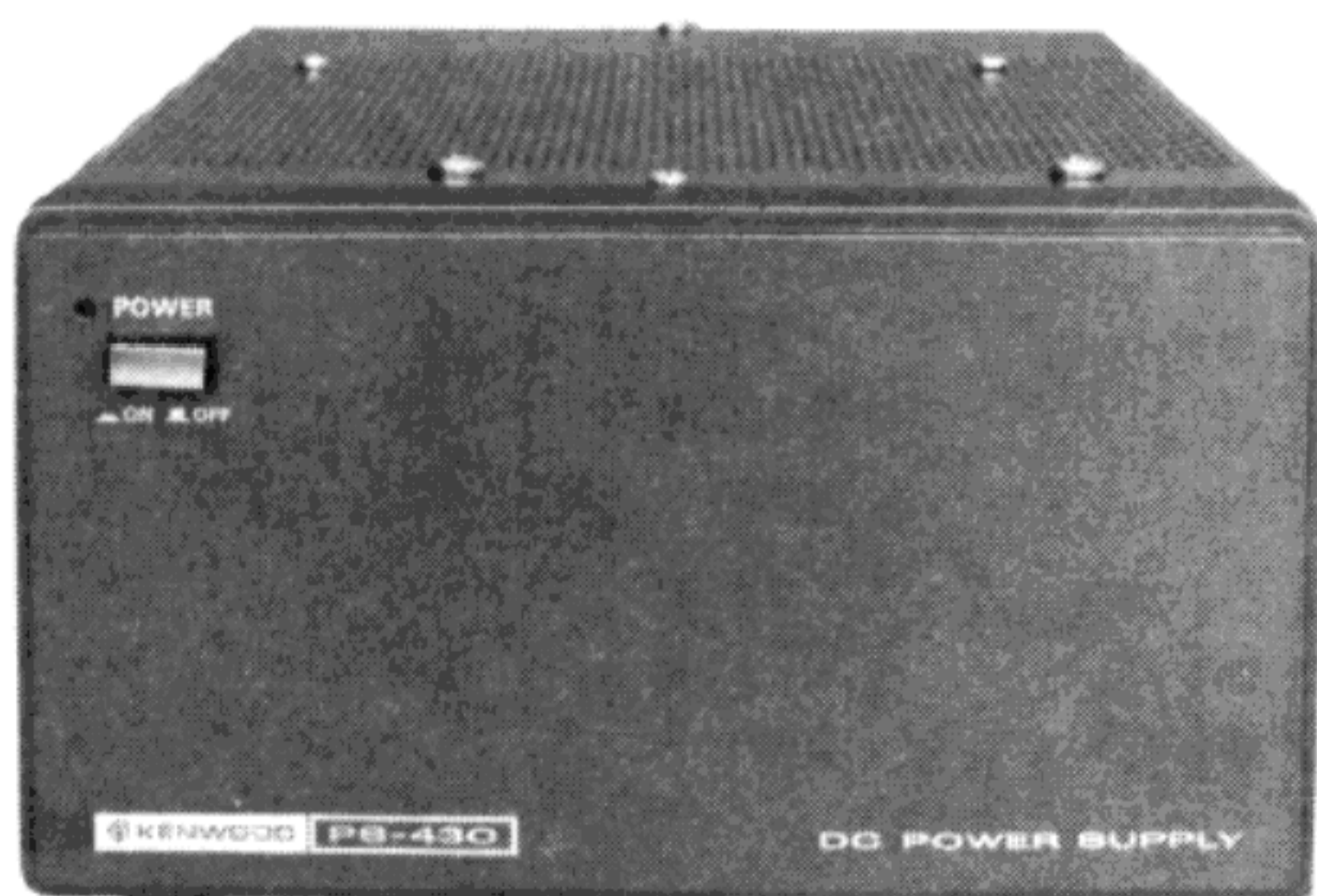
- ⑤ **MHz key:** When used, the VFO displayed frequency is shifted up in 1 MHz steps.
- ⑥ **MR key:** This key has two functions: Memory recall; and COM* recall.



- ⑦ **UP/DWN key:** These keys function the same as those of the microphone.
- ⑧ **A/B key:** This switch functions the same as that of the transceiver. With this switch, COM* operation can be released.

* European and British versions excluded.

■ PS-430 POWER SUPPLY



■ KPS-7 POWER SUPPLY (in USA only)

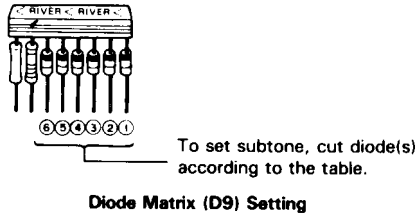
TU-3 (TWO-TONE UNIT: OPTION)

For users in Europe and England, disregard the following TU-3 instructions.

• Accessories

- 1. Diode Matrix (D9) 1
- 2. Adhesive Cushion 1
- 3. Tone Frequency Name Plate 1
- 4. Instruction Manual 1

• Tone Frequency Setting



1. Select the desired first tone frequency by cutting selected diodes from diode array D9, referring to the table.

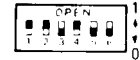
Example: To set to 94.8 Hz, cut D9 diodes as shown.

To mount the D9, use a 45-W (or less) soldering pencil and solder sparingly, heating the connections only long enough to insure a good solder joint. Do not over heat.



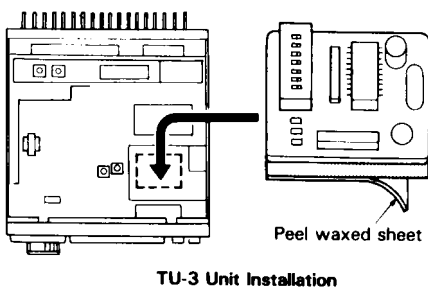
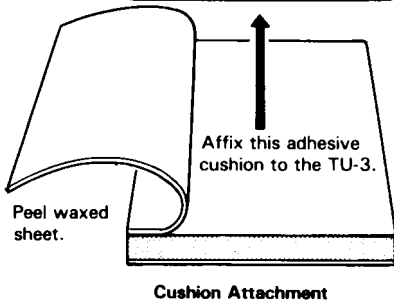
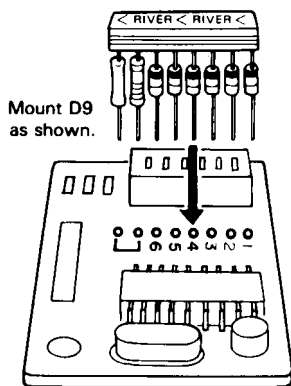
2. Select the desired second tone frequency by setting the 6-bit dip switch, referring to the table.

Example: To set to 100.0 Hz, set the dip switch as shown.



• Tone unit Installation

1. Mount the supplied diode array D9 (frequency preset) in the TU-3 unit as shown.
2. Loosen five screws on both side of the transceiver.
3. Remove two screws from the top cover. Lift the rear part of the cover and remove it.
4. Peel the waxed sheet off the cushion and affix the cushion to the TU-3 PC board.
5. Peel the waxed sheet off the cushion affixed to the TU-3 unit. Affix the TU-3 unit to the mounting space of the transceiver.
6. Plug the 5-pin connector into its mating jack on the TU-3 unit.
7. Replace the transceiver top cover and secure with two screws.
8. Tighten five screws on both side of the transceiver.
9. Affix the supplied tone frequency name plate on the transceiver bottom cover.



EIA Specification Group ("1" denotes that the diode is opened.)

#	EIA Specification Group	Hz	Program Lines (ON...1, OFF...0)						#	EIA Specification Group	Hz	Program Lines (ON...1, OFF...0)					
			1	2	3	4	5	6				1	2	3	4	5	6
1	A	67.0	1	1	1	1	1	1	21	A	141.3	1	0	0	0	0	0
2	B	71.9	1	1	1	1	0	1	22	B	146.2	0	1	1	1	0	1
3	C	74.4	1	1	1	0	1	1	23	A	151.4	0	1	1	1	0	0
4	A	77.0	1	1	1	1	0	0	24	B	156.7	0	1	1	0	0	1
5	C	79.7	1	1	0	1	1	1	25	A	162.2	0	1	1	0	0	0
6	B	82.5	1	1	1	0	0	1	26	B	167.9	0	1	0	1	0	1
7	C	85.4	1	1	0	0	1	1	27	A	173.8	0	1	0	1	0	0
8	A	88.5	1	1	1	0	0	0	28	B	179.9	0	1	0	0	0	1
9	C	91.5	1	0	1	1	1	1	29	A	186.2	0	1	0	0	0	0
10	B	94.8	1	1	0	1	0	1	30	B	192.8	0	0	1	1	0	1
11	A	100.0	1	1	0	1	0	0	31	A	203.5	0	0	1	1	0	0
12	B	103.5	1	1	0	0	0	1	32	B	210.7	0	0	1	0	0	1
13	A	107.2	1	1	0	0	0	0	33	A	218.1	0	0	1	0	0	0
14	B	110.9	1	0	1	1	0	1	34	B	225.7	0	0	0	1	0	1
15	A	114.8	1	0	1	1	0	0	35	A	233.6	0	0	0	1	0	0
16	B	118.8	1	0	1	0	0	1	36	B	241.8	0	0	0	0	0	1
17	A	123.0	1	0	1	0	0	0	37	A	250.3	0	0	0	0	0	0
18	B	127.3	1	0	0	1	0	1									
19	A	131.8	1	0	0	1	0	0									
20	B	136.5	1	0	0	0	0	1									

Your TM-401A has been factory aligned and tested to specification before shipment. Under normal circumstances, the transceiver will operate in accordance with these operating instructions.

If your transceiver fails to work, contact the authorized dealer from which you purchased it for quick, reliable repair. All adjustable trimmers and coils in your transceiver were preset at the factory and should only be readjusted by a qualified technician with proper test equipment.

Attempting service or alignment without factory authorization.

■ HOW THE TX FINAL MODULE IS PROTECTED

Final module protection is provided by sampling the reflected power. As the reflected power is increased (higher SWR) transmitter drive is reduced, thus decreasing input to the final module. This in turn reduces collector loss, protecting the final transistor.

■ BATTERY PRECAUTION

When charging your vehicle battery, or when jumpstarting a dead battery, ALWAYS disconnect the power cable from the back of the transceiver.

■ ORDERING SPARE PARTS

When ordering replacement or spare parts for your equipment, be sure to specify the following:

- Model and serial number of your transceiver. Schematic number of the part. Printed circuit board number on which the part is located. Part number and name, if known, and quantity desired.

■ SERVICE

Should it ever become necessary to return the equipment for repair, pack in its original box and packing, and include a full description of the problems involved. Also include your telephone number. You need not return accessory items unless directly related to the service problem. Tag all returned items with your call for identification.

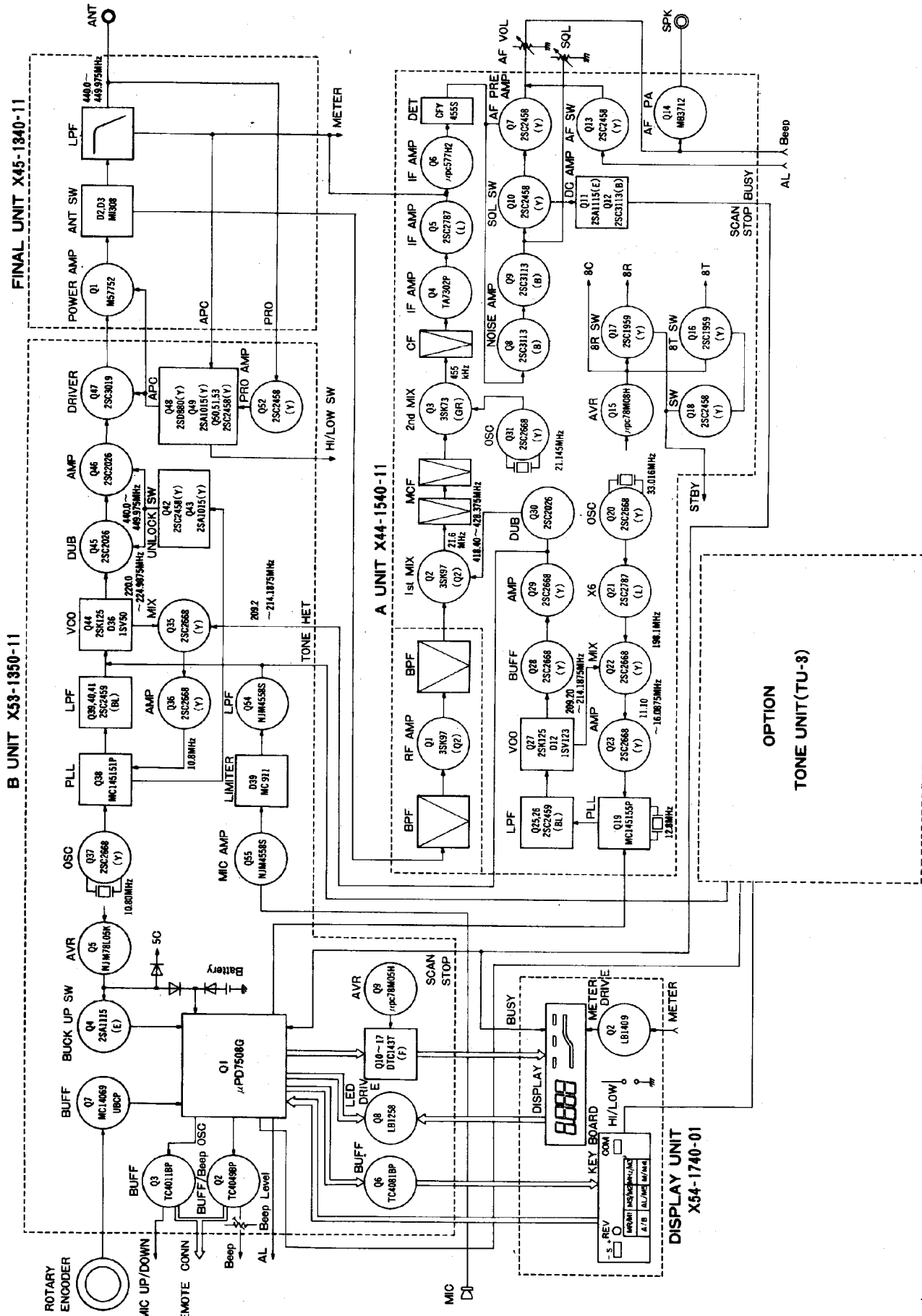
Please mention the model and serial number of your radio in any correspondence, whether phone or written. For future reference, record this information in the space provided on the back cover of this manual.

Note:

When claiming warranty service, please include a photocopy of the bill of sale, or other proof of purchase showing the date of sale.

7. BLOCK DIAGRAM

For users other than Europe and England, refer to this diagram.

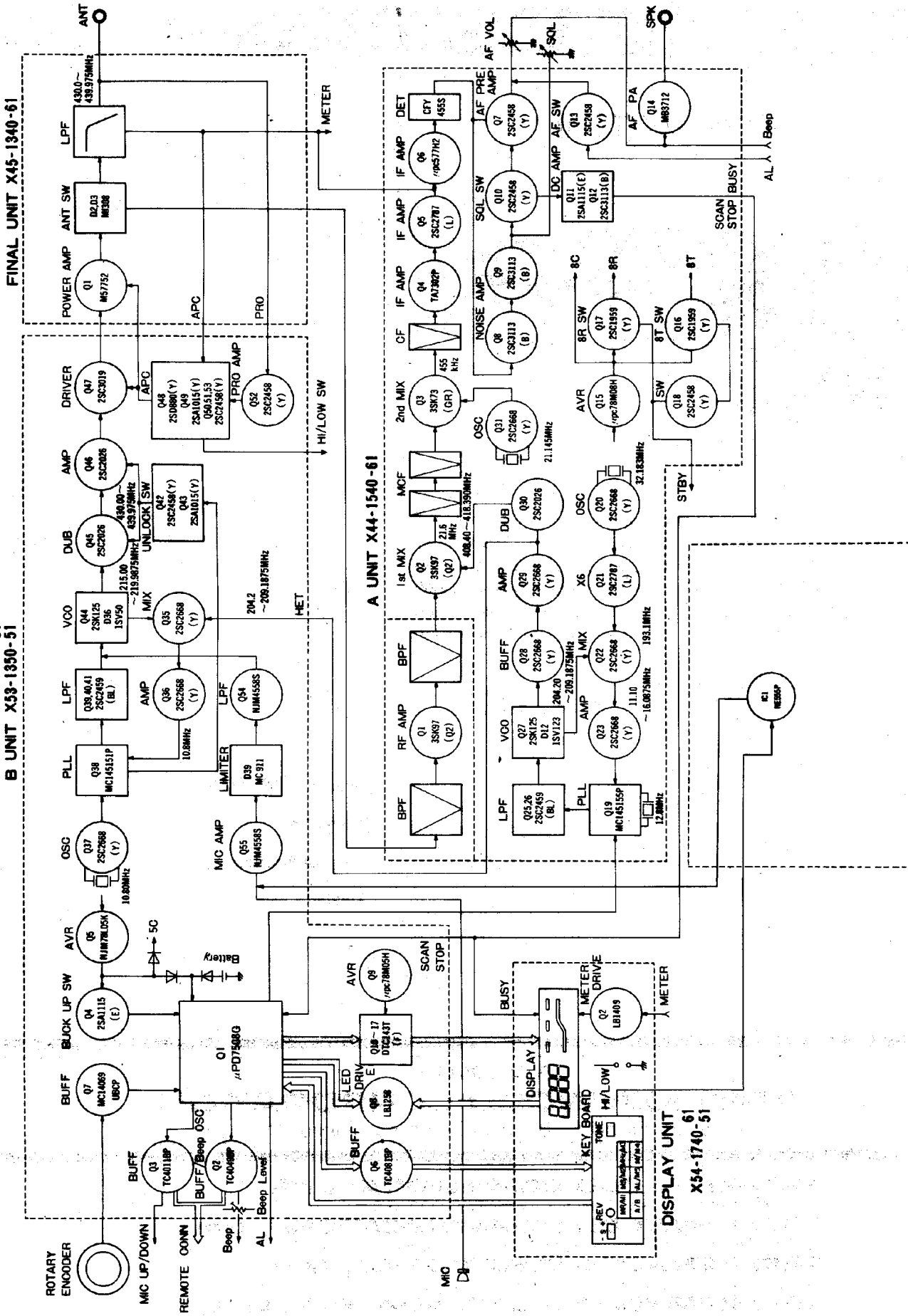


61
B UNIT X53-1350-51

FINAL UNIT X45-1340-61

A UNIT X44-1540-61

TONE UNIT X52-1250-61



8. SPECIFICATIONS

For users other than Europe and England, refer to this specifications.

[General]

Semiconductors	MPU	1
	ICs	18
	Transistors	48
	FETs	5
	Diodes	43
Frequency range	430.0 to 440.0 MHz (440.0 to 450.0 MHz for USA)	
Mode	FM (F3)	
Antenna impedance	50 ohms	
Power requirement	13.8V DC \pm 15%	
Grounding	Negative	
Operating temperature	- 20°C to + 50°C	
External speaker impedance.....	8 ohms	
Current drain	Less than 0.5 A in receive mode with no input signal Max. 3.8 A in HI transmit mode 1.6 A in LOW transmit mode (Approx.)	
Dimensions	141 mm wide (5-17/32") 39.5 mm high (1-17/32") 183 mm deep (7-3/16") projections not included	
Weight	1.25 kg (2.75 lbs)	

[Transmitter]

RF output power (at 13.8V DC, 50 Ω load)	HI 12 Watts min. Low 1 Watt approx.
Modulation.....	Reactance
Frequency tolerance (- 20°C ~ + 60°C)	Less than $\pm 15 \times 10^{-6}$
Spurious radiation.....	HI Less than - 60 dB LOW Less than - 60 dB
Maximum frequency deviation (FM)	± 5 kHz
Audio distortion (at 60% modulation)	Less than 3% (300 Hz ~ 3000 Hz)

[Receiver]

Circuitry	Double superheterodyne
Intermediate frequency.....	1st 21.60 MHz 2nd 455 kHz
Receiver sensitivity	SINAD 12 dB less than 0.2 μ V S + N/N more than 50 dB at 1.0 mV input
Receiver selectivity	More than 12 kHz (- 6 dB) Less than 24 kHz (- 60 dB)
Spurious response	Better than 65 dB (except f_s -IF/2)
Squelch sensitivity.....	Less than 0.16 μ V (threshold)
Auto scan stop level.....	Less than 0.2 μ V (threshold)
Audio output	More than 2.0 watts across 8 ohms load (5% dist.)

[Auto patch microphone (MC-48) supplied] — For U.S.A. version only

Semiconductors	IC	1
	Transistors	3
	Diodes	3
Impedance	500 ohms	

Note: Circuit and ratings are subject to change without notice due to developments in technology.

[General]

Semiconductors	MPU	1
	ICs	19
	Transistors	48
	FETs	5
	Diodes	45
Frequency range	430.0 to 440.0 MHz	
Mode	FM (F3) (F3E: in Germany)	
Antenna impedance	50 ohms	
Power requirement	13.8V DC \pm 15%	
Grounding	Negative	
Operating temperature	- 20°C to + 50°C	
External speaker impedance	8 ohms	
Current drain	Less than 0.5 A in receive mode with no input signal	
	Max. 3.8 A in HI transmit mode	
	1.6 A in LOW transmit mode (Approx.)	
Dimensions	141 mm wide	
	39.5 mm high	
	183 mm deep	
	(projections excluded)	
Weight	1.25 kg	

[Transmitter]

RF output power (at 13.8V DC, 50Ω load)	HI 12 Watts min.
	LOW 1 Watt approx.
Modulation	Reactance
Frequency tolerance (- 20°C ~ + 60°C)	Less than $\pm 15 \times 10^{-6}$
Spurious radiation	HI Less than - 60 dB
	LOW Less than - 60 dB
Maximum frequency deviation (FM)	± 5 kHz
Audio distortion (at 60% modulation)	Less than 3% (300 Hz ~ 3000 Hz)

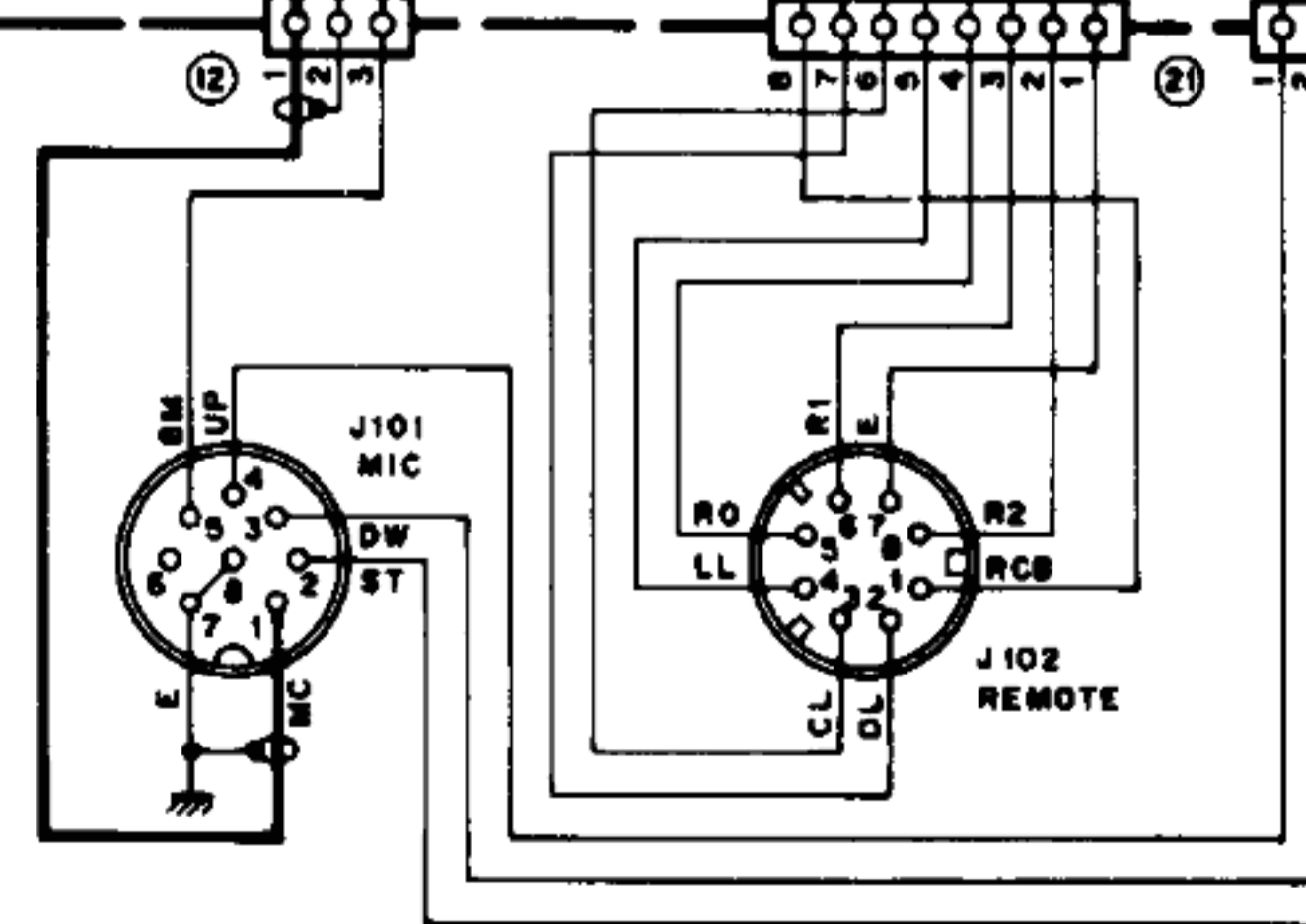
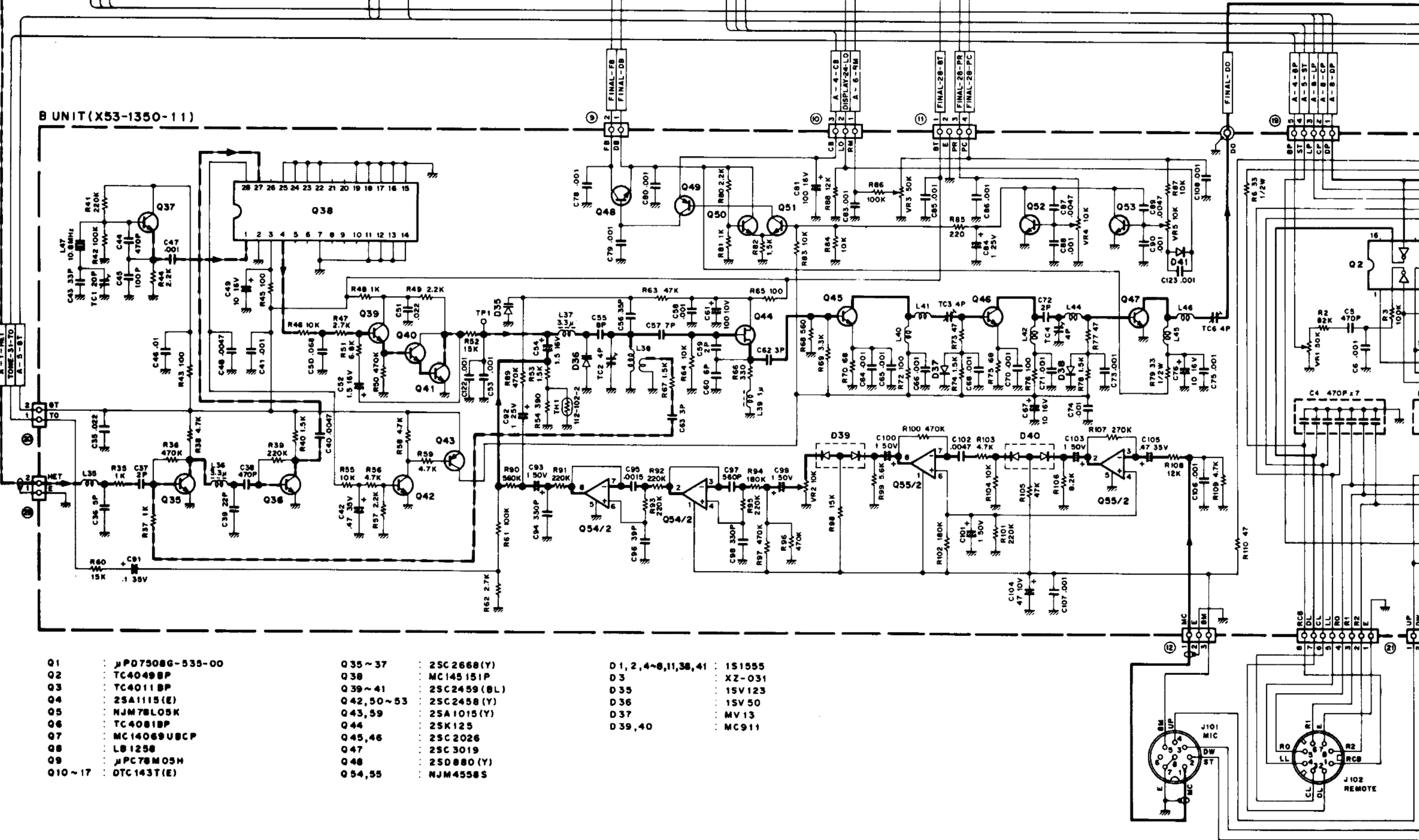
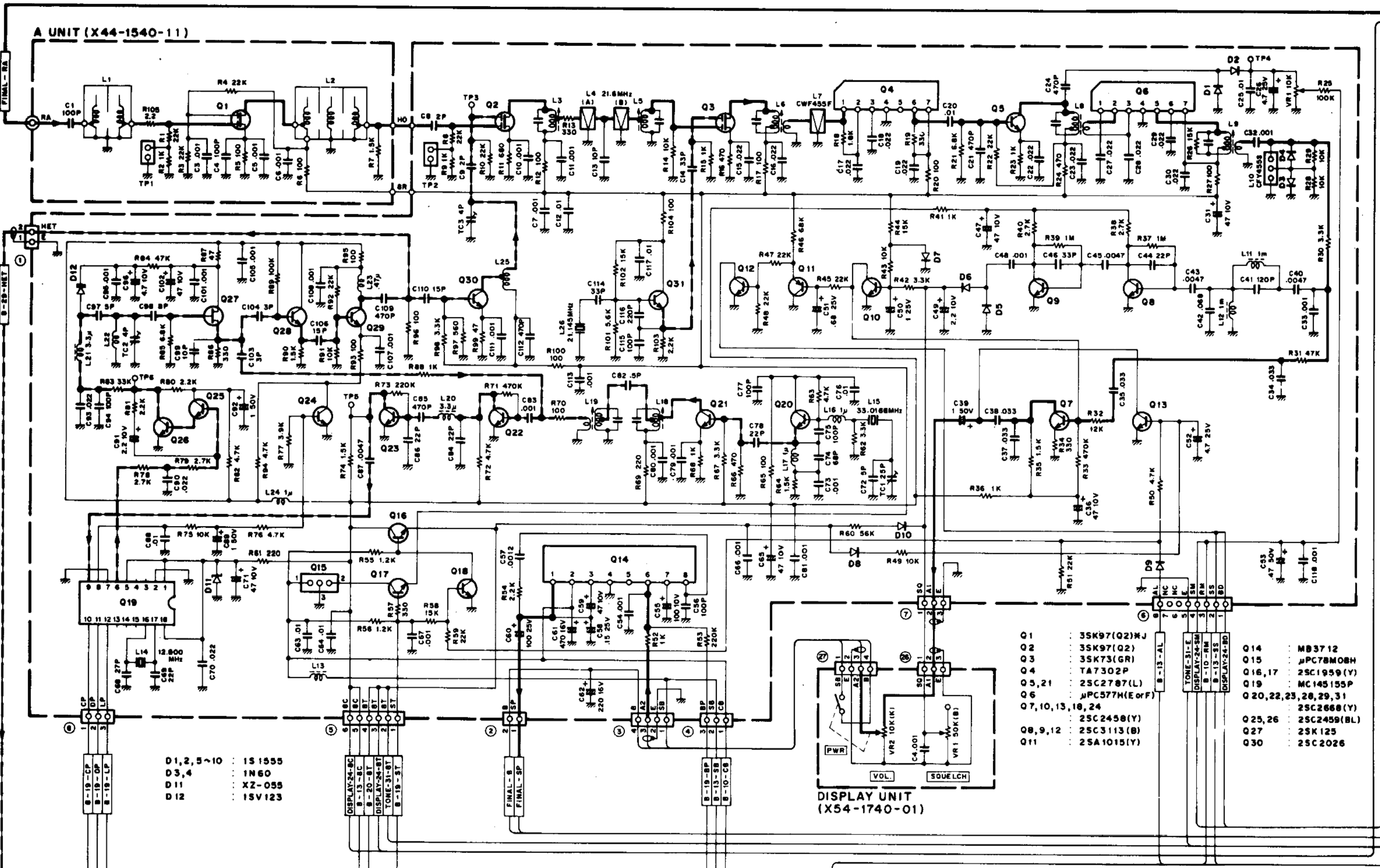
[Receiver]

Circuitry	Double superheterodyne
Intermediate frequency	1st 21.60 MHz
	2nd 455 kHz
Receiver sensitivity	SINAD 12 dB less than 0.2 μ V
	S + N/N more than 50 dB at 1.0 mV input
Receiver selectivity	More than 12 kHz (- 6 dB)
	Less than 24 kHz (- 60 dB)
Spurious response	Better than 65dB (except fd-IF/2)
Squelch sensitivity	Less than 0.16 μ V (threshold)
Auto scan stop level	Less than 0.2 μ V (threshold)
Audio output	More than 2.0 watts across 8 ohms load (5% dist.)

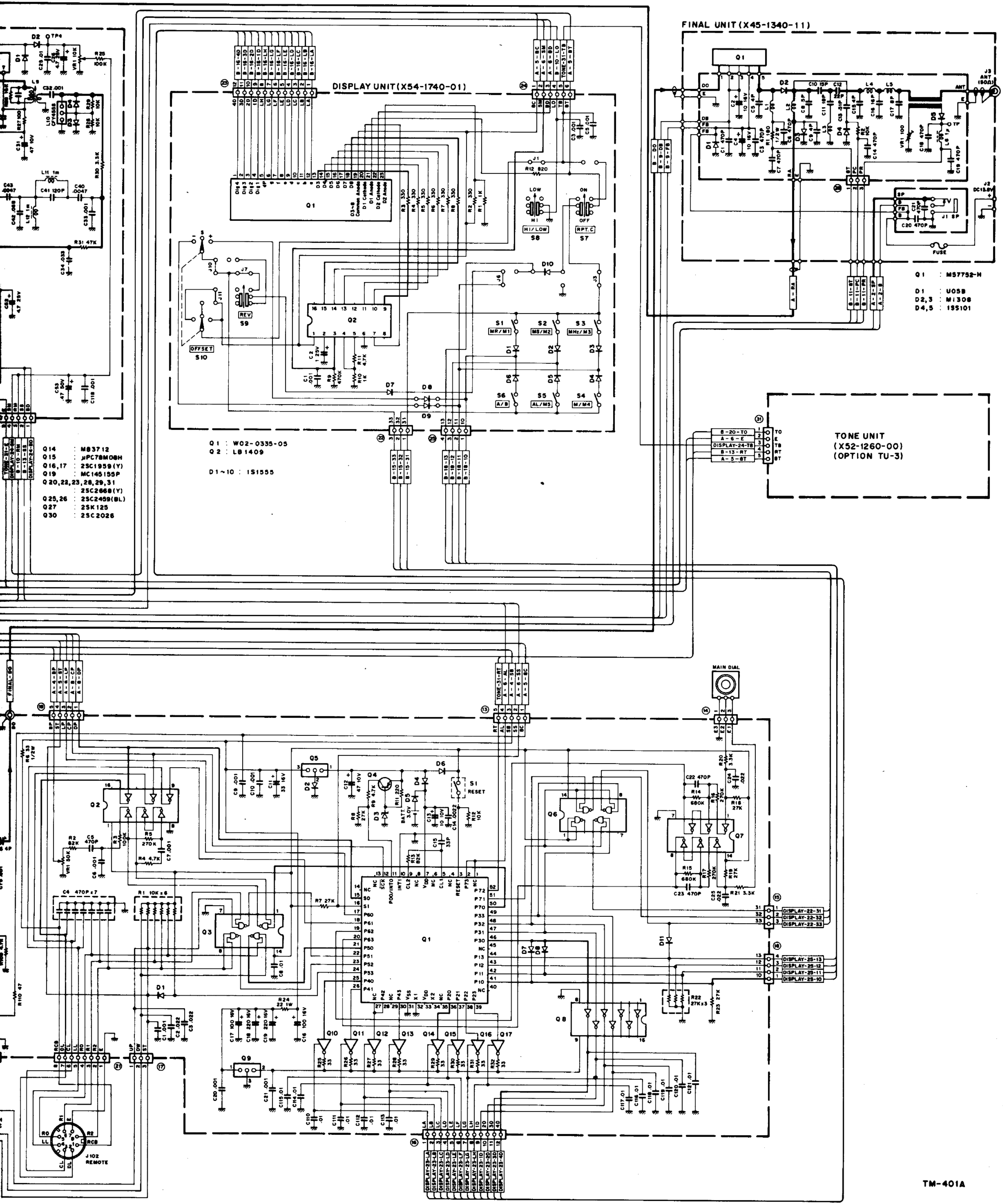
Note: Circuit and ratings are subject to change without notice due to developments in technology.

SCHEMATIC DIAGRAM

For users in U.S.A., refer to this schematic diagram



schematic diagram.



Model **TM-401A**

Serial No.

Date of Purchase

Dealer

A product of

TRIO-KENWOOD CORPORATION

17-5, 2-chome, shibuya, shibuya-ku Tokyo 150, Japan

TRIO-KENWOOD COMMUNICATIONS

1111 West Walnut Street, Compton California 90220, U.S.A.

TRIO-KENWOOD COMMUNICATIONS, GmbH

D-6374 Steinbach TS, Industriestrasse 8A, West Germany

TRIO-KENWOOD ELECTRONICS, N.V.

Leuvensesteenweg 504, B-1930 Zaventem, Belgium

TRIO-KENWOOD (AUSTRALIA) PTY. LTD.

4E Woodcock Place, Lane Cove N.S.W. 2066, Australia