



## OPERATOR'S MANUAL



# MODEL **SSR-1**

## COMMUNICATIONS RECEIVER

R. L. DRAKE COMPANY    Miamisburg, Ohio    U. S. A.



## LIMITED WARRANTY STANDARD WARRANTY

*R. L. DRAKE COMPANY warrants each new product manufactured by it to be free from defective material and workmanship and agrees to remedy any such defect or to furnish a new part in exchange for any part of any unit of its manufacture which under normal installation, use, and service discloses such defect, provided the unit is delivered by the owner to us or to our authorized dealer or wholesaler from whom purchased, intact, for our examination, with all transportation charges prepaid to our factory, within ninety days from the date of sale to original purchaser and provided that such examination discloses in our judgment that it is thus defective. Should a malfunction be suspected, write in detail to our Service Department for suggestions concerning the operation, repair or return of your unit if it should prove necessary.*

*This warranty does not extend to any of our products which have been subjected to misuse, neglect, accident, incorrect wiring not our own, improper installation, or to use in violation of instructions furnished by us, nor extend to units which have been repaired or altered outside our factory, nor in cases where the serial number thereof has been removed, defaced or changed, nor to units used with accessories not manufactured or recommended by us.*

*Any part of a unit approved for remedy or exchange hereunder will be remedied or exchanged by the authorized dealer or wholesaler without charge to the owner.*

*This warranty is in lieu of all other warranties expressed or implied and no representative or person is authorized to assume for us any other liability in connection with the sale of our products.*

*The R. L. DRAKE COMPANY reserves the right to make any improvements to its products which it may deem desirable without obligating itself to install such improvement in its previously manufactured products.*





## INTRODUCTION

The SSR-1 Receiver provides precision tuning over the short wave spectrum of 0.5 to 30 MHz with capability of reception of AM (amplitude modulated), CW (continuous wave) and SSB (upper and lower single side band) signals.

A synthesized/drift cancelling 1st mixer injection system giving 30 tunable ranges from 0.5 to 30 MHz is derived from a single 10 MHz crystal oscillator providing frequency stability necessary for SSB operation.

A stable low frequency VFO tunes each of the 30 - one MHz ranges with a dial accuracy of better than 5 kHz which is sufficient to locate and identify a station whose frequency is known.

Separate detectors (product and diode) are used to provide for best performance whether listening to SSB or AM signals. Narrow band selectivity for SSB and wide band selectivity for AM reception is provided.

The SSR-1 has a built in telescopic antenna or may be connected to an external antenna for better results. The sensitivity of the receiver is such that it operates near the thermal limit and when using the telescopic antenna the performance reaches external noise limits.

A manual tuned preselector provides for maximum sensitivity and maximum interference rejection.

Solid state circuitry is utilized throughout the receiver design allowing efficient operation from the built in battery supply or from an external DC or AC power source.

The SSR-1 will bring you many hours of enjoyment when you discover the quality, ease of operation and usage possible with your receiver. The more serious or international radio listener will obtain maximum enjoyment from the SSR-1 with help from more detailed manuals such as the "World Radio TV Handbook" and "Short Wave Listener's Handbook".

### AVAILABLE ACCESSORIES

1. Headphones
2. DC Power Cord
3. World Radio-TV Handbook
4. Short Wave Listener's Handbook

The above accessories are available from the  
R.L. DRAKE COMPANY  
540 RICHARD STREET  
MIAMISBURG, OHIO 45320

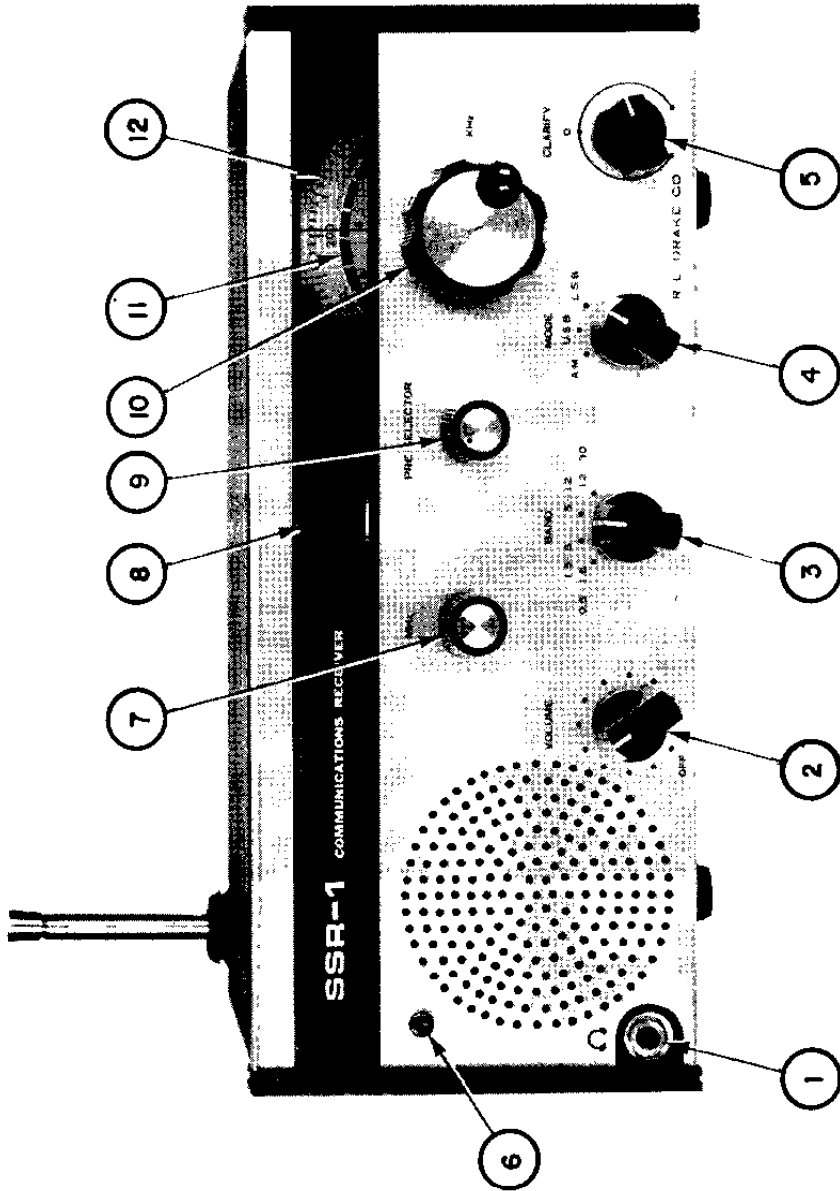
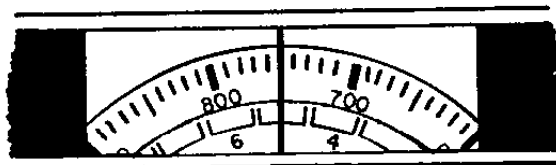


FIG. 1



### FRONT PANEL CONTROLS & INDICATORS

1. **PHONE JACK.** For ear phone reception or external speaker (8 ohms). Insertion of phones or speaker jack disconnects internal speaker.
2. **OFF - VOLUME.** Turns radio on and off and adjust audio output level.
3. **BAND.** Selects the proper range of received frequency.
4. **MODE.** Selects mode of reception. AM (amplitude modulation), USB (upper single side band) and LSB (lower single side band). CW (continuous wave) may be received on either USB or LSB position. The mode selector selects the proper detector (product detector for SSB and diode detector for AM) and IF selectivity filter.
5. **CLARIFY.** Provides ultra fine frequency adjustment (approximately  $\pm 3$  kHz range). This control is used primarily on SSB and CW signals for setting the pitch or sound accurately after the station has been roughly tuned in. It should be in the center position before any tuning is commenced.
6. **PILOT LAMP SWITCH.** On AC operation the pilot lamps are always lighted. The pilot lamps are normally extinguished on battery operation to conserve battery life. Pushing this momentary action switch turns on the pilot lamps.
7. **MHz.** Tunes the MHz range of the received frequency. This control tunes the smaller inner dial (11) and is adjusted for the center of the desired MHz range.
8. **SIGNAL METER.** Indicates relative RF input signal level.
9. **PRE-SELECTOR.** Adjusts receiver RF tuned circuits for proper reception of signal. This control is tuned for maximum signal or noise at the selected frequency.
10. **kHz.** Tunes the kHz range of the receiver. This control turns the large outer dial (12) and is adjusted for the proper frequency as displayed on the graduations. This dial has a graduated scale from 000 to 1000 and is read as 0 to 1000 kHz or .000 to 1.000 MHz.
11. & 12. **FREQUENCY DISPLAY.** Indicates tuned frequency as explained in paragraph 7 and 10. The inner dial indicates MHz range and the outer dial indicates kHz reading. As an example: 5.750 MHz.



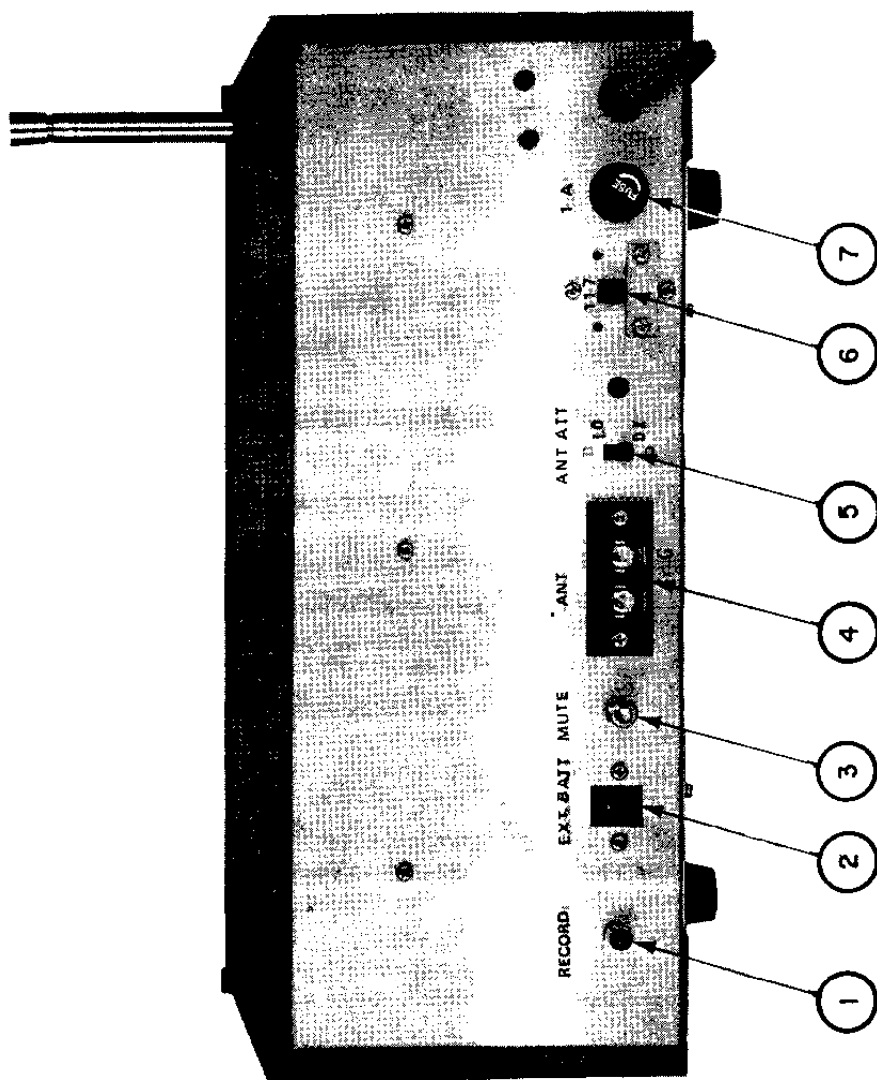


FIG. 2



## REAR PANEL CONNECTIONS

1. RECORD. Audio output is provided at this jack for tape recorder or other usage. The output is approximately 60 mv RMS at 5000 ohms.
2. EXTERNAL BATTERY. Has jack input for operating the SSR-1 from an external 12 volt DC source. Insertion of plug automatically disconnects the internal battery supply. When the AC line cord is plugged in the external battery supply is automatically disconnected. Contact your dealer for proper plug for connecting external battery supply.
3. MUTE JACK. A shorted phono connector is normally installed in the MUTE jack. When the shorted connector is removed, the SSR-1 will be muted. This function is used when operating the receiver with a communications type transmitter, (Amateur, CB, etc.)
4. ANTENNA TERMINAL STRIP. Has external antenna connection, 75 ohm unbalanced input. See antenna information.
5. ANTENNA ATTENUATOR. Local - DX switch provides 20 dB attenuation to received signal when in local position. In most instances the switch should be in the DX position. Switch to LO position when a strong received signal causes interference with other stations. This switch functions only on the external antenna.
6. POWER SELECT. Selects proper line voltage operation 117 V AC or 240 V AC.

CAUTION

Switch must be in position that agrees with line voltage. Removal of two (2) screws and locking bar allows selection of proper voltage. Locking bar should always be in place to prevent accidental switch movement.

7. FUSE. 1 Ampere.



## OPERATING PROCEDURE

The SSR-1 will operate from its internal battery supply, external 12 V DC supply or from a 117 volt or 240 volt AC line. The receivers are wired at the factory for 117 volt and 240 volt operation. Proper voltage is obtained by the switch at the rear panel (see 6 Fig. 2). This switch is locked in either the 117 V or 234 V position and can be changed by removing the two (2) screws holding the lock bar and putting the switch in the desired position.

### CAUTION

Check to insure radio supply voltage wiring agrees with line voltage before plugging in line cord. NOTE: With the line plug inserted in the AC supply the radio operates from the AC supply, unplugging the line cord will automatically switch the radio to battery operation. To install batteries remove the finger screws and slide cover off toward rear. Install 8 type 'D' dry cells, carefully noting the proper direction to point each cell.

**TURN ON.** Turn the SSR-1 on by turning the volume control (2 in Figure 1) clockwise. This control also adjusts the volume and is used to adjust for the desired sound level.

**MODE SELECTION.** The reception mode AM, CW or SSB is selected by control 4 shown in Figure 1. Select AM position for standard broadcast stations and either USB or LSB for single side band transmission. CW signals are received on either USB or LSB position.

**FREQUENCY TUNING.** Frequency selection is obtained by operating controls 3, 5, 7, and 10 shown in Figure 1.

- a. Turn clarify control (5) to 0.
- b. Select band switch (3) portion to encompass desired frequency.
- c. Turn MHz control (7) to select desired MHz range as read on smaller dial (11).
- d. Tune kHz control (10) to read proper frequency in kHz as read on the larger dial (12).

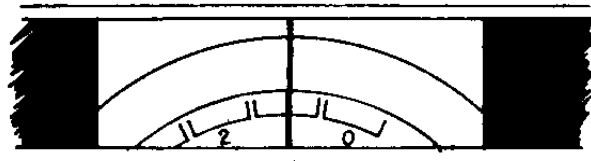
Following this procedure will properly select the desired frequency of reception and by adjusting the pre-selector (9) for maximum signal or noise will tune the receiver for proper reception. Fine adjustment of the MHz control (7) will sometimes increase the sensitivity. When the desired station is heard fine adjustment of the kHz knob (10) may be used to tune in the station for proper reception. The clarifier control (5) may be used for fine tuning a station for good reception. (This control is usually used for proper tuning or SSB or CW signals and is not necessary for AM reception.)



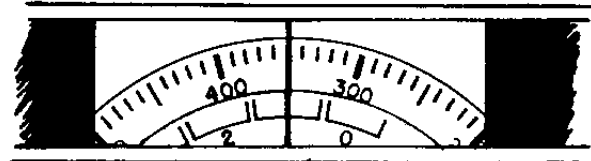
## EXAMPLE

Desired signal is AM at a frequency of 1,350 MHz.

1. Turn receiver on. Adjust Volume Control (2) clockwise.
2. Set Mode Control (3) to AM.
3. Set Clarify Control (5) to 0.
4. Set Band Control (3) to 0.5 - 1.5 position.
5. Set MHz Control (7) to read in center of 1 range shown by small dial (11).



6. Tune kHz Control (10) to read 350 on large dial (12) (350 kHz is the same as .350 MHz.)

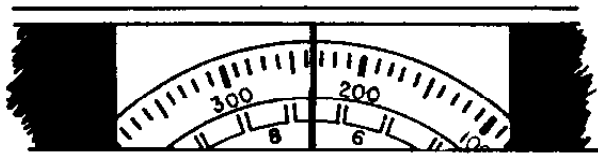


7. Tune Pre-Selector Control (9) for maximum output signal or noise.
8. Fine adjust MHz Control (7) to obtain maximum signal or noise.
9. Fine tune kHz control (10) for proper sound of signal.
10. Desired output level is adjusted by turning Volume Control (2) clockwise for increased volume.

## EXAMPLE

Desired signal is USB at 7,235 MHz.

1. Turn receiver on. Volume Control (2) clockwise.
2. Set Mode Switch (4) to USB.
3. Set Clarify Control (5) to 0.
4. Set Band Control (3) to 5 - 12 position.
5. Set MHz Control (7) to read in center of 7 range shown by small dial (11).
6. Tune kHz Control (10) to read 235 on large dial (12).



7. Tune Pre-Selector Control (9) for maximum output signal or noise.



8. Fine adjust MHz Control (7) to obtain maximum signal or noise.
9. Fine adjust kHz Control (10) for proper sound of signal.
10. Finer adjustment may be made in sound of signal by tuning clarifier control (5).

LSB signals and CW signals are tuned in same manner as described for USB signals. CW signals may be received on either the USB or LSB position of the mode switch (4).

## ANTENNAS

### BUILT-IN ANTENNA

The SSR-1 has a built-in telescoping antenna which is connected at all times and becomes effective when it is extended to its full length. When the built-in antenna is not in use it should be retracted to its shortest length.

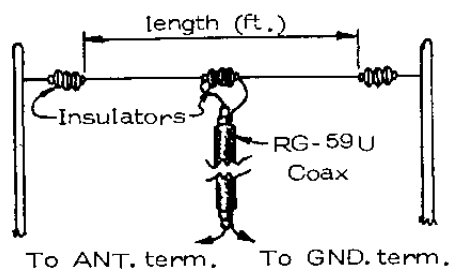
### EXTERNAL ANTENNAS

For optimum performance, the SSR-1 should be used with a good external antenna. There are provisions at the rear of the chassis (see 4 in Fig. 2) for connecting an external antenna for improved reception. A ground terminal is provided for use in circumstances where advantageous.

For general frequency coverage, a long wire antenna 50 to 100 feet long and located as high as possible will give good results. For this purpose, an R. L. Drake Company long wire antenna kit MODEL AN-5 is available from your dealer.

A fundamental form of antenna is a wire whose length is approximately equal to half the signal wavelength. This is known as a dipole antenna. The following formula can be used for simple dipole antennas for reception up to 30 MHz.

$$\text{Wire Length (feet)} = \frac{468}{\text{Freq. (MHz)}}$$



Typical Dipole Antenna. (Erect as High as Possible.)

Further improvement in reception can be realized with the use of more sophisticated antennas. Detailed description of antenna systems may be found in the A.R.R.L. (Amateur Radio Relay League) handbook available at most outlets handling communications equipment such as your SSR-1.

The section on operating hints shows a couple of multi-band antennas that cover popular short wave and amateur bands.



## SPECIFICATIONS

Frequency Coverage: 0.5 to 30 MHz in 30 ranges each tunable over 1 MHz range with a dial having 10 kHz graduations.

Reception Modes: CW, USB, LSB, AM.

Sensitivity: At least 10 dB S+N/N under the following conditions:

<u>MODE</u>	<u>FREQ.</u>	<u>INPUT LEVEL*</u>
SSB	0.5 - 2 MHz	1.0 uV
	2 - 30 MHz	0.3 uV
AM	0.5 - 2 MHz	3.0 uV
	2 - 30 MHz	1.0 uV

(AM: 1000 Hz @ 30% modulation.)

\*These voltages are 1/2 the open circuit signal generator voltage, i.e., the voltage read on the meter of a HP Model 606 Generator.

Output: Capable of 200 mw output on SSB at 2 MHz with input signal of 0.5 uV and 2 Watts output with 5 uV input.

Audio Distortion: Less than 5% @ 2 Watts.

Calibration Accuracy: Within 5 kHz at all frequencies.

Selectivity:

<u>BANDWIDTH</u>	
<u>MODE</u>	<u>-6 dB</u>
SSB	3 kHz $\pm$ 25%
AM	5.5 kHz $\pm$ 25%

Image Rejection: Greater than 50 dB

IF Rejection: Greater than 50 dB @  $f_d$  below 20 MHz.  
Greater than 40 dB @  $f_d$  above 20 MHz.

Antenna: Self contained telescopic whip antenna. External connection to terminal strip. (75 ohm input impedance - unbalanced.)

Audio Output Provisions: Internal 8 Ohm speaker and phone jack on front panel that disables speaker when plugged in.

Muting Provisions: External mute jack (RCA type) that provides normal reception with closed circuit and mute with open circuit connections.

Power Supply: 8 type "D" (1.5 V) dry cell batteries. Tapped transformer to provide operation from 117 V  $\pm$ 15% or 240 V  $\pm$ 10%-20%, 50-60 Hz source with auto-automatic switch over to batteries when AC line is disconnected.



- Current Consumption: Less than 100 ma quiescent at 12 V DC.
- Dial Lights: Momentary push button to light when on battery operation. Always on for AC operation.
- Clarifier: Tunes minimum of  $\pm 2$  kHz and maximum of  $\pm 5$  kHz.
- Size: 13 in. (33 cm) wide, 11 in. (28 cm) deep, 5.5 in. (14 cm) high.
- Weight: 14 lbs. (8.4 kg)

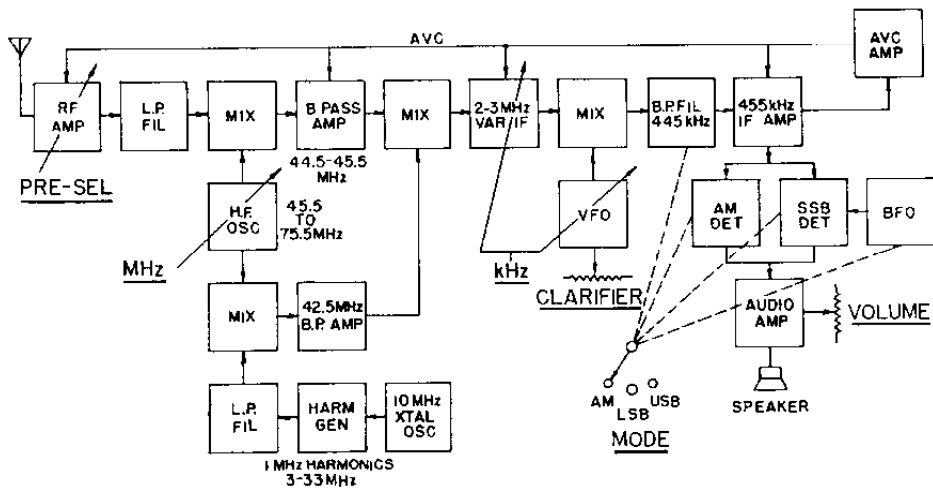


FIG. 3 SSR-1 BLOCK DIAGRAM



### OPERATING NOTES

The following information will be helpful in expanding the use of the SSR-1. Listed are frequencies used by various organizations, mode of operation operating hints, typical antennas, etc.

#### Short Wave Listening (AM Transmissions)

In general most broadcast stations transmit AM (amplitude modulated) signals on the following bands:

<u>MHz Band</u>	<u>Meter Band</u>	<u>Kilohertz</u>
.5-1	187 - 571	525 - 1605
2	120	2300 - 2494
3	90	3200 - 3400
3-9	75	3900 - 4000
4	60	4750 - 5060
6	49	5950 - 6200
7	41	7100 - 7300
9	31	9500 - 9775
11	25	11700 -11975
15	19	15100 -15450
17	16	17700 -17900
21	13	21450 -21750
25	11	25600 -26100

Frequencies are normally referred to as kilohertz or megahertz. Kilohertz is equal to 1000 cycles per second and megahertz is equal to 1000 kilohertz. Sometimes frequency is referred to in meters which is a measure of the wave length. Many modern communications receivers are calibrated only in frequency with no markings in meters.

Formulas equating frequency and wavelength are as follows:

$$\text{Wavelength (m)} = \frac{300000}{\text{Frequency (kHz)}}, \quad \text{Frequency (kHz)} = \frac{300000}{\text{Wavelength (m)}}$$

#### Single Side Band Signals

SSB signals of interest to the general listener occur primarily on the amateur bands and marine bands. The signals found on the Marine bands are either USB or CW while those on the Amateur band may be USB, LSB or CW (occasionally AM). The charts below show frequencies and modes normally used.

<u>Amateur Bands</u>		
<u>Meter Band</u>	<u>Frequency (MHz)</u>	<u>Mode</u>
160	1.8 - 2.0	LSB, CW
80	3.5 - 4.0	LSB, CW
40	7.0 - 7.3	LSB, CW
20	14.0 - 14.35	USB, CW
15	21.0 - 21.45	USB, CW
10	28.0 - 29.7	USB, CW



### Marine Bands

<u>MHz Band</u>	<u>Frequency (MHz)</u>
4	4.063 - 4.438
6	6.20 - 6.525
8	8.195 - 8.815
12	12.33 - 13.20
16	16.46 - 16.917
22	22.0 - 22.72
25	25.01 - 26.16

Marine services may use USB, CW or AM below 4 MHz.

A very popular communications group is the Citizen Band "Class D" operators. They may use either AM or USB. In the United States they operate between 26,965 and 27,255 and are allocated in 23 discrete channels (typically 10 kHz apart).

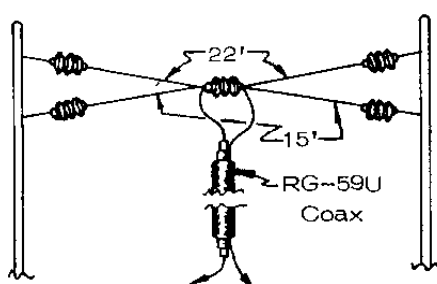
### Time Signals

Radio time signals from various government agencies are continuously receivable in most parts of the world. WWV from the United States broadcasts on 2.5, 5, 10, 15, 20 and 25 MHz. Time stations from England may be heard on 9.35, 12.79 and 13.555 MHz.

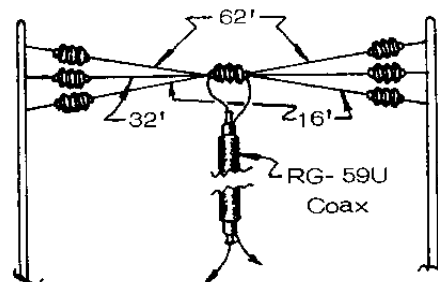
The user will notice a continuous unmodulated signal at each exact multiples of 1 MHz. This is a short coming of this type of receiver design and is not practical to eliminate without making it too expensive for its intended use.

### Simple Multiple Band Antennas

The following antennas may be used effectively for reception of several bands. These should be erected as high as possible and connected to the receiver antenna terminals at rear panel by RG-59/U coax cable.



Simple dipole antenna to cover 9, 11, 15 and 17 MHz international broadcast band.

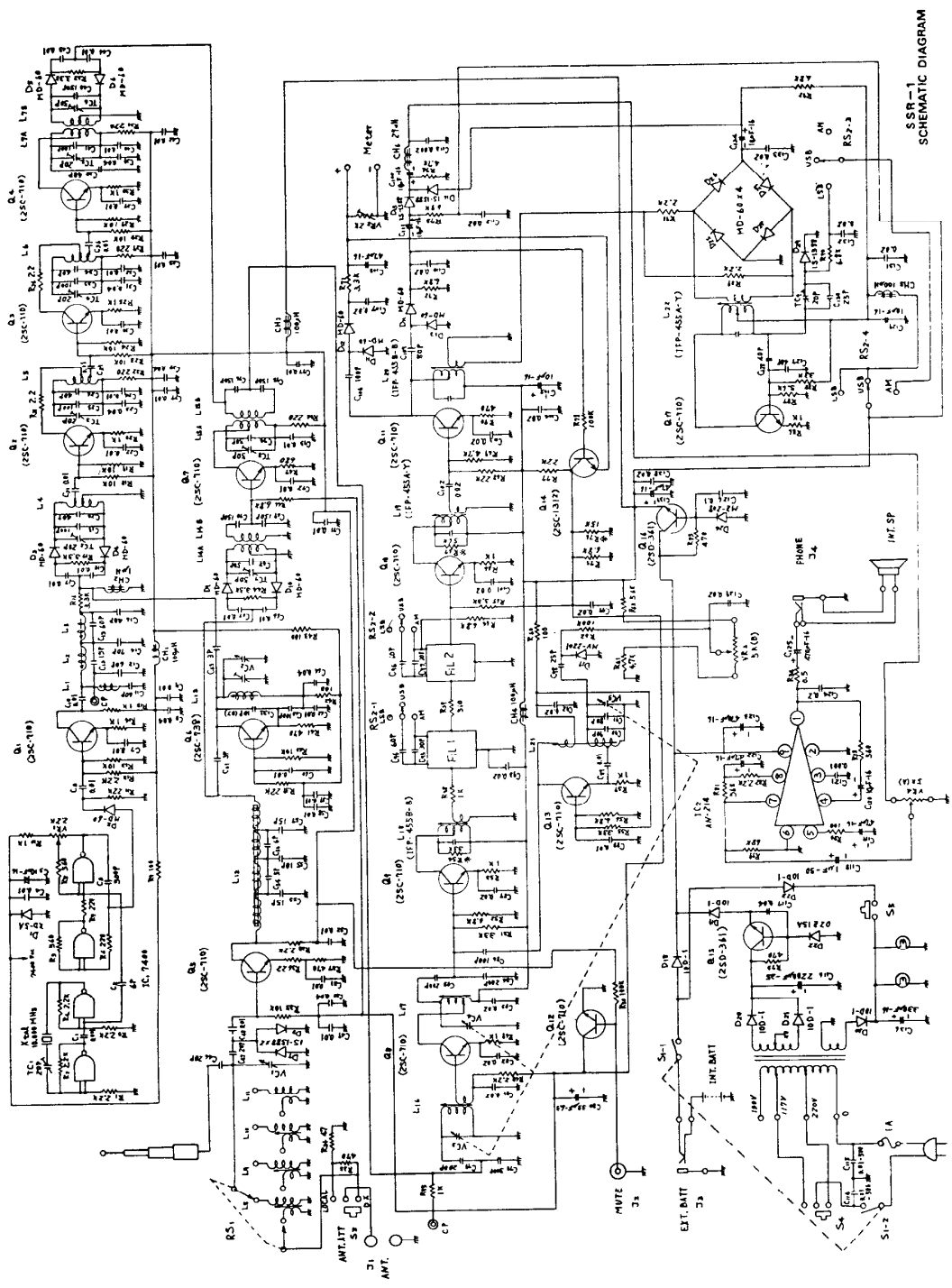


Simple dipole antenna to cover 80, 40, 20 and 15 meter amateur band.



#### SPURIOUS SIGNALS

Occasionally the adjustment of the MHz control (7) will cause a small "birdie" (interfering signal) to appear at the output. This "birdie" may be eliminated by slight adjustment of the MHz control until the "birdie" disappears. The user will notice a continuous unmodulated signal at each exact multiple of 1 Mhz. This is caused by the receiver's internal oscillator and is a shortcoming of the design of this type receiver that would be prohibitively expensive to eliminate. These internal signals are useful in calibration of the internal oscillator by setting its frequency against a time signal. This is performed at the factory. Their signals are also useful to check the accuracy of the KHz dial. With the antenna down and in the USB Mode adjust the clarifier for a zero tone with the KHz dial set at 000 or 1000.



SSP-1 SCHEMATIC DIAGRAM