

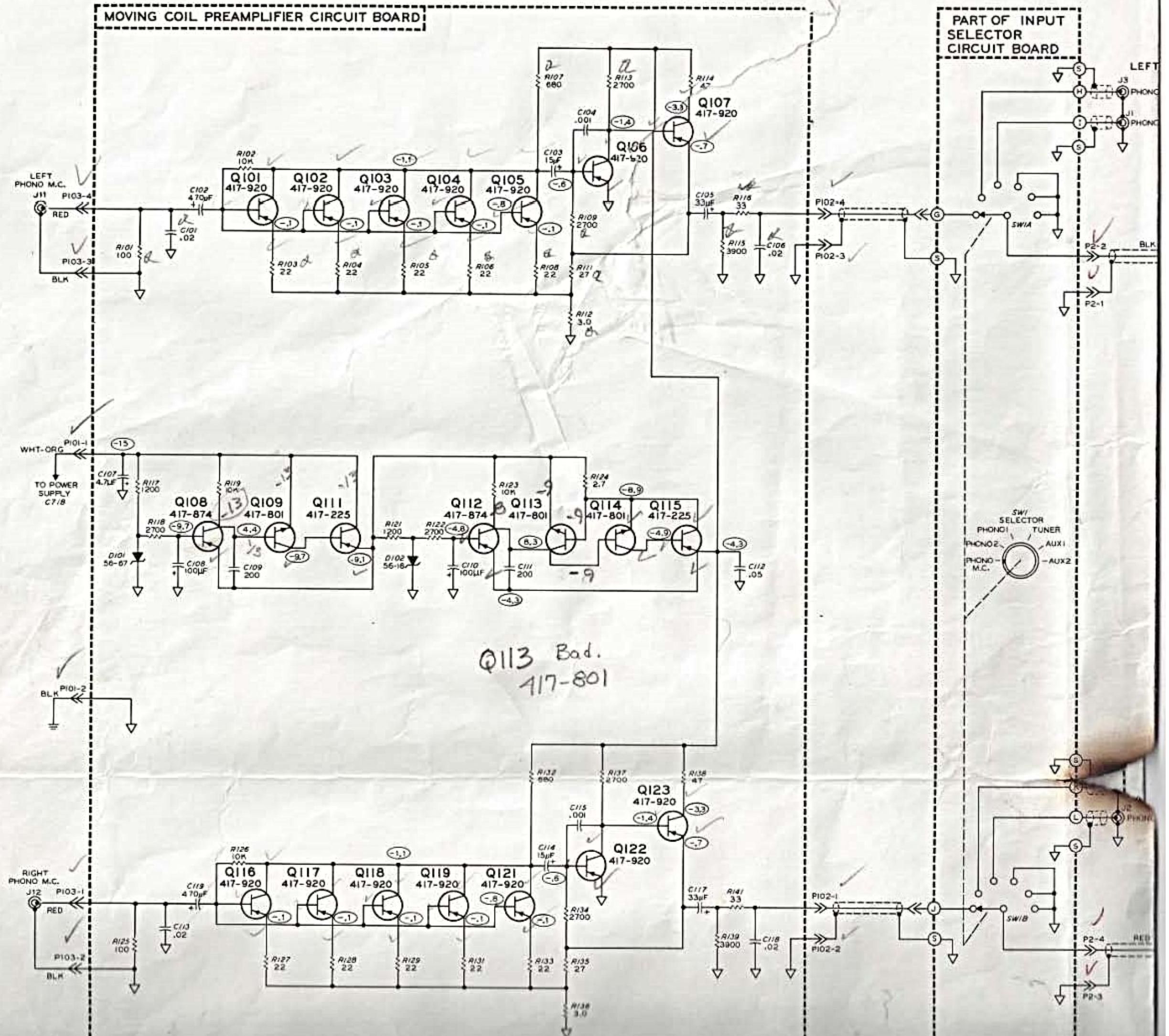
NOTES:

1. COMPONENTS ARE IN THE FOLLOWING GROUP NUMBERS:

- 1-99 PARTS ON CHASSIS AND INPUT SELECTOR CIRCUIT BOARD.
- 101-200 PARTS ON MOVING COIL PREAMPLIFIER CIRCUIT BOARD
- 201-400 PARTS ON MAIN CIRCUIT BOARD
- 401-500 PARTS ON MODE SWITCH CIRCUIT BOARD
- 501-600 PARTS ON CONTROL CIRCUIT BOARD
- 601-700 PARTS ON SPEAKER SELECTOR CIRCUIT BOARD
- 701-800 PARTS ON POWER SUPPLY CIRCUIT BOARD

- 2. ALL RESISTORS ARE 1/4-WATT, 5% TOLERANCE UNLESS MARKED OTHERWISE. RESISTOR VALUES ARE IN OHMS (K=1,000, M=1,000,000).
- 3. ALL CAPACITOR VALUES LESS THAN 1 ARE IN μ F AND ALL CAPACITOR VALUES GREATER THAN 1 ARE IN pF UNLESS MARKED OTHERWISE.
- 4. SWITCHES ARE SHOWN WITH THE PREAMPLIFIER IN THE PHONO M. C., STEREO MODE OF OPERATION.
- 5. DC VOLTAGE MEASUREMENTS WERE TAKEN WITH A HIGH IMPEDANCE INPUT VOLTMETER FROM THE POINT INDICATED TO CHASSIS GROUND. VOLTAGES MAY VARY $\pm 20\%$. LINE VOLTAGE WAS 120 VAC, 60 Hz.
- 6. ALL VOLTAGE MEASUREMENTS WERE MADE UNDER NO SIGNAL CONDITIONS.
- 7. THIS SYMBOL INDICATES A DC VOLTAGE.
- 8. THIS SYMBOL INDICATES A CIRCUIT BOARD GROUND.
- 9. THIS SYMBOL INDICATES A CHASSIS GROUND.
- 10. THIS SYMBOL INDICATES A GROUND INDEPENDENT OF OTHER GROUNDS.
- 11. THIS SYMBOL WITH A NUMBER INDICATES A CONNECTOR PLUG AND PIN CONNECTION. FOR EXAMPLE: P504-6 INDICATES PLUG P504, PIN 6.
- 12. * BUILDERS SELECTED VALUES.
- 13. BALANCE CONTROL WITH WIPER IN BOXED AREA THERE IS NO SIGNAL LOSS.
- 14. PARTS IN SHADED AREAS ARE CRITICAL FOR CONTINUED SAFETY. REPLACE THEM ONLY WITH PARTS OF THE SAME RATING OR WITH THE PROPER HEATH PARTS.

**SCHEMATIC OF THE
HEATHKIT®
MODEL AP-1800
DELUXE PREAMPLIFIER**

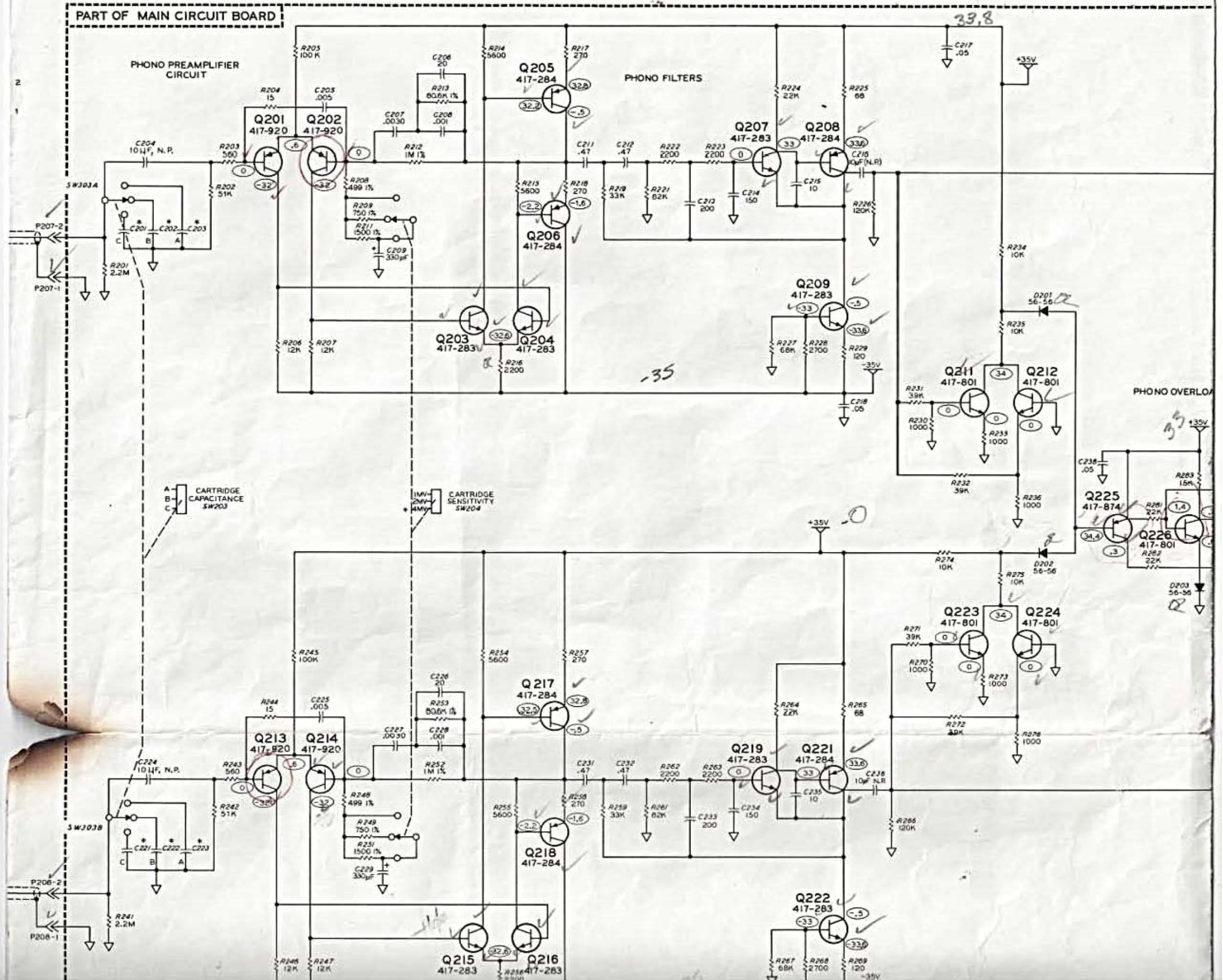


PART OF MAIN CIRCUIT BOARD

PHONO PREAMPLIFIER CIRCUIT

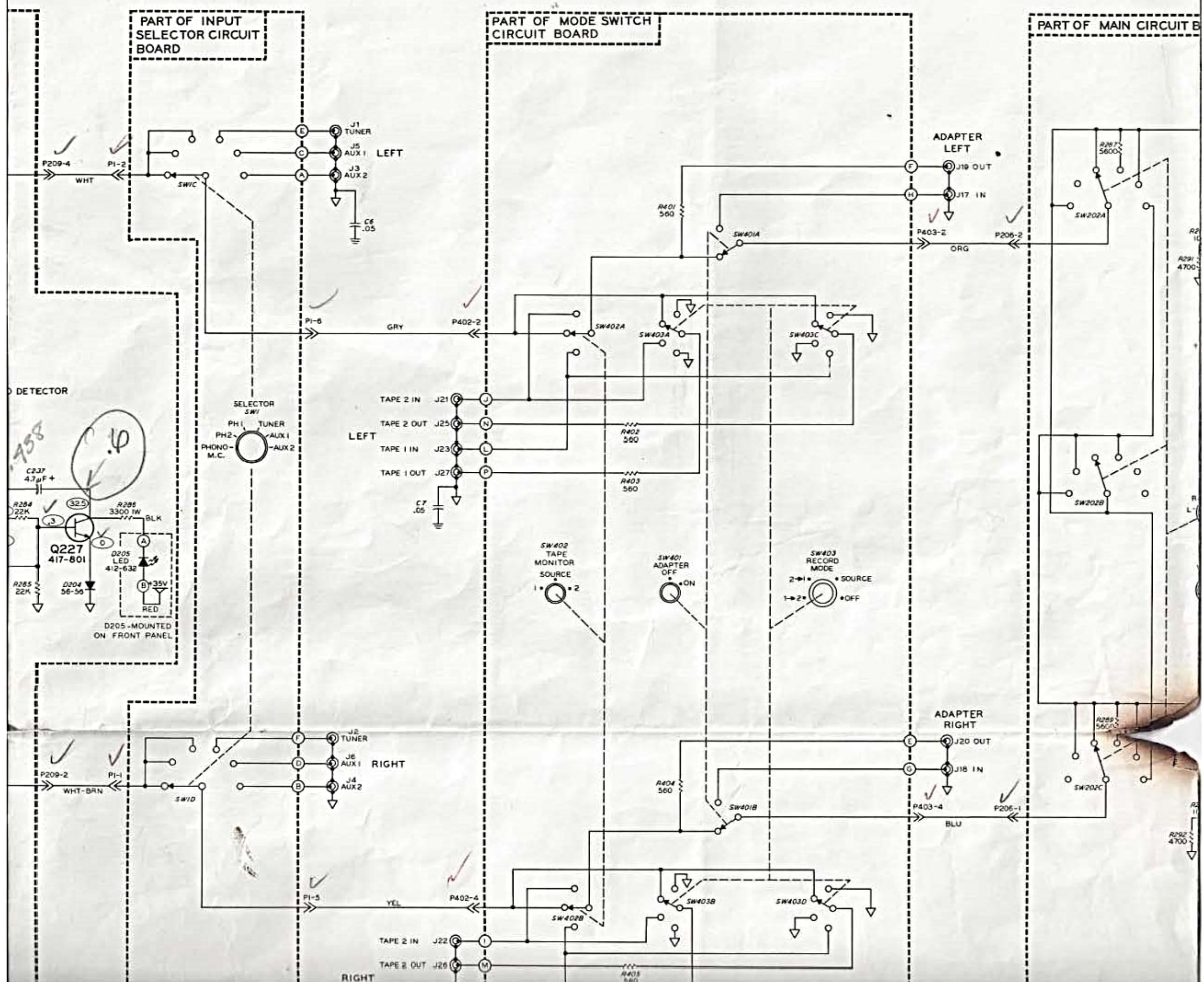
PHONO FILTERS

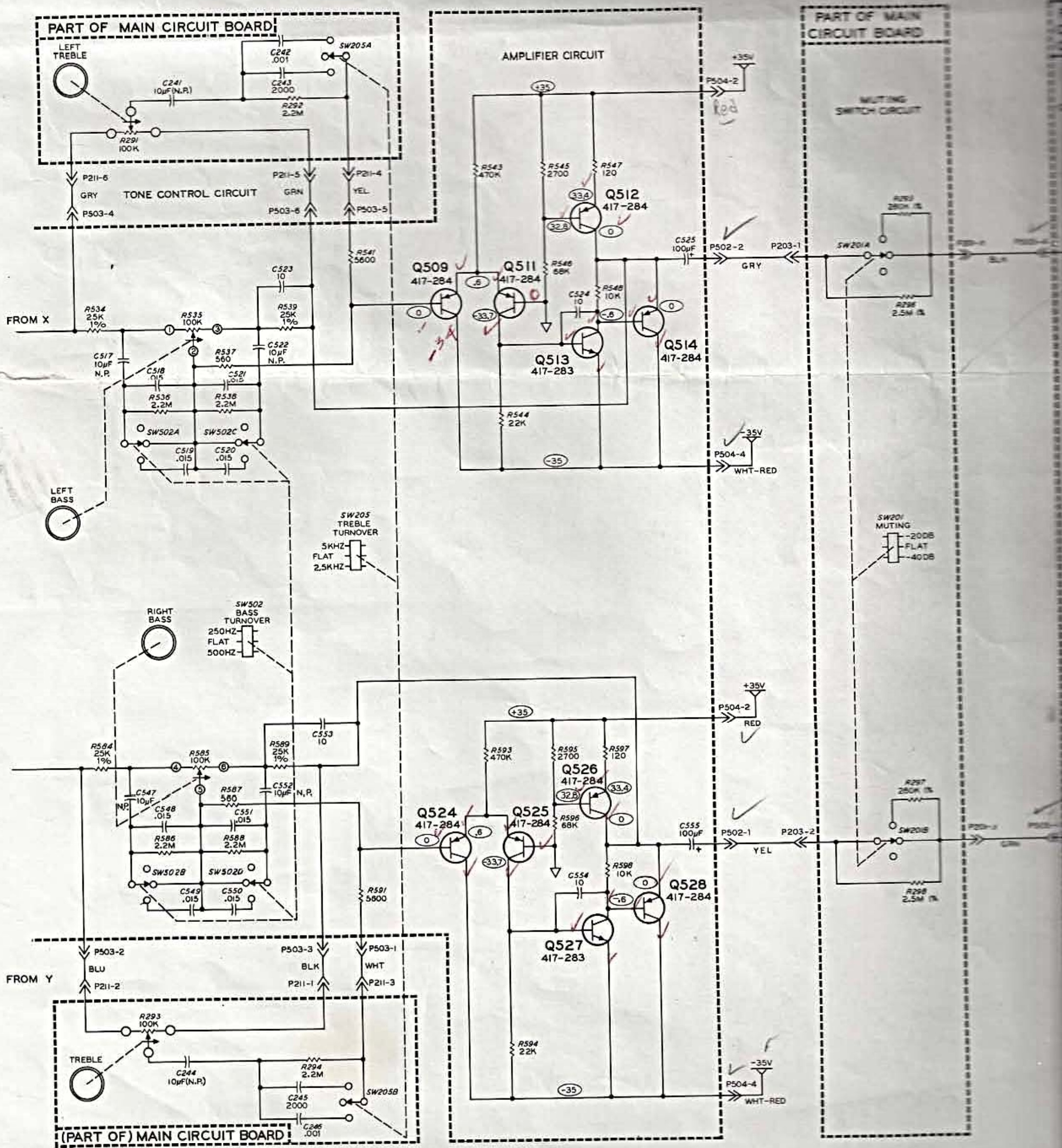
PHONO OVERLOAD

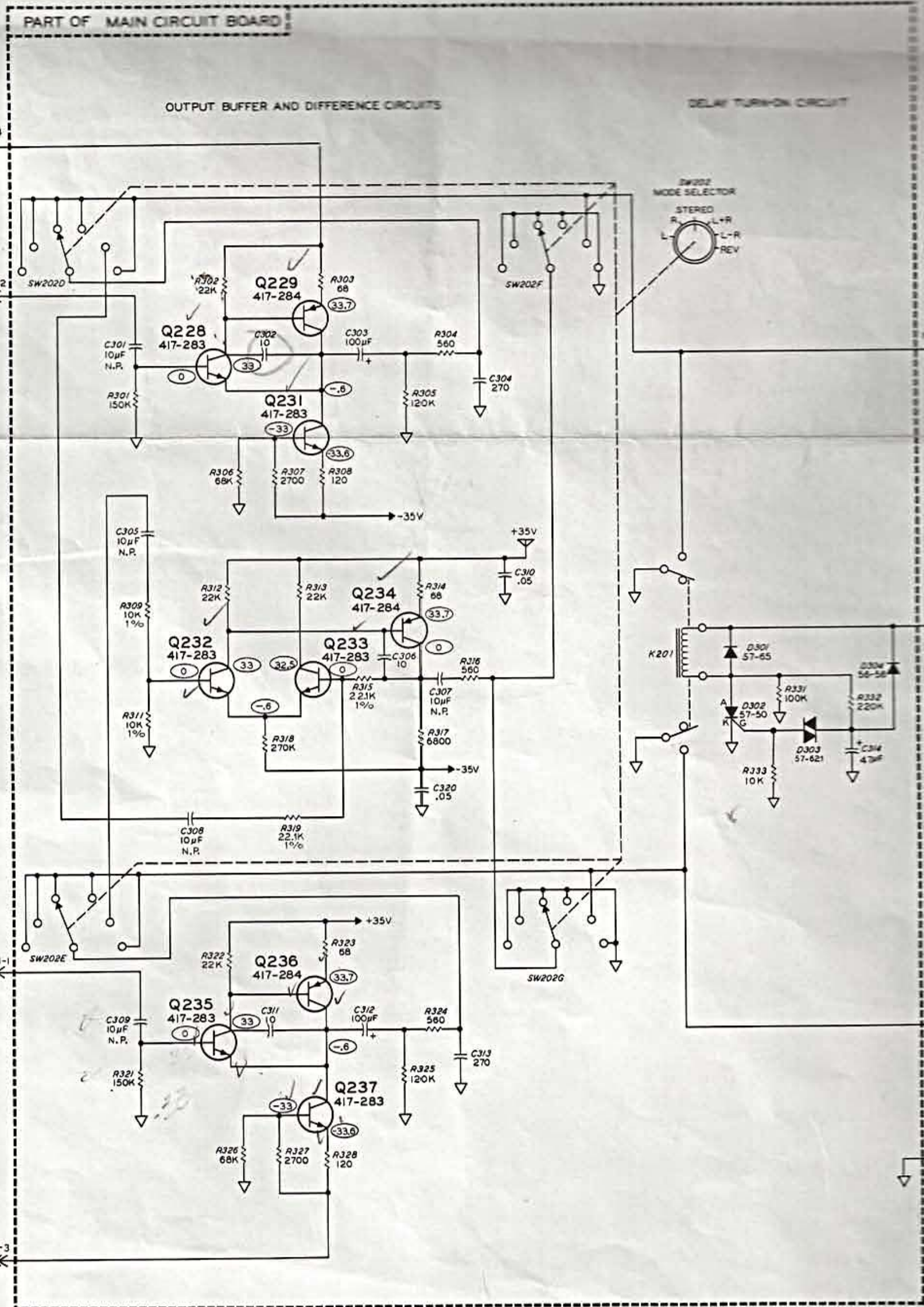


A CARTRIDGE CAPACITANCE SW203

1MV-2MV-4MV CARTRIDGE SENSITIVITY SW204







PART OF CONTROL CIRCUIT BOARD

PART OF MODE SWITCH CIRCUIT BOARD

