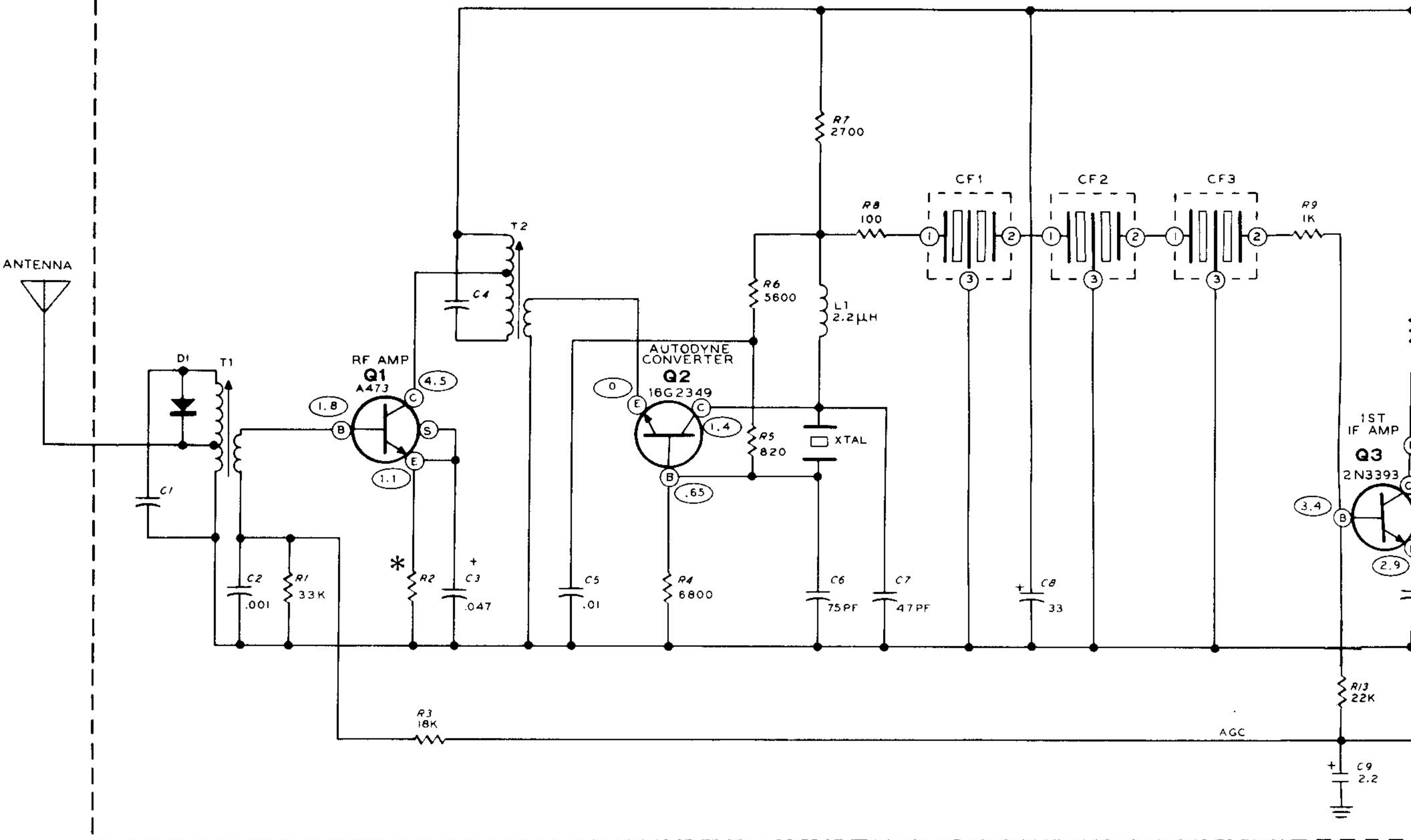


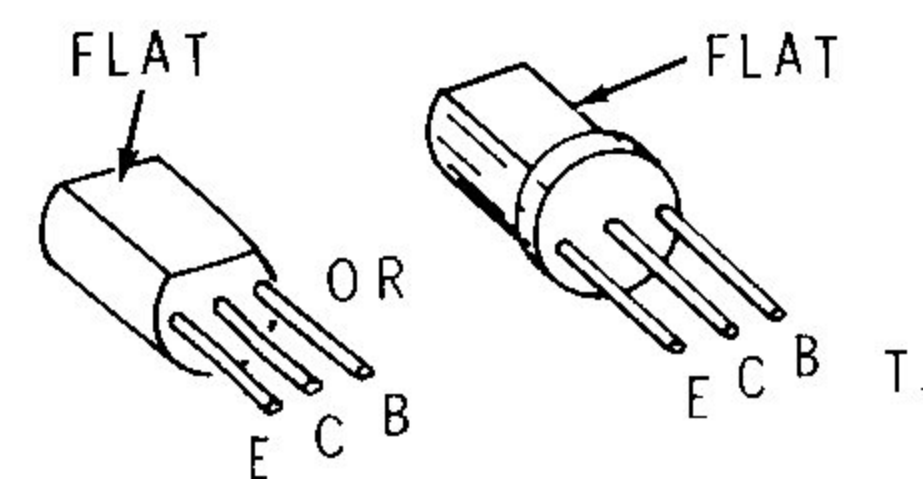
RECEIVER CIRCUIT BOARD



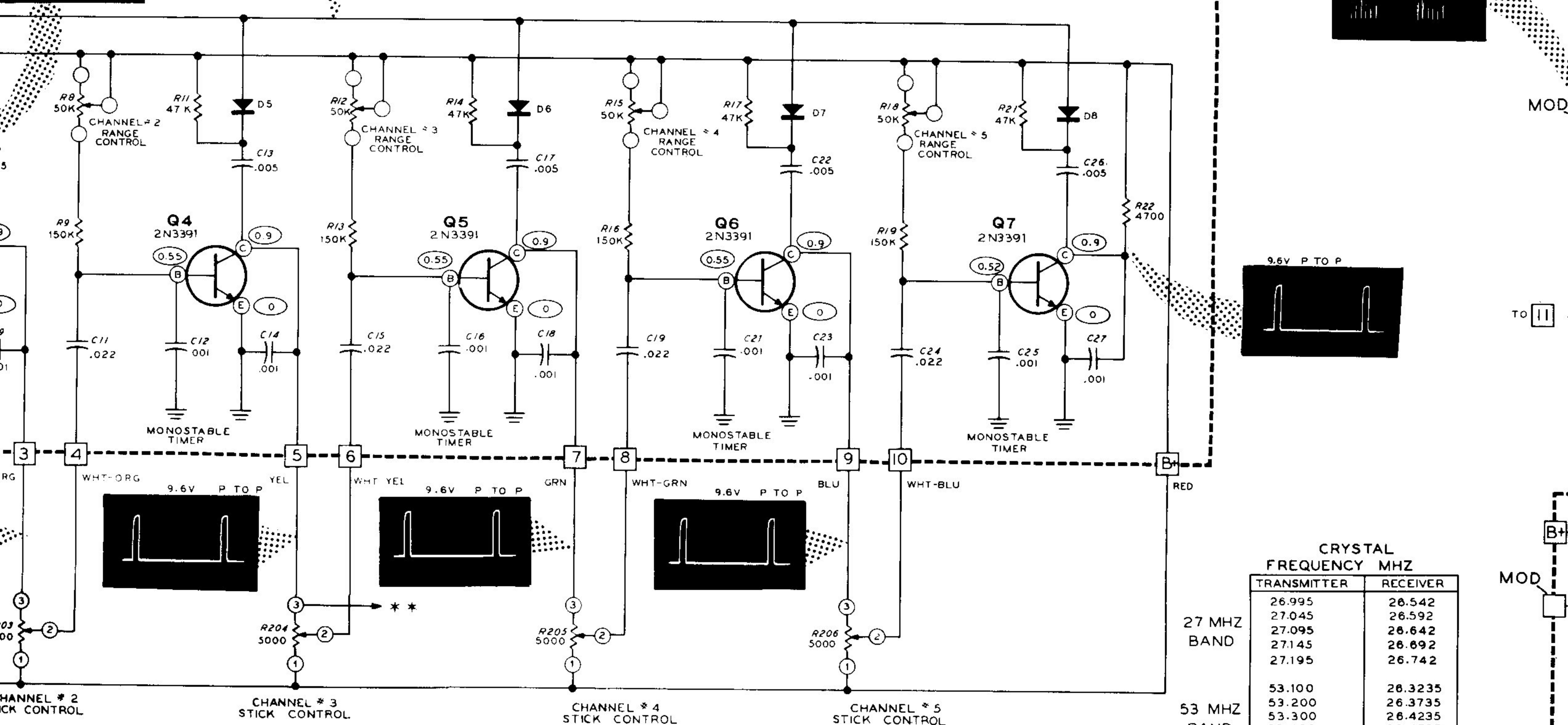
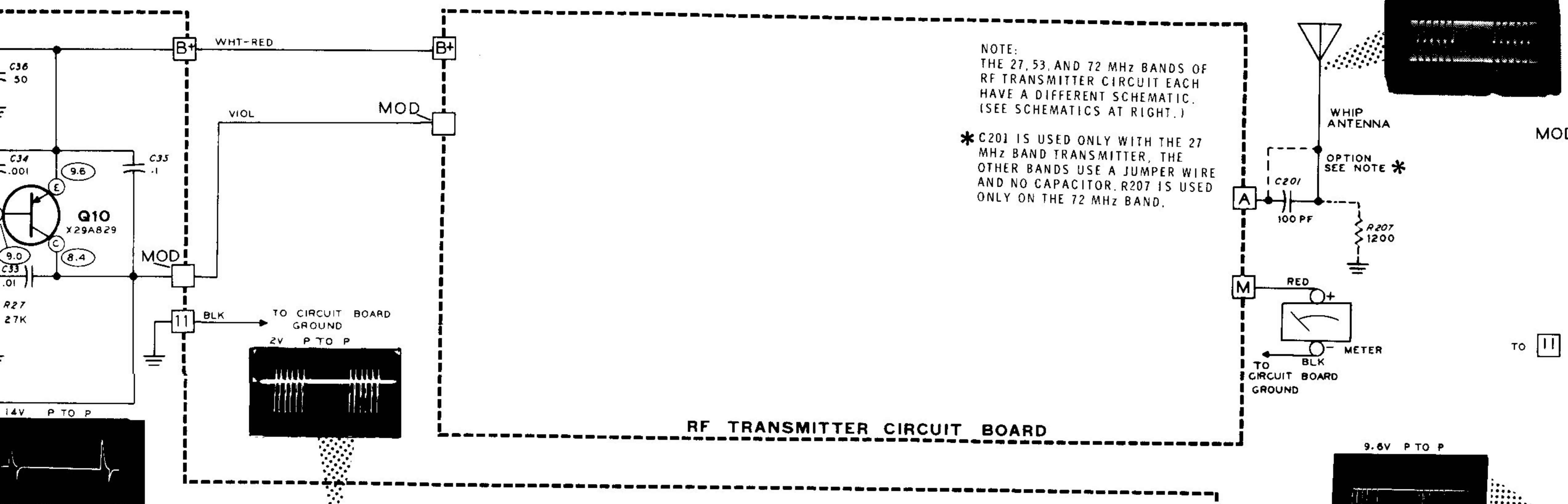
	C1	C4
27 MHZ	47PF	47PF
53- 72 MHZ	27PF	27PF

**SCHEMATIC OF THE  
HEATHKIT®  
DIGITAL 5 PROPORTIONAL RECEIVER  
MODEL GDA-19-2**

1. RESISTOR AND CAPACITOR VALUES IN CIRCLES INDICATE PARTS MOUNTED WITH SIGNAL BEING RECEIVED.
2. ALL RESISTORS ARE 1/4 WATT. VALUES ARE IN OHMS (K = KILOHMS).
3. ALL CAPACITOR VALUES ARE IN PICO FARADS (PF = PICO FARADS).
4. ○ THIS SYMBOL INDICATES PARTS MOUNTED WITH SIGNAL BEING RECEIVED.
5. □ THIS SYMBOL INDICATES PARTS MOUNTED WITH SIGNAL BEING RECEIVED.
6. ALL VOLTAGES ARE MEASURED FROM THE POINT INDICATED BY THE NUMBER.
7. REFER TO THE CIRCUIT BOARD FOR THE LOCATION OF PARTS.
8. \* 470Ω RESISTOR FOR 53 MHZ OR 72 MHZ OPERATION.



16G2349  
2N3393  
X29A826  
2N5232A



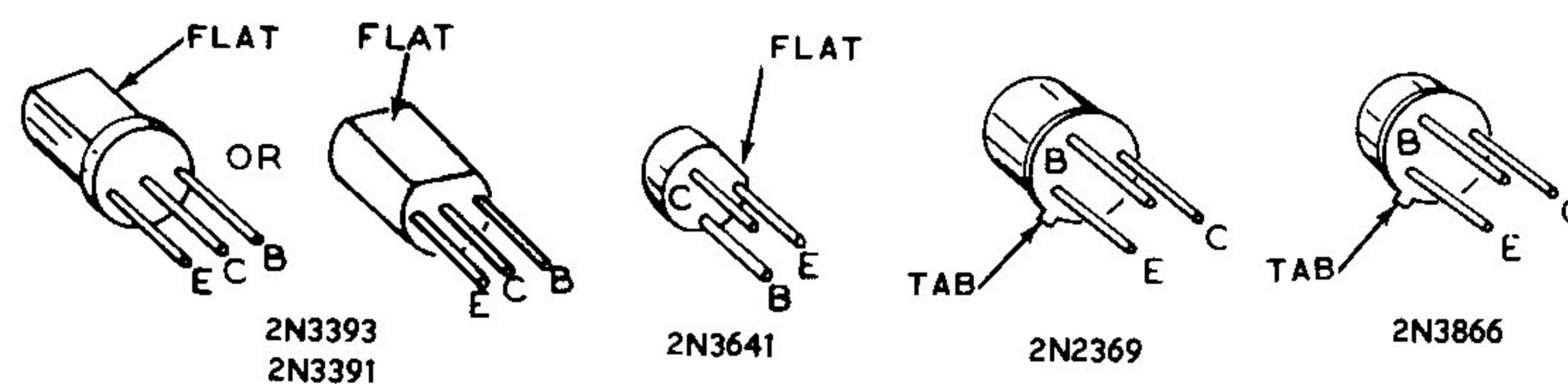
NUMBERS ARE IN THE FOLLOWING GROUPS:

1. VOLTAGES INDICATED ON THE ENCODER CIRCUIT BOARD.  
2. VOLTAGES INDICATED ON THE RF TRANSMITTER CIRCUIT BOARD.  
3. VOLTAGES INDICATED ON THE CHASSIS.

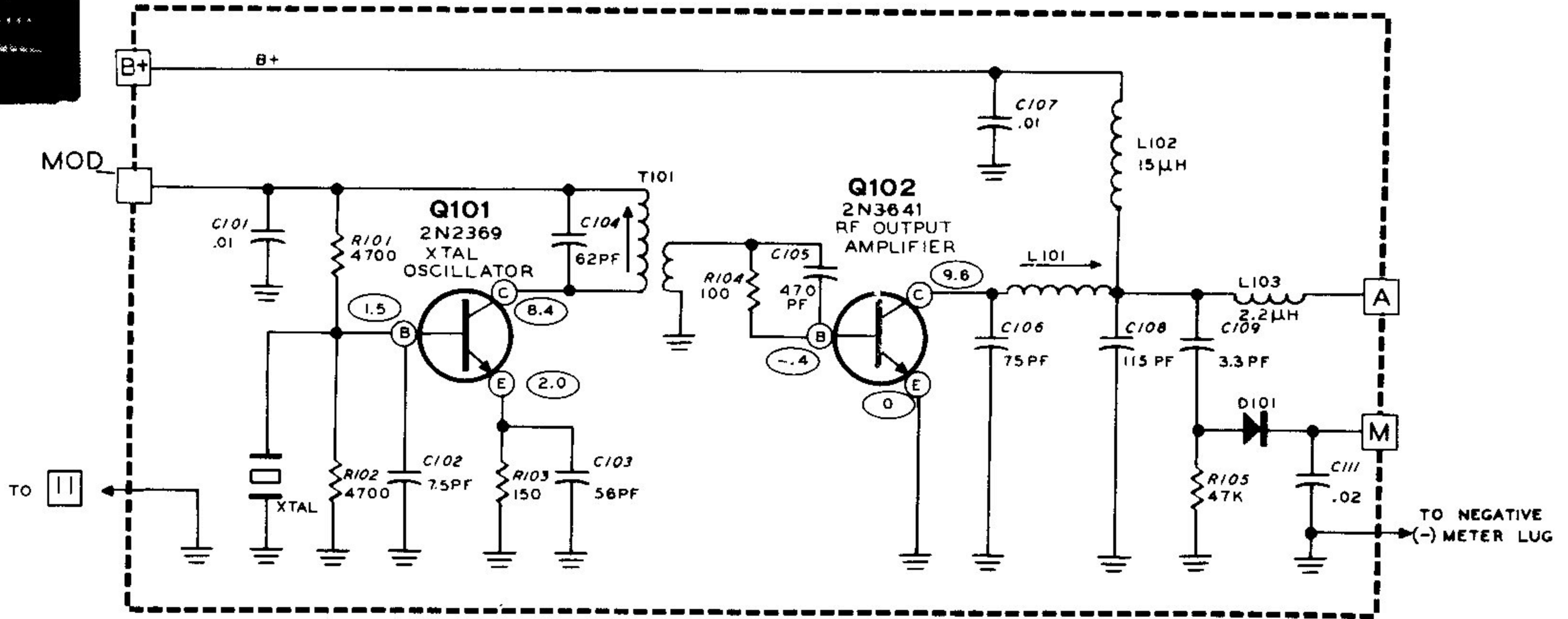
4. VOLTAGES IN  $\mu$ F UNLESS MARKED OTHERWISE. RESISTOR VALUES

5. VOLTAGES IN  $\mu$ F UNLESS MARKED OTHERWISE.

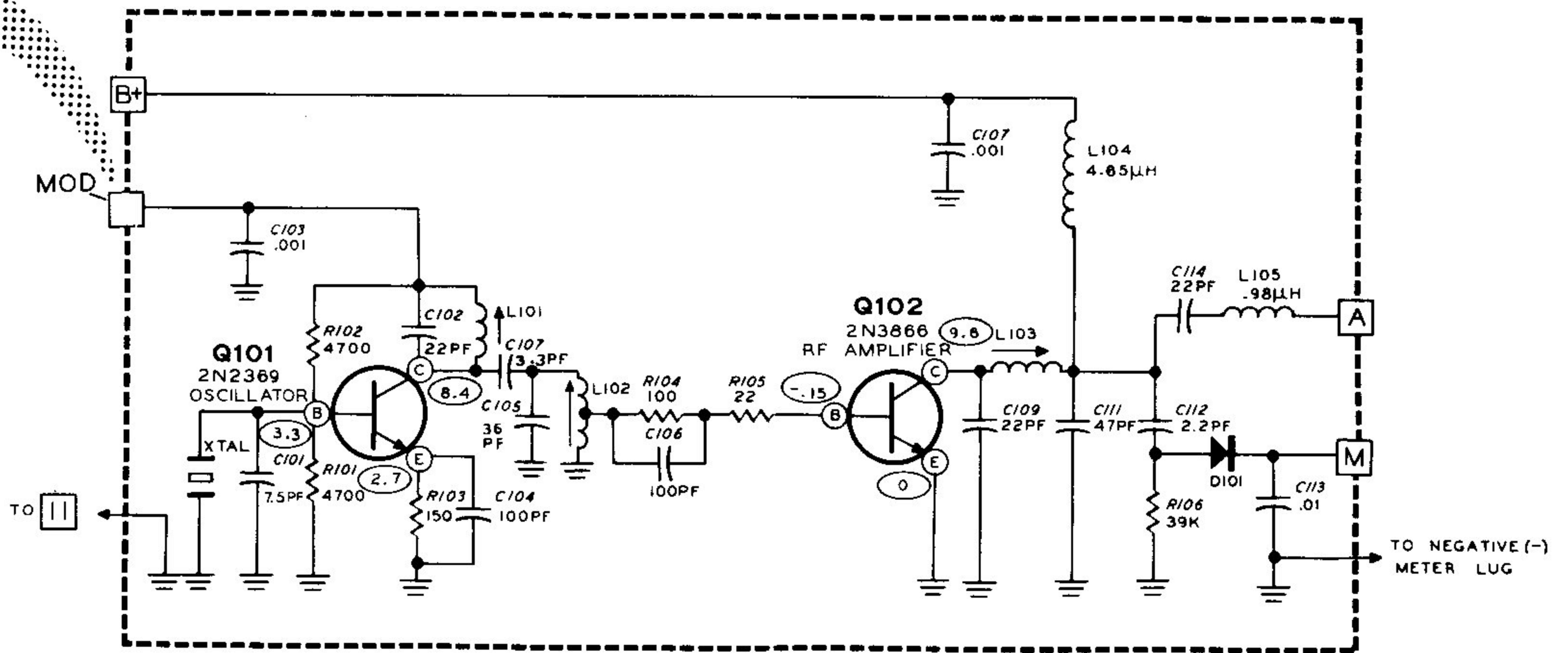
- THIS SYMBOL INDICATES A POSITIVE DC VOLTAGE MEASUREMENT, TAKEN WITH A HIGH IMPEDANCE VOLT METER, FROM THE POINT INDICATED TO CHASSIS GROUND. VOLTAGES MAY VARY  $\pm 20\%$ .
- REFER TO THE CHASSIS PHOTOGRAPHS AND CIRCUIT BOARD X-RAY VIEWS FOR THE PHYSICAL LOCATION OF PARTS.



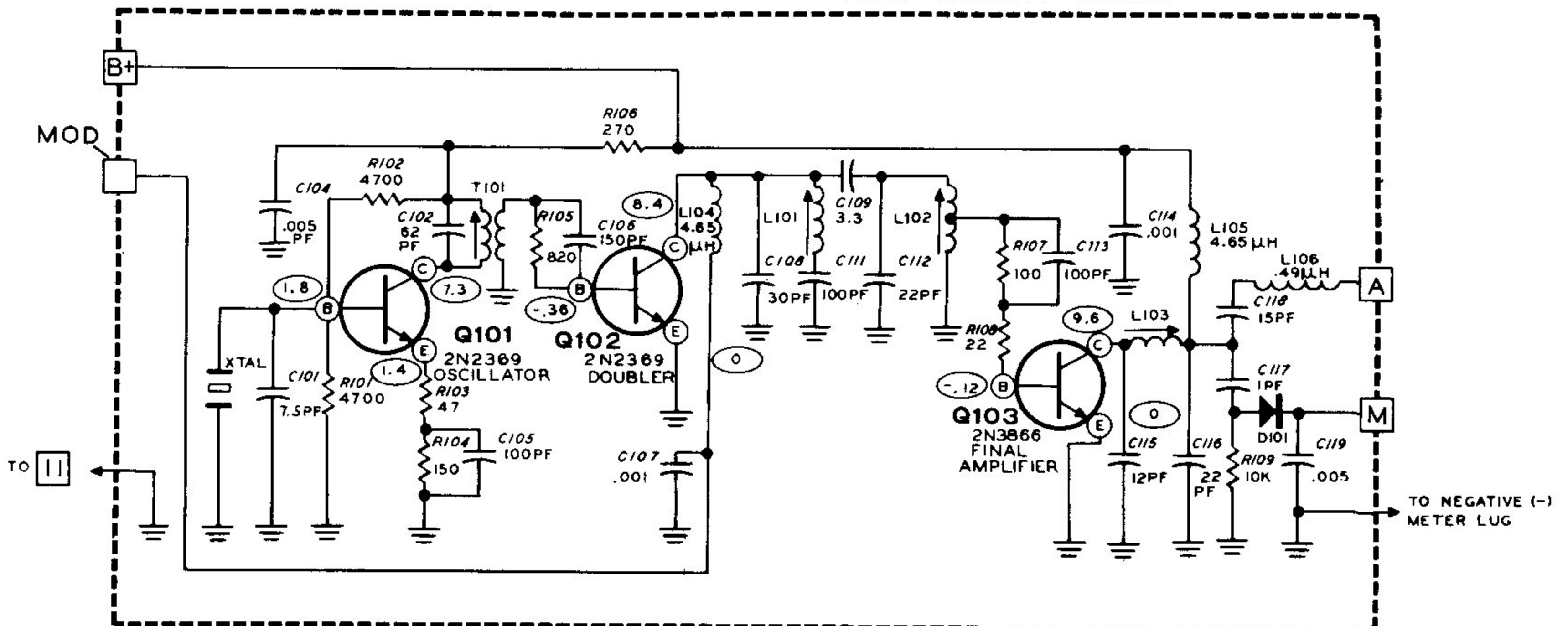
### 27 MHz BAND - RF TRANSMITTER CIRCUIT BOARD



### 53 MHz BAND - RF TRANSMITTER CIRCUIT BOARD



### 72 MHz BAND - RF TRANSMITTER CIRCUIT BOARD



RECEIVER

26.542
26.592
26.642
26.692
26.742
26.3235
26.3735
26.4235
26.4735
26.5235
26.2665
26.3465
26.4265
26.7065
27.5935